



Submittal Data Sheet: WMMS-30CH-V2B(59)2

OUTDOOR UNIT



WMMS-30CH-V2B(59)2
1 to 2 zones

ACCESSORIES

- MOUNTING BRACKETS
- FOOT RISERS
- COPPER/WIRE/ACC.SET
- LINESET COVERS
- WINTER WIND BAFFLE

Job Name:		Tag #:	
Location		Date:	
Engineer:		Approval:	
Submitted to:		Unit #:	
Submitted by:		Drawing #:	
Reference		PO #:	

The CHOIR outdoor condensing unit has a 16 SEER rating. With a 30k Btu/h capacity and capable of heating and cooling 1 to 2 zones. The CHOIR requires 208-230 volt, 1 phase, 60Hz power. Refrigerant is pumped as a thermal medium to disperse heat into ambient air in the summer; while absorbing heat from ambient air in the winter. The compact design allows for ground installation, or mounting in a variety of discreet locations, including on a wall, under a deck or a balcony.

Model Number		WMMS-30CH-V2B(59)2	
Number of Zones			1 to 2
Power Supply			208-230/1/60
Cooling Capacity*	Max. Allowed IDU Capacity Total	Btu/h	30,000
	Rated 1	Btu/h	18,000
	Min	Btu/h	7,200
Total Power Input in Cooling Mode*	Max.	W	2300
	Rated	W	1550
	Min.	W	650
SEER			16
HSPF			8.2
Heating Capacity* (Btu/h)	Max. IDU Cap. Total 2	Btu/h	32,000
	Rated 1	Btu/h	19,000
	Min.	Btu/h	6,500
Total Power Input in Heating Mode*	Max.		2400
	Rated		1750
	Min.		650
Compressor Oil			/ FV50S /
L.R.A.		A	27
Compressor RLA		A	8.4
Compressor Power Input		W	1245
MCA		A	15
Fuse or Circuit Breaker (HVAC Type)		A	30
Throttling Method			Electronic Expansion Valve
Starting Method			Transducer starting
Recommended Working Ambient Temp Ranges		°F	AC: 20 to 115 HP: 5 to 75
Condenser			Aluminum fin-copper tube
Output of Fan Motor (W)		W	60
Fan Motor RLA		A	0.65
Fan Motor Capacitor		uF	3
Fan Type-Piece			Axial fan 1
Fan Diameter (Inches)		inches	18.1
Defrosting Method			Auto Defrost
Isolation			I
Moisture Protection			IP24
Max. Operating Pressure at High Side		PSI	550
Max. Operating Pressure at Low Side		PSI	175
Sound Pressure Level (H / L)		dB(A)	56 / 54
Sound Power Level (H / L)		dB(A)	66 / 64

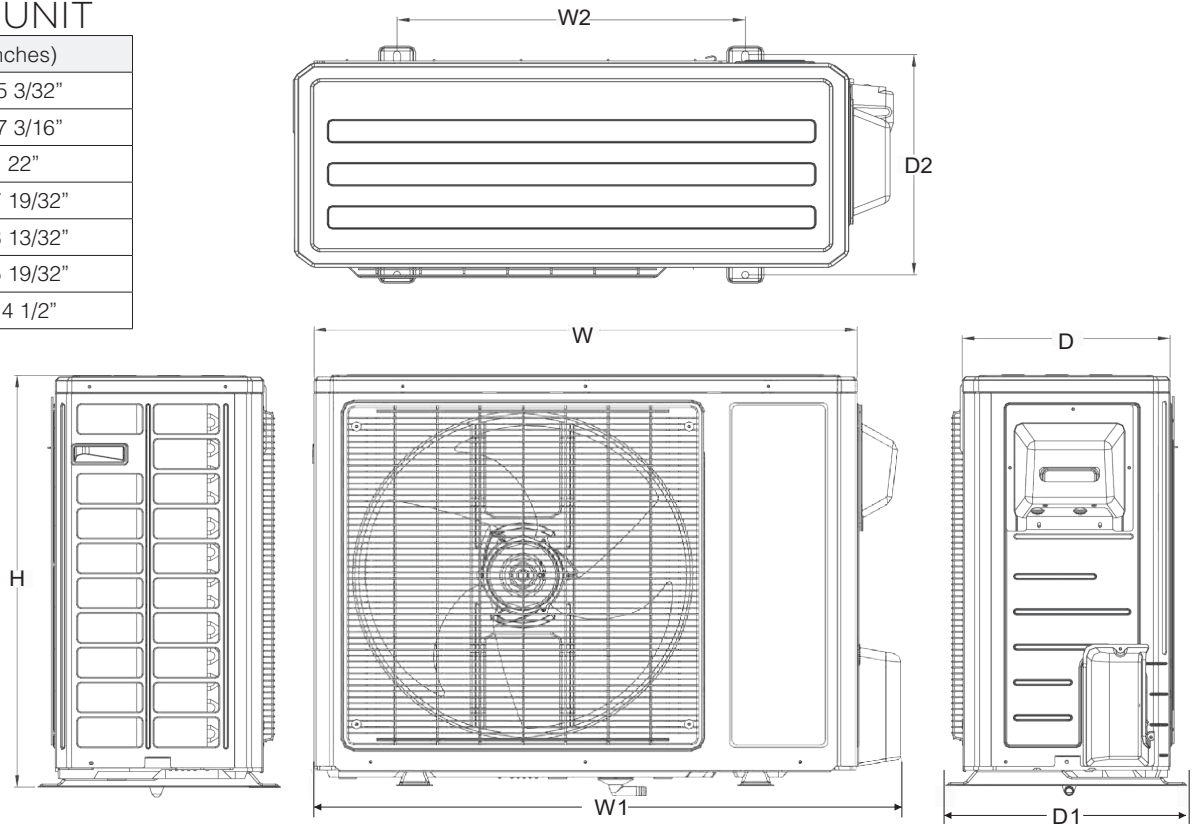
Outdoor Unit Models		WMMS-30CH-V2B(59)2	
Connection Pipes			
R410A Refrigerant Factory Pre-Charge for 25'	lbs.	2.97	
Additional Refrigerant Charge	oz/ft.	0.23	
Liquid Valve Size	inches	2 x 1/4"	
Gas Valve Size	inches	2 x 3/8"	
Dimensions & Weight Outdoor Unit			
Dimensions (W x H x D)	inches	35.1 x 27.6 x 13.4	
Net Weight /Gross Weight	lbs.	115 / 126	



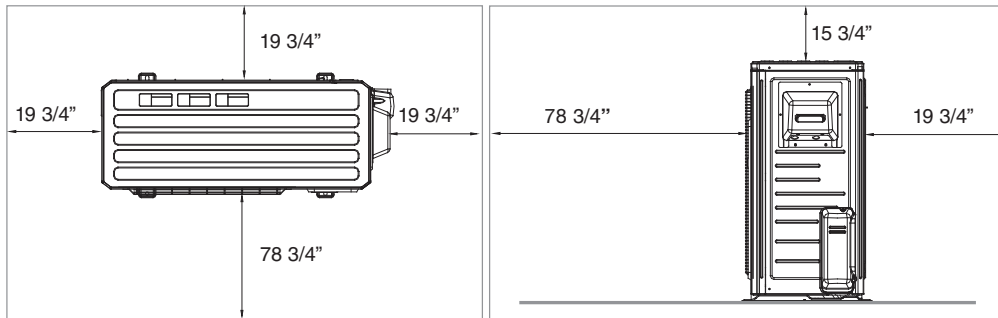
Submittal Data Sheet: WMMS-30CH-V2B(59)2

OUTDOOR UNIT

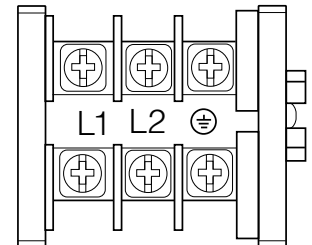
Dimensions (inches)	
W	35 3/32"
W1	37 3/16"
W2	22"
H	27 19/32"
D	13 13/32"
D1	15 19/32"
D2	14 1/2"



CLEARANCES



TERMINAL BLOCK



FEATURES

- 208-230/1/60 power input
- Quiet and efficient heating & cooling.
- DC Inverter technology
- Wide working ambient temperature ranges
- Compact outdoor unit with side discharge
- Outdoor unit ships pre-charged.
- High quality compressors
- Durable powder coated cabinet
- Standard flare brass connection valves
- Built to ETL/UL/CSA/AHRI standards
- Easy installation and maintenance

YMGI Group
 601 Arrow Ln, O'Fallon, Missouri 63366
 Phone: 1-866-833-3138
 Fax: 1-866-377-3355
 ymgigroup.com

Sales Representative or Distributor: