



Submittal Data Sheet: WMMS-48CH-V2B(59)2

OUTDOOR UNIT



WMMS-48CH-V2B(59)2
2 to 4 zones

ACCESSORIES

- MOUNTING BRACKETS
- FOOT RISERS
- COPPER/WIRE/ACC.SET
- LINESET COVERS
- WINTER WIND BAFFLE

Job Name:		Tag #:	
Location		Date:	
Engineer:		Approval:	
Submitted to:		Unit #:	
Submitted by:		Drawing #:	
Reference		PO #:	

The CHOIR outdoor condensing unit has a 16 SEER rating. With a 48k Btu/h capacity and capable of heating and cooling 1 to 4 zones. The CHOIR requires 208-230 volt, 1 phase, 60Hz power. Refrigerant is pumped as a thermal medium to disperse heat into ambient air in the summer; while absorbing heat from ambient air in the winter. The compact design allows for ground installation, or mounting in a variety of discreet locations, including on a wall, under a deck or a balcony.

Model Number		WMMS-48CH-V2B(59)2	
Number of Zones		2 to 4	
Power Supply		208-230/1/60	
Cooling Capacity*	Max. Allowed IDU Capacity Total	Btu/h	48,000
	Rated 1	Btu/h	30,000
	Min	Btu/h	10,000
Total Power Input in Cooling Mode*	Max.	W	4500
	Rated	W	2600
	Min.	W	1000
SEER		16	
HSPF		8.2	
Heating Capacity* (Btu/h)	Max. IDU Cap. Total 2	Btu/h	59,000
	Rated 1	Btu/h	33,000
	Min.	Btu/h	9,000
Total Power Input in Heating Mode*	Max.		3500
	Rated		2920
	Min.		1000
Compressor Oil		/ FV50S /	
L.R.A.		A	45
Compressor RLA		A	10
Compressor Power Input		W	2200
MCA		A	30-All IDUs EW / 40-All IDUs EC or EU
Fuse or Circuit Breaker (HVAC Type)		A	40-All IDUs EW / 50-All IDUs EC or EU
Throttling Method		Electronic Expansion Valve	
Starting Method		Transducer starting	
Recommended Working Ambient Temp Ranges		°F	AC: 20 to 115 HP: 5 to 75
Condenser		Aluminum fin-copper tube	
Output of Fan Motor (W)		W	60
Fan Motor RLA		A	0.65
Fan Motor Capacitor		uF	3.5
Fan Type-Piece		Axial fan 1	
Fan Diameter (Inches)		inches	18.1
Defrosting Method		Auto Defrost	
Isolation		I	
Moisture Protection		IP24	
Max. Operating Pressure at High Side		PSI	550
Max. Operating Pressure at Low Side		PSI	175
Sound Pressure Level (H / L)		dB(A)	56 / 54
Sound Power Level (H / L)		dB(A)	66 / 64

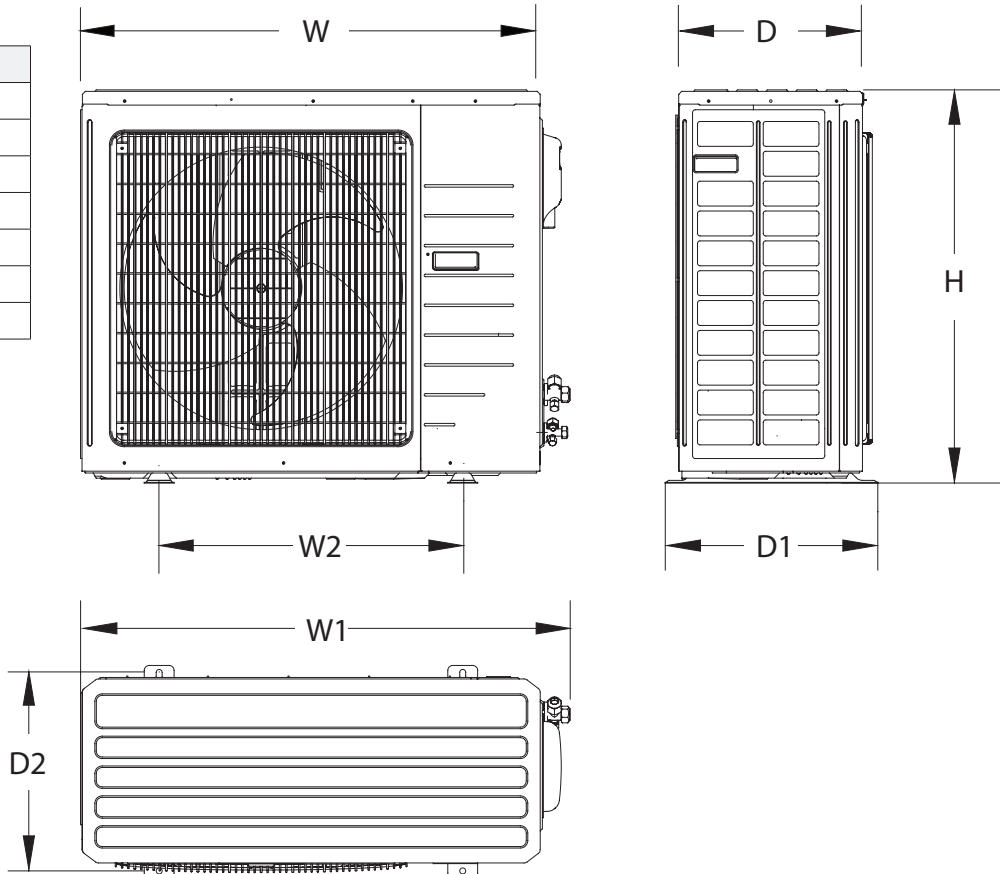
Outdoor Unit Models		WMMS-48CH-V2B(59)2	
Connection Pipes			
R410A Refrigerant Factory Pre-Charge for 25'	lbs.	6.39	
Additional Refrigerant Charge	oz/ft.	0.23	
Liquid Valve Size	inches	3 x 1/4" 1 x 3/8"	
Gas Valve Size	inches	2 x 3/8" 1 x 5/8" 1 x 1/2"	
Dimensions & Weight Outdoor Unit			
Dimensions (W x H x D)	inches	37.4 x 31.31 x 15.75	
Net Weight /Gross Weight	lbs.	165 / 176	



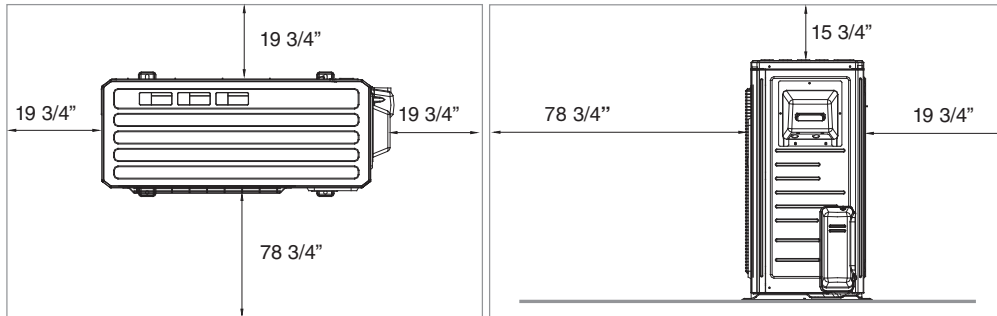
Submittal Data Sheet: WMMS-48CH-V2B(59)2

OUTDOOR UNIT

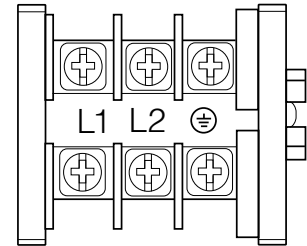
Dimensions (inches)	
W	36 5/8"
W1	38 1/2"
W2	24"
H	31 5/16"
D	14 3/4"
D1	16 7/8"
D2	15 3/4"



CLEARANCES



TERMINAL BLOCK



FEATURES

- 208-230/1/60 power input
- Quiet and efficient heating & cooling.
- DC Inverter technology
- Wide working ambient temperature ranges
- Compact outdoor unit with side discharge
- Outdoor unit ships pre-charged.
- High quality compressors
- Durable powder coated cabinet
- Standard flare brass connection valves
- Built to ETL/UL/CSA/AHRI standards
- Easy installation and maintenance

YMGI Group
 601 Arrow Ln, O'Fallon, Missouri 63366
 Phone: 1-866-833-3138
 Fax: 1-866-377-3355
 ymgigroup.com

Sales Representative or Distributor: