



## Submittal Data Sheet: WMMS-60CH-V2B(59)2

### OUTDOOR UNIT



**WMMS-60CH-V2B(59)2**  
2 to 5 zones

### ACCESSORIES

- MOUNTING BRACKETS
- FOOT RISERS
- COPPER/WIRE/ACC.SET
- LINESET COVERS
- WINTER WIND BAFFLE

Job Name:		Tag #:	
Location		Date:	
Engineer:		Approval:	
Submitted to:		Unit #:	
Submitted by:		Drawing #:	
Reference		PO #:	

The CHOIR outdoor condensing unit has a 16 SEER rating. With a 72k Btu/h capacity and capable of heating and cooling 2 to 5 zones. The CHOIR requires 208-230 volt, 1 phase, 60Hz power. Refrigerant is pumped as a thermal medium to disperse heat into ambient air in the summer; while absorbing heat from ambient air in the winter. The compact design allows for ground installation, or mounting in a variety of discreet locations, including on a wall, under a deck or a balcony.

Model Number		WMMS-60CH-V2B(59) 2	
Number of Zones			2 to 5
Power Supply			208-230/1/60
Cooling Capacity*	Max. Allowed IDU Capacity Total	Btu/h	60,000
	Rated 1	Btu/h	42,000
	Min	Btu/h	12,000
Total Power Input in Cooling Mode*	Max.	W	5100
	Rated	W	3950
	Min.	W	1200
SEER			16
HSPF			8.2
Heating Capacity* (Btu/h)	Max. IDU Cap. Total 2	Btu/h	64,000
	Rated 1	Btu/h	46,000
	Min.	Btu/h	10,000
Total Power Input in Heating Mode*	Max.		4800
	Rated		4400
	Min.		1200
Compressor Oil			/ FV50S /
L.R.A.		A	55
Compressor RLA		A	13
Compressor Power Input		W	3000
MCA		A	40
Fuse or Circuit Breaker (HVAC Type)		A	40-All IDUs EW / 50-All IDUs EC or EU
Throttling Method			Electronic Expansion Valve
Starting Method			Transducer starting
Recommended Working Ambient Temp Ranges		°F	AC: 20 to 115 HP: 5 to 75
Condenser			Aluminum fin-copper tube
Output of Fan Motor (W)		W	140
Fan Motor RLA		A	1.1
Fan Motor Capacitor		uF	6
Fan Type-Piece			Axial fan 1
Fan Diameter (Inches)		inches	22.5
Defrosting Method			Auto Defrost
Isolation			I
Moisture Protection			IP24
Max. Operating Pressure at High Side		PSI	550
Max. Operating Pressure at Low Side		PSI	175
Sound Pressure Level (H / L)		dB(A)	56 / 54
Sound Power Level (H / L)		dB(A)	66 / 64

Outdoor Unit Models		WMMS-60CH-V2B(59) 2	
<b>Connection Pipes</b>			
R410A Refrigerant Factory Pre-Charge for 25'	lbs.	10.6	
Additional Refrigerant Charge	oz/ft.	0.23	
Liquid Valve Sizes	inches	4 x 1/4" 1 x 3/8"	
Gas Valve Sizes	inches	2 x 3/8" 2 x 1/2" 1 x 5/8"	

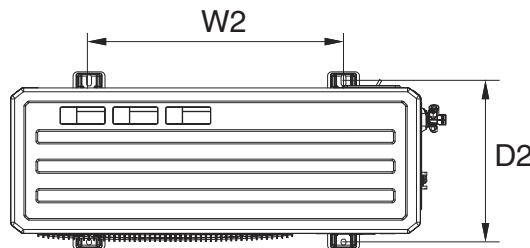
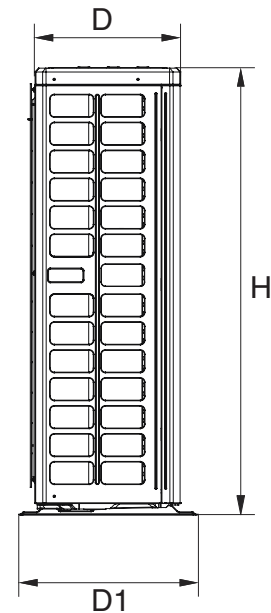
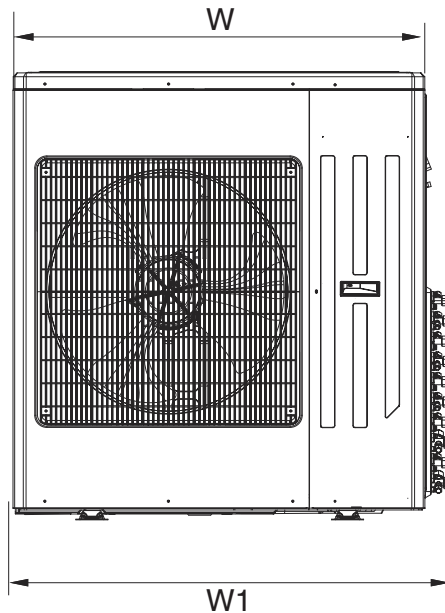
Dimensions & Weight Outdoor Unit		
Dimensions (W x H x D)	inches	42.25 x 43.5 x 17.5
Net Weight /Gross Weight	lbs.	225 / 248



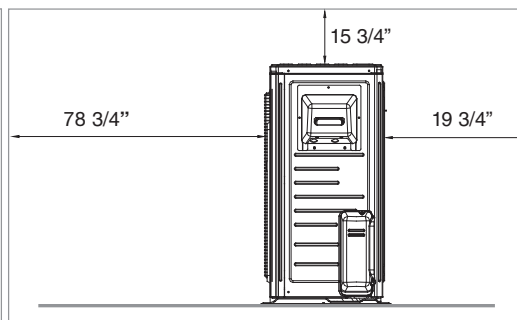
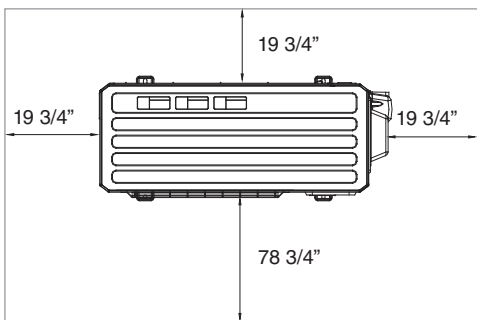
# Submittal Data Sheet: WMMS-60CH-V2B(59)2

## OUTDOOR UNIT

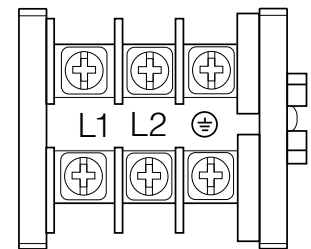
Dimensions (inches)	
W	42 1/4"
W1	33 13/32"
W2	24 27/32"
H	43 1/2"
D	14 1/4"
D1	17 1/2"
D2	15 25/32"



## CLEARANCES



## TERMINAL BLOCK



## FEATURES

- 208-230/1/60 power input
- Quiet and efficient heating & cooling.
- DC Inverter technology
- Wide working ambient temperature ranges
- Compact outdoor unit with side discharge
- Outdoor unit ships pre-charged.
- High quality compressors
- Durable powder coated cabinet
- Standard flare brass connection valves
- Built to ETL/UL/CSA/AHRI standards
- Easy installation and maintenance

**YMGI Group**  
 601 Arrow Ln, O'Fallon, Missouri 63366  
 Phone: 1-866-833-3138  
 Fax: 1-866-377-3355  
 ymgigroup.com

Sales Representative or Distributor: