



## Submittal Data Sheet: WMMS-80CH-V2B(59)2



**WMMS-80CH-V2B(59)2**  
up to 8 zones

### ACCESSORIES

- MOUNTING BRACKETS
- FOOT RISERS
- COPPER/WIRE/ACC.SET
- LINESET COVERS
- WINTER WIND BAFFLE

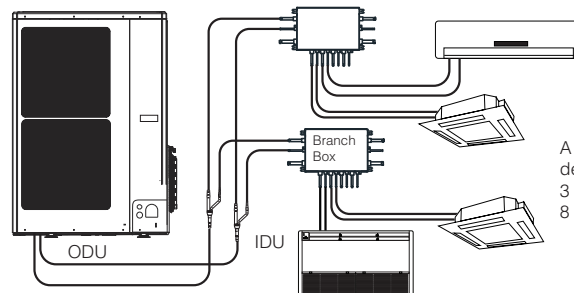
Connection Pipes		
R410A Refrigerant	lbs.	10.9
Factory Pre-Charge		
Additional Refrigerant Charge	oz/ft.	0.23
Liquid Valve Sizes	inches	3/8"
Gas Valve Sizes	inches	3/4"
Maximum allowable length		
Between outdoor unit and BU	ft	≤ 180
Between unit and BU	ft	≤ 262
Between indoor unit and BU module	ft	≤ 49
Between indoor unit and 1st branch	ft	≤ 131
Maximum allowable length		
Between outdoor and indoor units	ft	≤ 98
Between outdoor units and BU	ft	≤ 98
Between indoor unit and BU module	ft	≤ 49
Between indoor unit and 1st branch	ft	≤ 49
Minimum allowable length		
Between outdoor and indoor units	ft	≤ 16
Between outdoor units and BU	ft	short as possible

Dimensions & Weight Outdoor Unit		
Dimensions (W x H x D)	inches	35.4 x 14.8 x 53.1
Net Weight /Gross Weight	lbs.	256 / 275

Job Name:		Tag #:	
Location		Date:	
Engineer:		Approval:	
Submitted to:		Unit #:	
Submitted by:		Drawing #:	
Reference		PO #:	

The CHOIR outdoor condensing unit has a 16 SEER rating. With a 80k Btu/h capacity and capable of heating and cooling up to 8 zones. The CHOIR requires 208-230 volt, 1 phase, 60Hz power. The compact design allows for ground installation, or mounting in a variety of discreet locations, including on a wall, under a deck or a balcony.

Allowed Capacity Rating Totals-All Indoor Units	Btu/h	86,000
Cooling Capacity-Rating	Btu/h	47800.00
Min. / Max. Cooling Capacity	Btu/h	3412.00 / 54592.00
Heating Capacity-Rating	Btu/h	54600.00
Min. / Max. Heating Capacity	Btu/h	4094.40 / 59368.80
EER	W/W	2.80
EER	Btu/h/W	9.56
COP	Btu/h/W	12.41
SEER	Btu/h/W	16
HSPF	Btu/h/W	8
Air Flow Volume	CFM	3766.40
Sound Pressure Level Low-High	dB(A)	43 - 57
Sound Power Level Low-High	dB(A)	52 - 67
Rated Input Ele. Power Supply	V	208-230 / 1 / 60
Fuse Current	A	50
HVAC Type Circuit Breaker	A	50
Cooling / Heating Power Input	KW	5.00 / 4.40
Rated Power Input	KW	5.60
Cooling / Heating Current Input	AMP	23.00 / 20.00
Rated Current	AMP	28.00
Compressor Type1	-	Inverter Rotary
Compressor Capacity	Btu/h	46075
Compressor Power Input	W	4580.00
Compressor Rated Load Amp (RLA)	A	23.00
Chassis Electrical Heater Power Input	W	140.00
Chassis Electrical Heater Current	A	0.6
Fan Quantity / Type	-	2 / Axial-flow
Motor Full Load Amp(FLA)	A	1
Fan Motor Speed High to Low	RPM	784/680/576/480/384/280
Fan Motor Power Input / Output	W	150W /120W
Condenser Face Area	Sq.Ft	13.89
Condenser Max. Allowable Pressure	PSI	623
Permissible Excessive Operating Pressure for Discharge Side	PSI	580
Permissible Excessive Operating Pressure for Suction Side	PSI	145
High Presser Overload Protector	PSI	542
Low Presser Overload Protector	PSI	23.2
Cooling Operation Ambient Temperature Range	° F	5 ~ 118
Heating Operation Ambient Temperature Range	° F	-4 ~ 75
Maximum IDU Qty.	Unit	8
Defrosting Method	-	Automatic defrosting
Metering Device	-	Electronic expansion valve

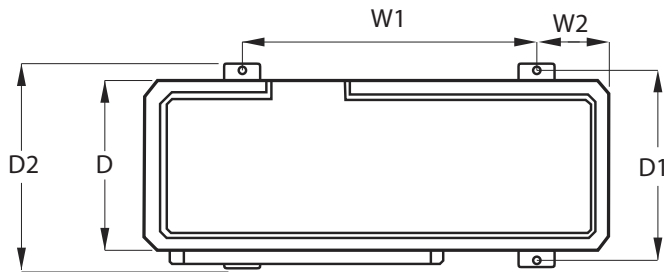
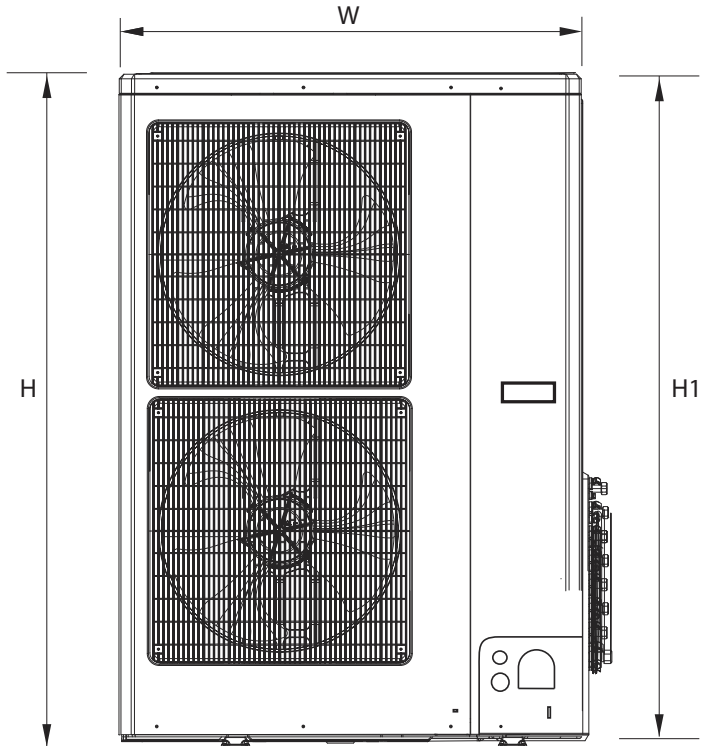


A system can be designed with up to 3 Branch Boxes and 8 Indoor Units.

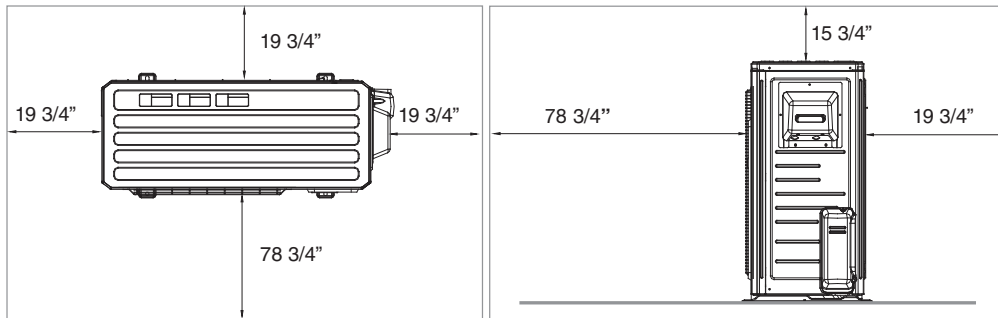


### OUTDOOR UNIT

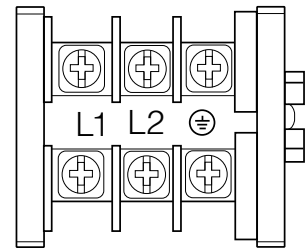
Dimensions (inches)	
W	35 13/32 "
W1	22 17/32"
W2	5 1/2"
H	53 3/32"
H1	52 1/4"
D	13 3/8"
D1	14 7/8"
D2	16 7/32"



### CLEARANCES



### TERMINAL BLOCK



### FEATURES

- 208-230/1/60 power input
- Quiet and efficient heating & cooling.
- DC Inverter technology
- Wide working ambient temperature ranges
- Compact outdoor unit with side discharge
- Outdoor unit ships pre-charged.
- High quality compressors
- Durable powder coated cabinet
- Standard flare brass connection valves
- Built to ETL/UL/CSA/AHRI standards
- Easy installation and maintenance

**YMGI Group**  
 601 Arrow Ln, O'Fallon, Missouri 63366  
 Phone: 1-866-833-3138  
 Fax: 1-866-377-3355  
 ymgigroup.com

Sales Representative or Distributor: