



Submittal Data Sheet: VRFI-Bcon18-V2B(55)5

INDOOR UNIT



VRFI-Bcon18-V2B(55)5

Job Name:		Tag #:	
Location		Date:	
Engineer:		Approval:	
Submitted to:		Unit #:	
Submitted by:		Drawing #:	
Reference		PO #:	

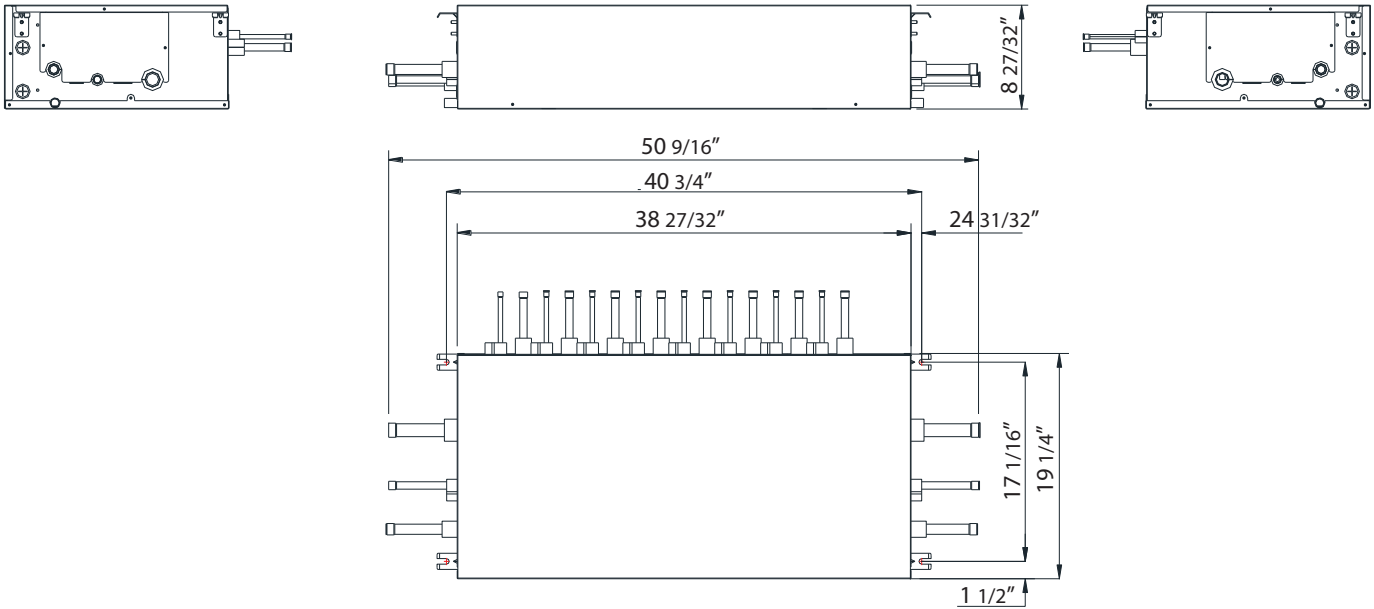
VRF Branch Module

YMGI's VRF Branch Modules are for use with large HVAC systems that have multiple head units. These models are designed for use with Heat Recovery VRF Modular systems, and allow for Dual Directional flow of refrigerant.

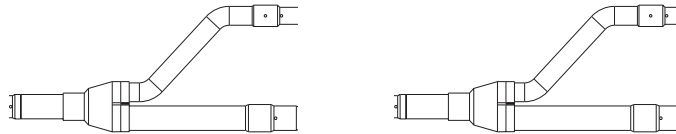
Model	Unit	VRFI-Bcon18-V2B(55)5
Max IDU Branches	-	8
No. of Connectable IDU of each Branch	-	8
Max. Capacity of each Branch	Btu/h	48000
Max Capacity of connectable IDU	Btu/h	232000
Power Supply	V/Ø/ Hz	208~230/1/60
Power Consumption	W	80
Maximum No. of Connected IDU	units	64
Liquid Outdoor Piping Connection	In.	Ø 5/8
Gas (Low Press.) Outdoor Piping Connection	In.	Ø 1 1/8
Gas (High Press.) Outdoor Piping Connection	In.	Ø 3/4
Liquid Indoor Piping Connection	In.	Ø 3/8
Gas Indoor Piping Connection	In.	Ø 5/8



INDOOR UNIT



Branch Y Connections



	Mini VRF Systems			Modular VRF Systems			
	Allowable value		Fitting pipe	Allowable value		Fitting pipe	
	m	f		m	f		
Total length (actual length) of fitting pipe	300	984	L1+L2+L3+a+b++c+d	≤1000	3280-3/4	L1+L2+L3+L4...+L10+A11+A12+...+D21+D22	
Length of farthest fitting pipe	Actual length	120	394	L1+L2+L3+d	≤165	541 1/4	L
	Equivalent length	150	492		≤190	623 1/4	—
From the 1st branch to the farthest indoor pipe	40	131	L2+L3+d	≤40	131 1/4	L12-L11	
Height difference between ODU and IDU	ODU at upper side	50	164	—	≤40	131 1/4	L7+L8+L10+D22
	ODU at lower side	40	131	—	≤90	295 1/4	—
Height difference between IDUs	15	49	—	≤30	98 1/2	h1	

YMGI Group
 601 Arrow Ln, O'Fallon, Missouri 63366
 Phone: 1-866-833-3138
 Fax: 1-866-377-3355
 ymgigroup.com
 sales@ymgigroup.com

Sales Representative or Distributor: