

## Submittal Data Sheet: VRFI-24EC4-D2B(55)5

### INDOOR UNIT



Job Name:		Tag #:	
Location		Date:	
General Contractor:		Mechanical Contractor:	
Sales Representative:		Sales Engineer:	
Submitted by:		Drawing #:	
Reference		PO #:	

**DC Inverter Motor**

Efficiency is improved by 30% over standard PSC motors.

**Ultra-Low Noise Operation**

Stepless speed regulation and scientifically optimized fan wheel design enable quiet operation.

**Intelligent Drainage Device**

Built-in water lift condensate pump and overflow protection.

**Protection Function**

Water overflow, anti-freezing, temperature sensor malfunction, and fan motor overload protection.

**Strong and Balanced Airflow**

4-way airflow, variable fan speeds ensure consistent and comfortable circulation.

**Digital Display**

Users and service technicians can use the digital display on the Wall Mount Controller to see status and protection or error codes.

**Thermostat Controller**

By using a YMGI bridge controller, North American style thermostats (Nest, Honeywell, Pro1, YMGI etc.) can be used for temperature control, locally or remotely, individually or in groups.

### ACCESSORIES

- REPLACEMENT FILTERS
- THERMOSTAT
- MOUNTING BRACKETS
- COPPER/WIRE/ACC.SET
- BRIDGE CONTROLLER

Model	VRFI-24EC4-D2B(55)5	
<b>Connection Pipes</b>		
Liquid Connecting Pipe Diameter	in.	Ø3/8
Gas Connecting Pipe Diameter	in.	Ø5/8
Drain Pipe External Diameter	in.	Ø1
Drain Pipe Internal Diameter	in.	Ø13/16
<b>Dimensions &amp; Weight Indoor Unit</b>		
Main Body (W x D x H)	in.	33 1/16 x 33 1/16 x 10 1/4
Net/Gross Weight	lbs.	58/75
<b>Dimensions &amp; Weight Faceplate</b>		
Panel (W x D x H)	in.	37 3/8 x 37 3/8 x 2 1/2
Net/Gross Weight	lbs.	15/24

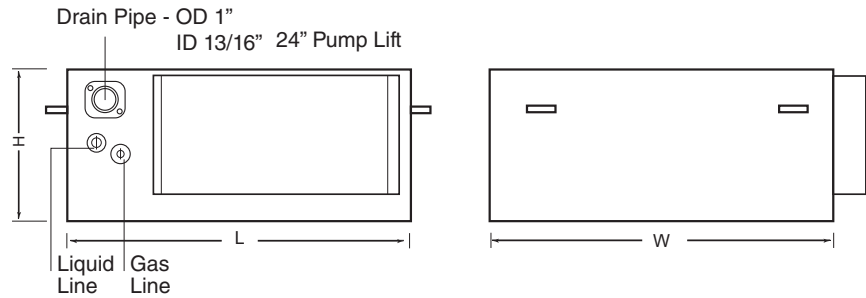
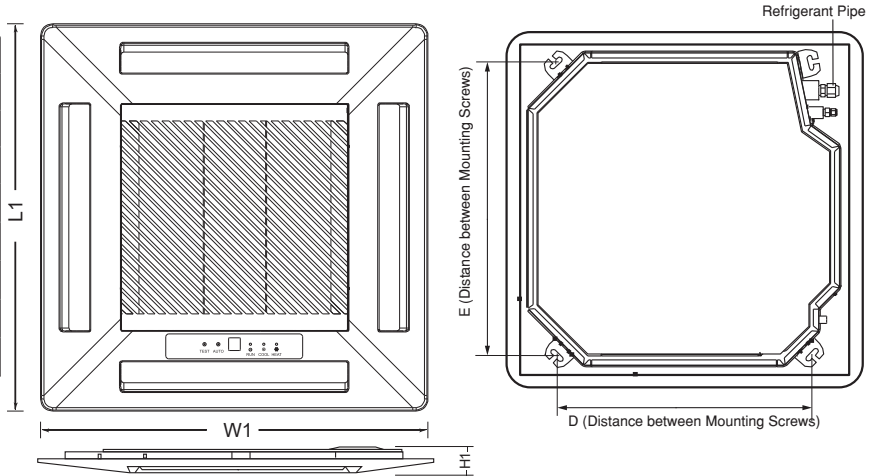
Model	VRFI-24EC4-D2B(55)5	
Cooling Capacity	Btu/h	24000
Heating Capacity	Btu/h	27000
Power Supply	V/Ø/Hz	208/230/1/60
Power Consumption	W	59
Airflow Volume	m³/h	1180/950/850
	CFM	695/560/550
Related Current Heating/ Cooling	Amp	0.5
MCA	Amp	0.625
MOP	Amp	15
Condensate Pump Lift from base of unit	in.	19 11/16"
Sound Pressure Level (H/M/L)	dB(A)	38/36/33
Refrigerant		R410A



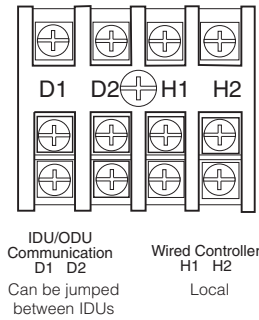
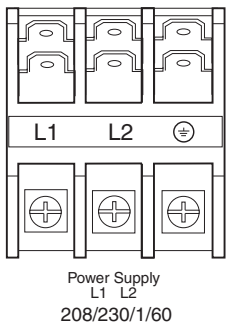
# Submission Data Sheet: VRFI-24EC4-D2B(55)5

## INDOOR UNIT

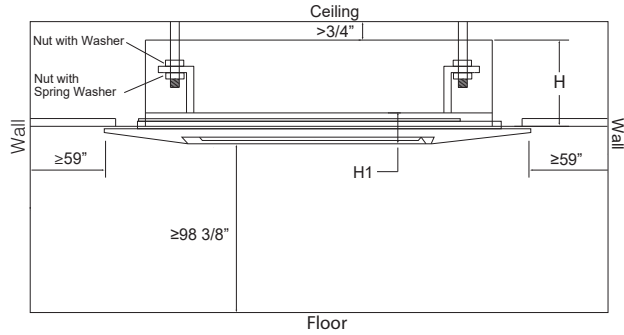
Dimensions (inches)	
L	33 1/16"
W	33 1/16"
H	10 1/4"
L1	37 3/8"
W1	37 3/8"
H1	2 1/2"
D	26 3/4"
E	30 11/16"



## WIRING



## CLEARANCE



## FEATURES

- 208-230/1/60 power input
- Quiet and efficient heating & cooling.
- DC Inverter technology
- Wide working ambient temperature ranges
- Built in protection functions
- Washable filter
- Unit ships pre-charged with dry nitrogen
- Stylish design
- Standard flare nut connection valves
- Built to ETL/UL/CSA/AHRI standards
- Easy installation and convenient maintenance

**YMGI Group**  
 601 Arrow Ln, O'Fallon, Missouri 63366  
 Phone: 1-866-833-3138  
 Fax: 1-866-377-3355  
 ymgigroup.com  
 sales@ymgigroup.com

Sales Representative or Distributor: