



Submittal Data Sheet: VRFI-96FA-H2B(55)5

INDOOR UNIT



VRFI-96FA-H2B(55)5



Wall Controller Included

ACCESSORIES

- BRIDGE CONTROLLER/THERMOSTAT
- COPPER/WIRE/ACC.SET
- DUCT CONNECTOR FLANGE-RA
- DUCT CONNECTOR FLANGE-DA

Model VRFI-96FA-H2B(55)5		
Connection Pipes		
Liquid Connecting Pipe Diameter	in.	Ø3/8
Gas Connecting Pipe Diameter	in.	Ø7/8
Drain Pipe External Diameter	in.	1 3/16
Drain Pipe Internal Diameter	in.	1 1/16

Dimensions & Weight Indoor Unit		
Dimensions (W x D x H)	in.	58 3/8 x 31 1/8 x 15 1/8
Net/Gross Weight	lbs.	181 / 229

Job Name:		Tag #:	
Location		Date:	
General Contractor:		Mechanical Contractor:	
Sales Representative:		Sales Engineer:	
Submitted by:		Drawing #:	
Reference		PO #:	

One System, Two Functions

Designed with DC Inverter technology, this unit filters, cools, dehumidifies, and heats outdoor air, then duct delivers fresh air to any space needed.

Lower Operating Costs

Unit can control refrigerant output according to actual need, to ensure constant airflow temperature. By adjusting power output, high power light-load operation can be avoided.

Requires Less Installation Space

Especially suited for places that have limited installation space.

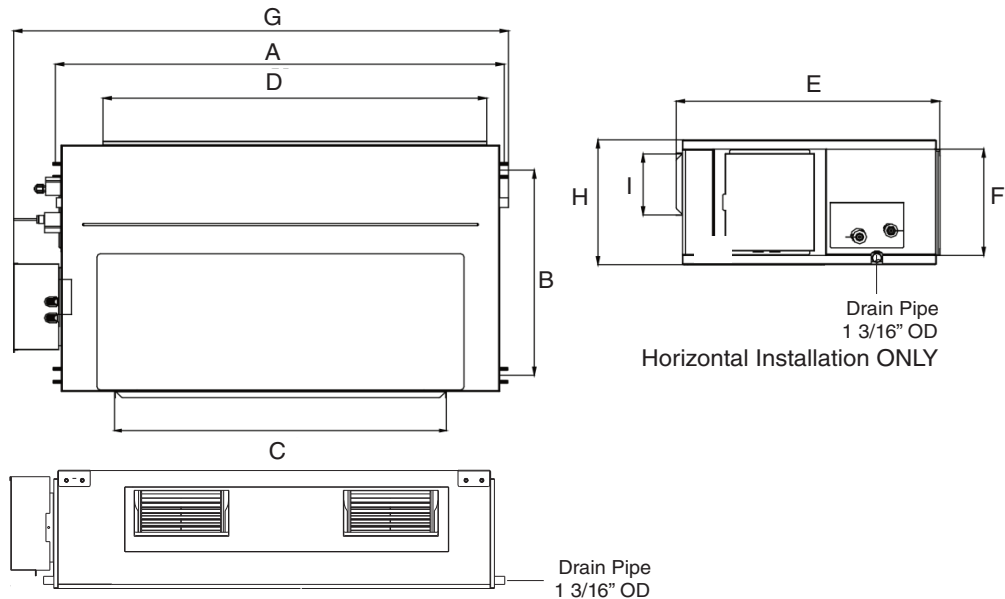
Model		VRFI-96FA-H2B(55)5
Cooling Capacity	Btu/h	96000
Heating Capacity	Btu/h	68000
Power Supply	V/Ø/Hz	208~230 / 1 / 60
Power Consumption	W	860
Airflow Volume (High / Medium / Low)	m³/h	2500 / 2000~3500
	CFM	1471 / 1177~2060
Related Current Heating / Cooling	A	4.9
MCA	Amp	6.125
MOP	Amp	15
ESP	Pa	200 / 50~280
	WC	up to 1.13
Sound Pressure Level (H / M / L)	dB(A)	51
Refrigerant		R410A



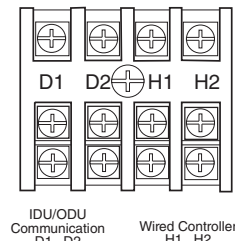
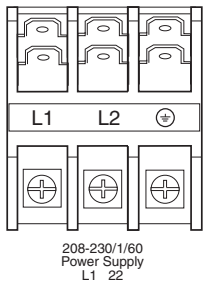
Submittal Data Sheet: VRFI-96FA-H2B(55)5

INDOOR UNIT

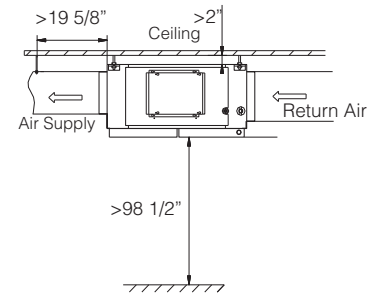
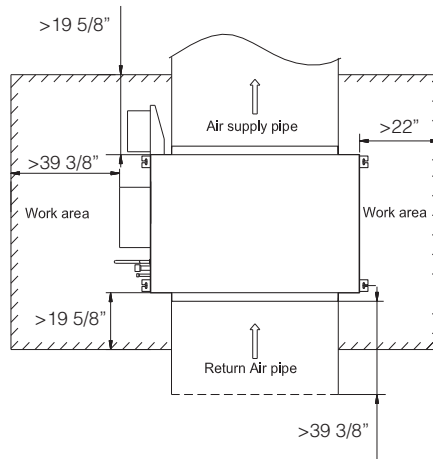
Dimensions (inches)	
A	53 1/4"
B	24 7/8"
C	39"
D	45 1/4"
E	31 1/8"
F	12 7/8"
G	58 3/8"
H	15 3/16"
I	7 1/2"



WIRING



CLEARANCE



FEATURES

- Powerful fresh air handling
- 208-230/1/60 power input
- Quiet and efficient heating & cooling.
- Wide working ambient temperature ranges
- Compact design
- Unit ships pressurized with nitrogen.
- Two drain line connections
- Durable powder coated cabinet
- Standard flare brass connection valves
- Knock-outs for refrigerant pipes and wires
- Built to ETL/UL/CSA/AHRI standards
- Easy installation and maintenance

YMGI Group
601 Arrow Ln, O'Fallon, Missouri 63366
Phone: 1-866-833-3138
Fax: 1-866-377-3355
ymgigroup.com
sales@ymgigroup.com

Sales Representative or Distributor: