



## Submittal Data Sheet: PTHP-09K-14D(43)

### UNIT



**PTHP-09K-14D(43)**

### ACCESSORIES

(Each Sold Separately)

- WALL SLEEVE
- STAMPED GRILLE
- ARCHITECTURAL GRILLE
- SUB BASE
- THERMOSTAT
- WIRELESS CONTROL
- MOTION CONTROL

Dimensions & Weight Indoor Unit		
Dimensions of Main Unit W x H x D	In.	42 x 16.0 x 21.5
Dimensions of Wall Sleeve W x H x D	In.	42 x 16 x 13.75"
Weight-Net	lbs.	105.8
Weight-Gross	lbs.	130.1
R410A Refrigerant Charge	lbs.	1.56

Job Name:		Tag #:	
Location		Date:	
Engineer:		Approval:	
Submitted to:		Unit #:	
Submitted by:		Drawing #:	
Reference		PO #:	

The HARMONY STANDARD features touch pad controls, a digital display, that provides precise climate control, so your guests can customize their comfort level. Two efficient direct-drive motors power an outdoor condensing cool fan, and a 3 speed cross-flow random pitch indoor blower engineered to deliver cooling and heating evenly throughout any room.

Models 265-277 / 1 / 60	PTHP-09K-14D(43)	
Cooling Capacity (Rated)	Btu/h	8800 / 9000
Heating Capacity (Rated)	Btu/h	7900 / 8100
Cooling Power Input	W	770 / 800
Heating Power Input	W	700 / 720
Cooling Power Current	Amp	3.9 / 3.7
Heating Power Current	Amp	3.6 / 3.4
Rated Input (Without/With Ele. Heater)	W	972 / 3000
Rated Current (Without/With Ele. Heater)	Amp	5.36 / 14.4 - 13.0
Rated Ele. Heater	KW	3
MCA	Amp	17.3
Recommended Circuit Breaker HVAC	Amp	20
Air Flow Rate (H/M/L)	CFM	295 / 280 / 260
Fresh Air Ventilation	CFM	up to 60
Dehumidifying Volume	Pints/day	50.721
EER	Btu/h.w	11.4 / 11.3
COP	WW	3.3 / 3.3
Reference Only-Good for Floor Space, of Mild Load, in Residential Applications	Sq. Ft	120-180
Isolation		1
Moisture Protection		IP24
Allowed Maximum Operation Pressure-High Side	PSI	550
Allowed Maximum Operation Pressure-Low Side	PSI	290
Fan Type		Cross-flow
Fan Wheel Dia. x Length	In.	4.8 x 27.8
Fan Motor Speed(H/M/L)	RPM	1030 / 970 / 890
Output of Fan Motor	W	21
Fan Motor RLA	Amp	0.36
Fan Motor Capacitor	UF	1
Input of Heater	W	2452 / 3000
Evaporator Form		Aluminum Fin-Copper Tube
Pipe Diameter	In.	5/16
Row-FPI		2x 18
Coil Length (WxHxD)	In.	27.5 x 9.53 x 1.5
Fuse	Amp	3.15
Sound Pressure Level (H/M/L)	dB (A)	51 / 50 / 49
Sound Power Level (H/M/L)-	dB (A)	61 / 60 / 59
Compressor Type		Rotary
L.R.A.	Amp	17
Compressor RLA	Amp	3.7
Compressor Power Input	W	740
Overload Protector		-
Metering Device		Capillary
Panel Continued	°F	61 - 86
Outdoor Ambient Temp (Cooling)	°F	55 - 115
Outdoor Ambient Temp (Heating)	°F	≤75
Condenser		Aluminum Fin-Copper Tube
Form Pipe Diameter	In.	7/32
Rows-FPI		3x 18
Coil Length (W x H x D)	In.	25 0 x 13.5 x 0.9
Fan Motor Speed	RPM	1370
Output of Fan Motor		40
Fan Motor RLA	Amp	0.42
Fan Motor Capacitor	UF	2
Fan Type		Axial-flow
Fan Diameter	In.	13.75
Sound Pressure Level (H/M/L)	dB (A)	61 / 59 / 57
Sound Power Level (H/M/L)	dB (A)	71 / 69 / 67



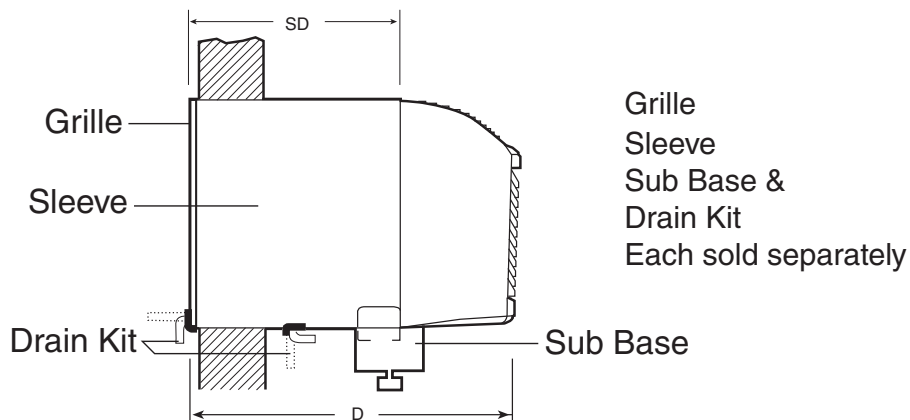
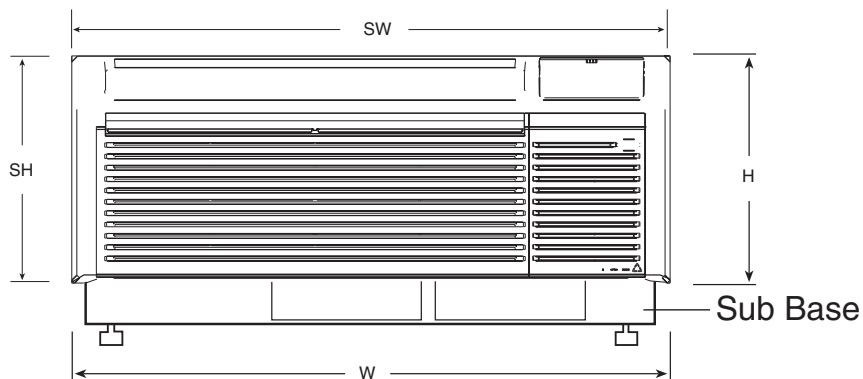
# Submittal Data Sheet: PTHP-09K-14D(43)

## UNIT

Dimensions (inches)	
W	42"
H	16"
D	21 1/2"

## SLEEVE

Dimensions (inches)	
SW	42"
SH	16"
SD	13 3/4"



## FEATURES

- 208-230 / 1 / 60 power input
- 20 Amp LCDI Cord
- Quiet and efficient heating & cooling.
- Tactile Display shows set temperature & operating modes.
- Two motors quietly and powerfully distribute air evenly.
- Fresh Air damper allows selection of air source
- Dip Switches for easy configuration
- Preheating coil prevents cold air blowing at start up.
- Wide working ambient temperature ranges
- Fan blade design aides in evaporating condensate
- Stylish Design
- Impact resistant ABS cover
- Steel Frame with Powder Coated Components
- Fits a Standard PTAC Opening
- Built to UL/CSA/AHRI standards
- Easy installation and maintenance



**Touch Pad Control with Digital Display**



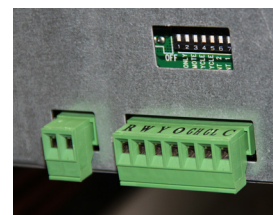
**Main Control Board**



**Washable and Reusable Particulate Air Filter**



**Condensate Anti-freeze Drainage Valve**



**Energy Management & Thermostat Connections**

**YMGI Group**  
 601 Arrow Ln, O'Fallon, Missouri 63366  
 Phone: 1-866-833-3138  
 Fax: 1-866-377-3355  
 ymgigroup.com

Sales Representative or Distributor: