



## Submittal Data Sheet: VRFI-15EC2-D2B(55)5

### INDOOR UNIT



**VRFI-15EC2-D2B(55)5**

### ACCESSORIES

- REPLACEMENT FILTERS
- THERMOSTAT
- MOUNTING BRACKETS
- COPPER/WIRE/ACC.SET
- BRIDGE CONTROLLER

Job Name:		Tag #:	
Location		Date:	
General Contractor:		Mechanical Contractor:	
Sales Representative:		Sales Engineer:	
Submitted by:		Drawing #:	
Reference		PO #:	

#### Ceiling Mount 2 Way Cassette EC Unit

The EC indoor unit is the perfect solution for large open rooms that are more than 25' long or wide. YMGI's Ceiling Mount Cassette Units allow for easy installation into the 24" joist space and flush mount to the ceiling. Standard remote or wall mounted thermostats are available. Each unit has a Remote Control and a Wall Controller with an LED display that shows unit set temperature and mode settings as well as technician information.

#### DC Inverter Motor

Efficiency is improved by 30% over standard PSC motors.

#### Ultra-Low Noise Operation

Stepless speed regulation and scientifically optimized fan wheel design enable quiet operation.

#### Intelligent Drainage Device

Built-in water lift condensate pump and overflow protection.

#### Protection Function

Water overflow, anti-freezing, temperature sensor malfunction, and fan motor overload protection.

#### Strong and Balanced Airflow

2-way airflow, variable fan speeds ensure consistent and comfortable circulation.

#### Beautiful Appearance

It's simple and elegant front panel design works well in any room.

#### Thermostat Controller

By using a YMGI bridge controller, North American style thermostats (Nest, Honeywell, Pro1, YMGI etc.) can be used for temperature control, locally or remotely, individually or in groups.

Model	VRFI-15EC2-D2B(55)5	
<b>Connection Pipes</b>		
Liquid Connecting Pipe Diameter	in.	Ø1/4
Gas Connecting Pipe Diameter	in.	Ø1/2
Drain Pipe External Diameter	in.	Ø1
Drain Pipe Internal Diameter	in.	Ø13/16
<b>Dimensions &amp; Weight Indoor Unit</b>		
Main Body (W x D x H)	in.	47 1/4" x 20 1/2" x 13 3/8"
Net Weight	lbs.	94.8 lbs
<b>Dimensions &amp; Weight Faceplate</b>		
Panel (W x D x H)	in.	56 13/16 x 24 13/16 x 1 1/4
Net Weight	lbs.	24 lbs

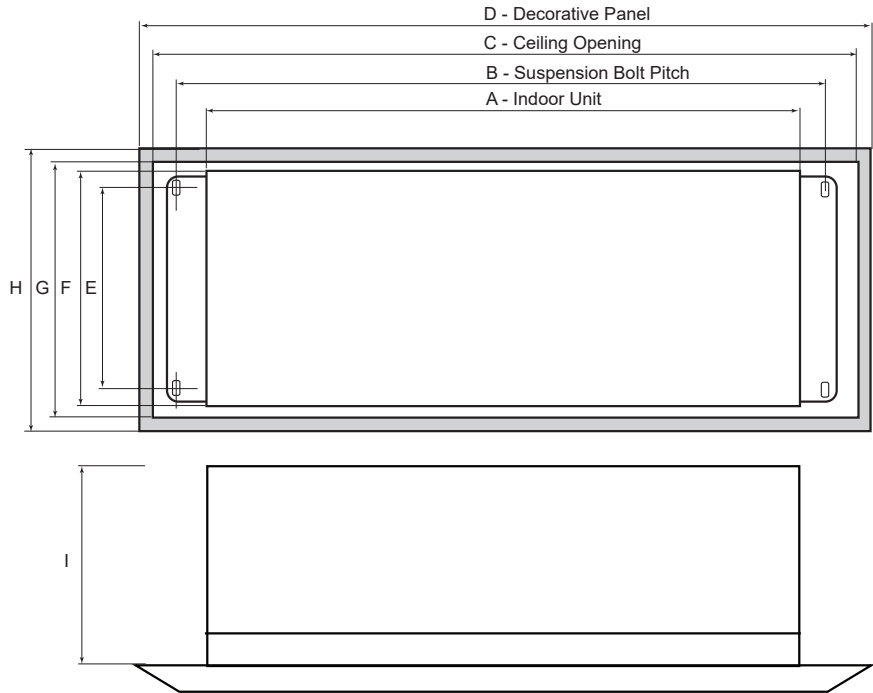
Model	VRFI-15EC2-D2B(55)5	
Power Supply	V / Ph / Hz	208~230 / 1 / 60
Cooling Capacity	Btu/h	15,000
Heating Capacity	Btu/h	17,000
Driving Mechanism		Direct-driven
Motor Type		BLDC
Air Flow (Low/Medium/High)	CFM	312 / 355 / 490
MCA	Amp	1
MOP	Amp	15
Condensate Pump Lift from base of unit	in.	19 11/16"
Sound Pressure Level (L/M/H)	dB	31 / 33 / 35
Fan Motor Power Output	W	90
Fan Motor Running Current	F.L.A.	0.4
Rated Input	W	55
Refrigerant		R410A



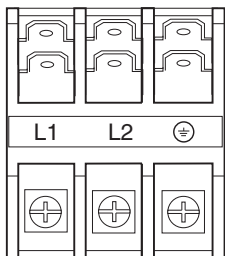
# Submittal Data Sheet: VRFI-15EC2-D2B(55)5

## INDOOR UNIT

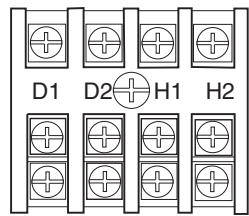
Dimensions (inches)	
A	47 1/4"
B	49 1/4 "
C	55 1/4"
D	56 3/4"
E	16 1/2 "
F	20 1/2"
G	23 1/4"
H	24 13/16"
I	13-3/8"



## WIRING



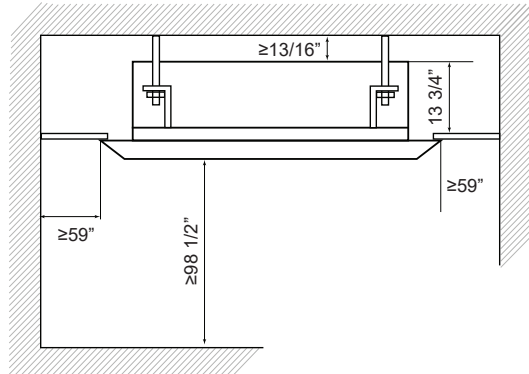
Power Supply  
L1 L2  
208/230/1/60



IDU/ODU Communication  
D1 D2  
Can be jumped between IDUs

Wired Controller  
H1 H2  
Local

## CLEARANCE



## FEATURES

- 208-230/1/60 power input
- Quiet and efficient heating & cooling.
- DC Inverter technology
- Wide working ambient temperature ranges
- Built in protection functions
- Washable filter
- Unit ships pre-charged with dry nitrogen
- Stylish design
- Standard flare nut connection valves
- Built to ETL/UL/CSA/AHRI standards
- Easy installation and convenient maintenance

**YMGI Group**  
601 Arrow Ln, O'Fallon, Missouri 63366  
Phone: 1-866-833-3138  
Fax: 1-866-377-3355  
ymgigroup.com  
sales@ymgigroup.com

Sales Representative or Distributor: