



Submittal Data Sheet: VRFI-24EC2-D2B(55)5

INDOOR UNIT



VRFI-24EC2-D2B(55)5

ACCESSORIES

- REPLACEMENT FILTERS
- THERMOSTAT
- MOUNTING BRACKETS
- COPPER/WIRE/ACC.SET
- BRIDGE CONTROLLER

Job Name:		Tag #:	
Location		Date:	
General Contractor:		Mechanical Contractor:	
Sales Representative:		Sales Engineer:	
Submitted by:		Drawing #:	
Reference		PO #:	

Ceiling Mount 2 Way Cassette EC Unit

The EC indoor unit is the perfect solution for large open rooms that are more than 25' long or wide. YMGI's Ceiling Mount Cassette Units allow for easy installation into the 24" joist space and flush mount to the ceiling. Standard remote or wall mounted thermostats are available. Each unit has a Remote Control and a Wall Controller with an LED display that shows unit set temperature and mode settings as well as technician information.

DC Inverter Motor

Efficiency is improved by 30% over standard PSC motors.

Ultra-Low Noise Operation

Stepless speed regulation and scientifically optimized fan wheel design enable quiet operation.

Intelligent Drainage Device

Built-in water lift condensate pump and overflow protection.

Protection Function

Water overflow, anti-freezing, temperature sensor malfunction, and fan motor overload protection.

Strong and Balanced Airflow

2-way airflow, variable fan speeds ensure consistent and comfortable circulation.

Beautiful Appearance

It's simple and elegant front panel design works well in any room.

Thermostat Controller

By using a YMGI bridge controller, North American style thermostats (Nest, Honeywell, Pro1, YMGI etc.) can be used for temperature control, locally or remotely, individually or in groups.

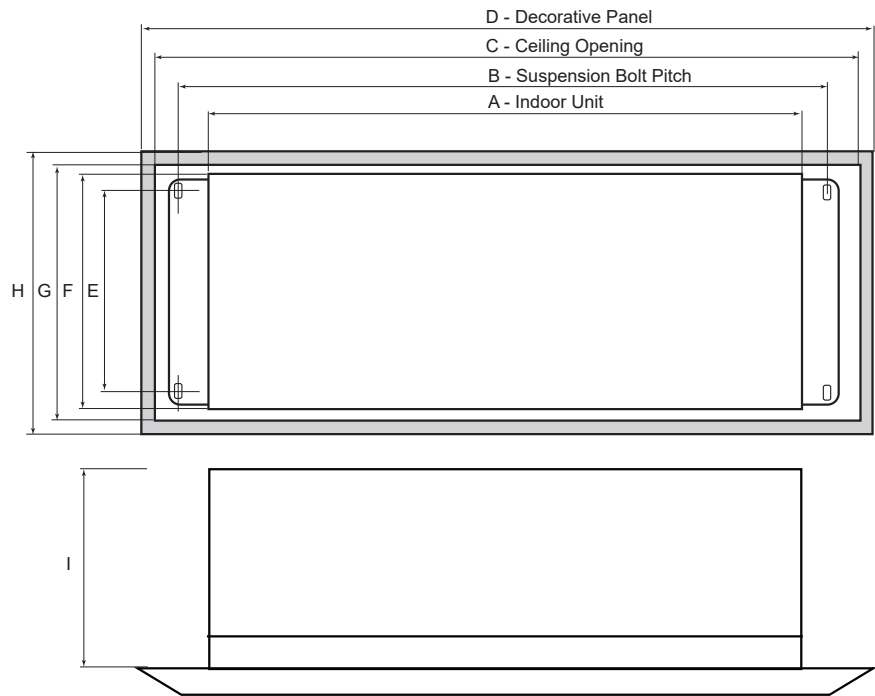
Model	VRFI-24EC2-D2B(55)5	
Connection Pipes		
Liquid Connecting Pipe Diameter	in.	Ø 3/8
Gas Connecting Pipe Diameter	in.	Ø 5/8
Drain Pipe External Diameter	in.	Ø1
Drain Pipe Internal Diameter	in.	Ø13/16
Dimensions & Weight Indoor Unit		
Main Body (W x D x H)	in.	47 1/4" x 20 1/2" x 13 3/8"
Net Weight	lbs.	101.4 lbs
Dimensions & Weight Faceplate		
Panel (W x D x H)	in.	56 13/16 x 24 13/16 x 1 1/4
Net Weight	lbs.	24 lbs

Model	VRFI-24EC2-D2B(55)5	
Power Supply	V / Ph / Hz	208~230 / 1 / 60
Cooling Capacity	Btu/h	24,000
Heating Capacity	Btu/h	27,000
Driving Mechanism		Direct-driven
Motor Type		BLDC
Air Flow (Low/Medium/High)	CFM	448 / 483 / 650
MCA	Amp	1
MOP	Amp	15
Condensate Pump Lift from base of unit	in.	19 11/16"
Sound Pressure Level (L/M/H)	dB	35 / 37 / 39
Fan Motor Power Output	W	91
Fan Motor Running Current	F.L.A.	0.7
Rated Input	W	55
Refrigerant		R410A

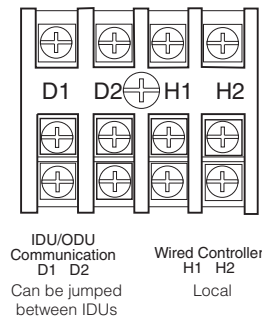
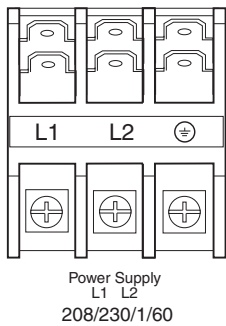


INDOOR UNIT

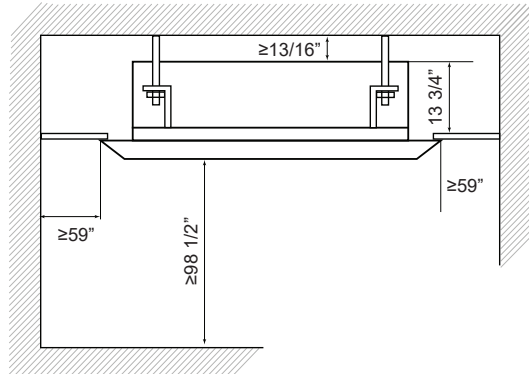
Dimensions (inches)	
A	47 1/4"
B	49 1/4 "
C	55 1/4"
D	56 3/4"
E	16 1/2 "
F	20 1/2"
G	23 1/4"
H	24 13/16"
I	13-3/8"



WIRING



CLEARANCE



FEATURES

- 208-230/1/60 power input
- Quiet and efficient heating & cooling.
- DC Inverter technology
- Wide working ambient temperature ranges
- Built in protection functions
- Washable filter
- Unit ships pre-charged with dry nitrogen
- Stylish design
- Standard flare nut connection valves
- Built to ETL/UL/CSA/AHRI standards
- Easy installation and convenient maintenance

YMGI Group
601 Arrow Ln, O'Fallon, Missouri 63366
Phone: 1-866-833-3138
Fax: 1-866-377-3355
ymgigroup.com
sales@ymgigroup.com

Sales Representative or Distributor: