



## Submittal Data Sheet: WMMS-09K-V2B(58)4

### INDOOR UNIT



WMMS-09E-V2B(58)4

### OUTDOOR UNIT



WMMS-09C-V2B(58)4

### ACCESSORIES

- ADVANCED HEALTHY KIT  
HEPA/Enzyme/Cold Catalyst Filter  
Anion Generator
- THERMOSTAT
- MOUNTING BRACKETS
- FOOT RISERS
- COPPER/WIRE/ACC.SET
- LINESET COVERS
- WINTER WIND BAFFLE
- BRIDGE CONTROLLER

Job Name:		Tag #:	
Location		Date:	
General Contractor:		Mechanical Contractor:	
Sales Representative:		Sales Engineer:	
Submitted by:		Drawing #:	
Reference		PO #:	

YMGI's ductless Wall Mount Mini Split (WMMS) is designed for high performance, easy installation and servicing. The single-zone WMMS system consists of 1 wall-mounted indoor unit and 1 outdoor unit. The outdoor unit is designed for horizontal venting, making condenser installation in tight areas simple. Ideal for multi-family and high-rise buildings in residential, commercial, institutional, and industrial applications. Includes U-Touch remote control.

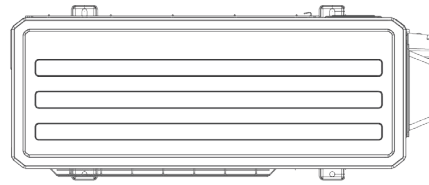
System		WMMS-09K-V2B(58)4
Power Supply	V/Ph/Hz	208-230 / 1 / 60
Power Voltage Allowed Min./Max.	V	187 / 253
Surge Protector In Incoming Power Supply	Field-Install	Recommended
Cooling Capacity	Btu/h	3100 / 9000 / 9600
Heating Capacity Min./Rating/Max.	Btu/h	1900 / 11000 / 12000
Cooling Power Input Min./Stand./Max.	W	160 / 630 / 1300
Heating Power Input Min./Stand./Max.	W	160 / 1020 / 1350
EER	W/W	4.19
EER	(Btu/h)/w	14.29
COP	W/W	3.16
COP	(Btu/h)/w	10.78
SEER		23.00
HSPF		10.50
Cooling Current	A	2.80
Heating Current	A	3.50
Rated Input	W	1350
Rated Current	A	5.8
Rated Heating Current	A	6.0
Max. Over Current Protection	A	20
Min. Current (MCA)	A	9
<b>Indoor Unit Model</b>		<b>WMMS-09E-V2B(58)4</b>
Fan Diameter Length (DxL)	inch	ø 3 55/64 × 25
Cooling Speed	r/min	1350 / 1200 / 1050 / 750
Heating Speed	r/min	1300 / 1150 / 1000 / 900
Air Flow Volume	CFM	380 / 290 / 240 / 170
Dehumidifying Volume	pt/day	1.69
Fan Motor Power Output	W	20
Fan Motor RLA	A	0.09
Fuse on Control Board	A	3
Evaporator Form		Aluminum Fin-Copper Tube
Fuse Current	A	3.15
Set Temperature Range	°F	61-86
Sound Pressure Level	dB (A)	43/39/35/29
Sound Power Level	dB (A)	53/49/45/39
<b>Outdoor Unit Model</b>		<b>WMMS-09C-V2B(58)4</b>
Compressor Brand		GR
Compressor Oil		DAPHNE FVC50K
Compressor Type		Swing
Compressor LRA.	A	20
Compressor RLA	A	4.00
Compressor Power Input	W	845
Compressor Overload Protector		KSD115°C or HPC115/95
Fan Type / Diameter	--/inch	Axial-flow / 15.748
Fan Motor Power Output	W	30
Fan Motor RLA	A	/
Outdoor Unit Air Flow Volume	CFM	1060
Condenser Fin / Tube Structure		Aluminum Fin-copper Tube
Maximum Allowable Pressure	PSIG	624
Throttling Method		Electron expansion valve
Defrosting Method		Automatic Defrosting
Sound Pressure / Power Level	dB (A)	53 / 63
Cooling Operation Ambient Temp. Range	°F	0-115
Heating Operation Ambient Temp. Range	°F	-4-75
R410A Refrigerant Factory Charge	ozs	45.9
Factory Charge for Pipe Length	ft.	24.6
Gas Additional Charge	oz/ft.	0.215

System	WMMS-09K-V2B(58)4	
<b>Dimensions &amp; Weight Indoor Unit</b>		
Indoor Unit Model	WMMS-09E-V2B(58)4	
Dimensions (WxHxD)	inch	33 9/32 × 11 3/8 × 81/4
Dimensions of Package (LxWxH)	inch	36 9/32 × 11 1/16 × 14 29/32
Net/Gross Weight	lbs	22.1 / 26.5
<b>Dimensions &amp; Weight Outdoor Unit</b>		
Outdoor Unit Model	WMMS-09C-V2B(58)4	
Dimensions of Unit (WxHxD)	Inch	33.41 × 21.31 × 12.59
Dimensions of Package (WxHxD)	Inch	34.75 × 23.41 × 14.31
Net / Gross Weight	lbs	78 / 84
<b>Connection Pipes</b>		
Factory Charge for Pipe Length	ft.	24.6
Gas Additional Charge	oz/ft.	0.215
Outer Diameter of Liquid Valve	inch	1/4"
Outer Diameter of Gas Valve	inch	3/8"
Max Elevation Difference IDU-ODU	ft.	32.8
Max Copper Line Length	ft.	50



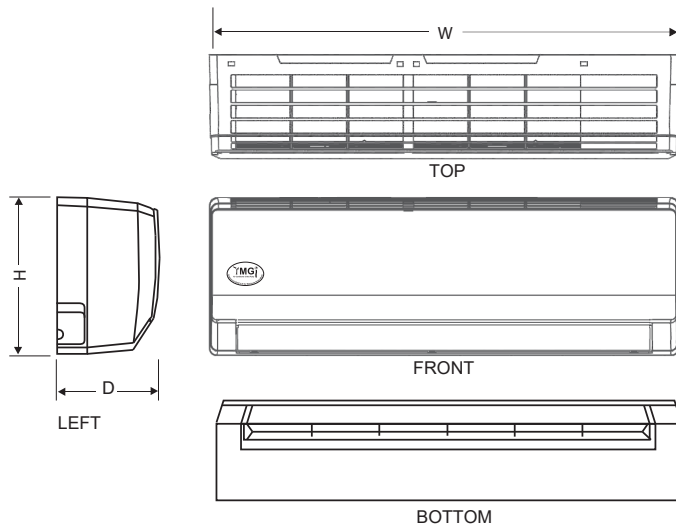
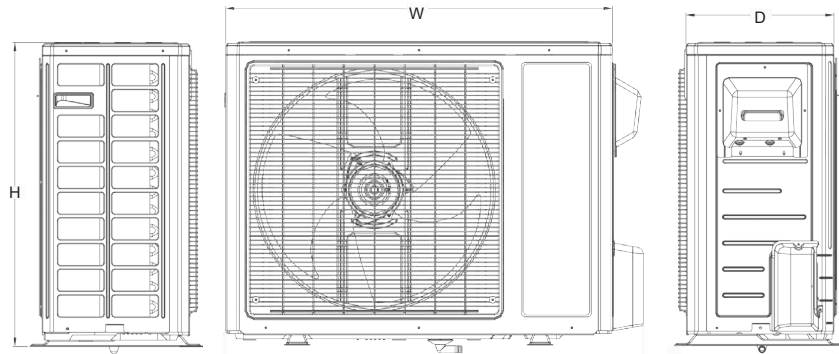
### OUTDOOR UNIT

Dimensions (inches)	
W	33.41"
H	21.31"
D	12.59"

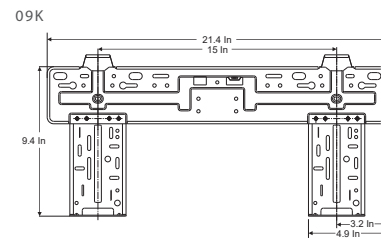


### INDOOR UNIT

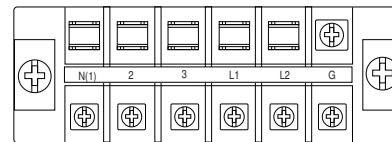
Dimensions (inches)	
W	33 9/32"
H	11 3/8"
D	8 1/4"



### MOUNTING PLATE



### TERMINAL BLOCK



### FEATURES

- 208-230/1/60 power input
- Quiet and efficient heating & cooling.
- LED display shows set temperature & operating modes.
- Motorized louver system quietly distributes air evenly
- "U-TOUCH" Remote Control.
- DC Inverter technology
- Wide working ambient temperature ranges
- Stylish design
- Compact outdoor unit with side discharge
- Outdoor unit ships pre-charged.
- World-class quality compressors
- Durable powder coated cabinet
- Default flare brass connection valves
- Knock-outs for refrigerant pipes and wires
- Built to ETL/UL/CSA/ARI standards
- Easy installation and maintenance

#### YMGI Group

601 Arrow Ln, O'Fallon, Missouri 63366  
 Phone: 1-866-833-3138  
 Fax: 1-866-377-3355  
 ymgigroup.com

Sales Representative or Distributor: