



Submittal Data Sheet: WMMS-12K-V2B(58)4

INDOOR UNIT



WMMS-12E-V2B(58)4

OUTDOOR UNIT



WMMS-12C-V2B(58)4

ACCESSORIES

- ADVANCED HEALTHY KIT
HEPA/Enzyme/Cold Catalyst Filter
Anion Generator
- THERMOSTAT
- MOUNTING BRACKETS
- FOOT RISERS
- COPPER/WIRE/ACC.SET
- LINESET COVERS
- WINTER WIND BAFFLE
- BRIDGE CONTROLLER

Job Name:		Tag #:	
Location		Date:	
General Contractor:		Mechanical Contractor:	
Sales Representative:		Sales Engineer:	
Submitted by:		Drawing #:	
Reference		PO #:	

YMGI's ductless Wall Mount Mini Split (WMMS) is designed for high performance, easy installation and servicing. The single-zone WMMS system consists of 1 wall-mounted indoor unit and 1 outdoor unit. The outdoor unit is designed for horizontal venting, making condenser installation in tight areas simple. Ideal for multi-family and high-rise buildings in residential, commercial, institutional, and industrial applications. Includes U-Touch remote control.

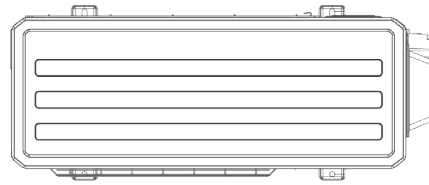
System		WMMS-12K-V2B(58)4
Power Supply	V/Ph/Hz	208-230 / 1 / 60
Power Voltage Allowed Min./Max.	V	187 / 253
Surge Protector In Incoming Power Supply	Field-Install	Recommended
Cooling Capacity	Btu/h	3100 / 12000 / 13000
Heating Capacity Min./Rating/Max.	Btu/h	2400 / 13000 / 14000
Cooling Power Input Min./Stand./Max.	W	200 / 960 / 1350
Heating Power Input Min./Stand./Max.	W	400 / 1100 / 1400
EER	W/W	3.66
EER	(Btu/h)/w	12.50
COP	W/W	3.46
COP	(Btu/h)/w	11.82
SEER		22.00
HSPF		11.00
Cooling Current	A	4.50
Heating Current	A	5.50
Rated Input	W	1400
Rated Current	A	6.0
Rated Heating Current	A	6.3
Max. Over Current Protection	A	20
Min. Current (MCA)	A	9
Indoor Unit Model		WMMS-12E-V2B(58)4
Fan Diameter Length (DxL)	inch	ø 3 55/64 x 25
Cooling Speed	r/min	1400 / 1200 / 1050 / 800
Heating Speed	r/min	1400 / 1200 / 1000 / 900
Air Flow Volume	CFM	400 / 290 / 240 / 170
Dehumidifying Volume	pt/day	2.96
Fan Motor Power Output	W	20
Fan Motor RLA	A	0.09
Fuse on Control Board	A	3
Evaporator Form		Aluminum Fin-Copper Tube
Fuse Current	A	3.15
Set Temperature Range	°F	61-86
Sound Pressure Level	dB (A)	45/39/35/29
Sound Power Level	dB (A)	55/49/45/39
Outdoor Unit Model		WMMS-12C-V2B(58)4
Compressor Brand		GR
Compressor Oil		DAPHNE FVC50K
Compressor Type		Swing
Compressor LRA.	A	20
Compressor RLA	A	4.00
Compressor Power Input	W	845
Compressor Overload Protector		KSD115°C or HPC115/95
Fan Type / Diameter	--/inch	Axial-flow / 15.748
Fan Motor Power Output	W	30
Fan Motor RLA	A	/
Outdoor Unit Air Flow Volume	CFM	1180
Condenser Fin / Tube Structure		Aluminum Fin-copper Tube
Maximum Allowable Pressure	PSIG	624
Throttling Method		Electron expansion valve
Defrosting Method		Automatic Defrosting
Sound Pressure / Power Level	dB (A)	54 / 64
Cooling Operation Ambient Temp. Range	°F	0-115
Heating Operation Ambient Temp. Range	°F	-4-75
R410A Refrigerant Factory Charge	ozs	47.6
Factory Charge for Pipe Length	ft.	24.6
Gas Additional Charge	oz/ft.	0.215

System		WMMS-12K-V2B(58)4
Dimensions & Weight Indoor Unit		
Indoor Unit Model		WMMS-12E-V2B(58)4
Dimension (WxHxD)	inch	33 9/32 x 11 3/8 x 8 1/4
Dimension of Package (LxWxH)	inch	36 9/32 x 11 1/16 x 14 29/32
Net/Gross Weight	lbs	22.1 / 26.5
Dimensions & Weight Outdoor Unit		
Outdoor Unit Model		WMMS-12C-V2B(58)4
Dimension of Unit (WxHxD)	Inch	33.4 x 23.31 x 12.63
Dimension of Package (WxHxD)	Inch	34.75 x 25.41 x 14.31
Net / Gross Weight	lbs	86 / 93
Connection Pipes		
Factory Charge for Pipe Length	ft.	24.6
Gas Additional Charge	oz/ft.	0.215
Outer Diameter of Liquid Valve	inch	1/4"
Outer Diameter of Gas Valve	inch	1/2"
Max Elevation Difference IDU-ODU	ft.	32.8
Max Copper Line Length	ft.	65



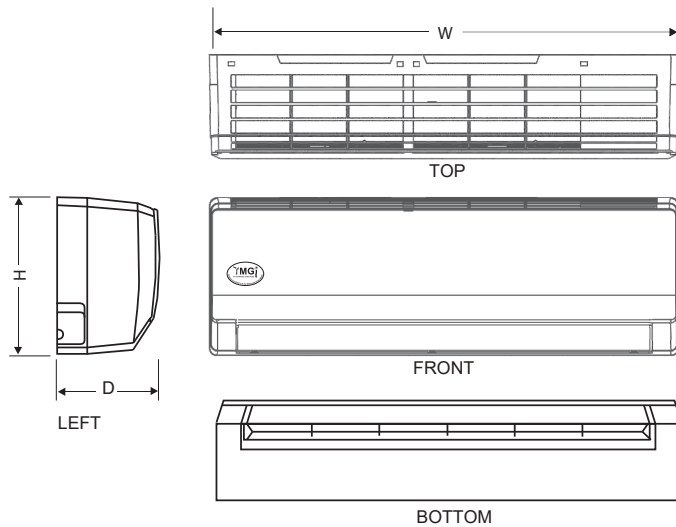
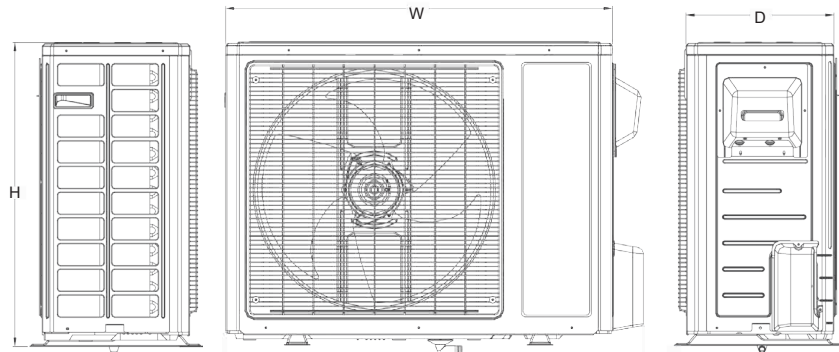
OUTDOOR UNIT

Dimensions (inches)	
W	33.4"
H	23.31"
D	12.63"

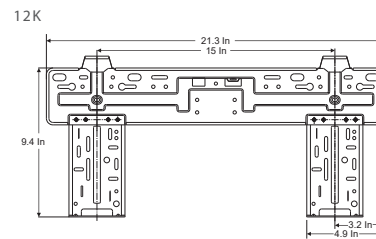


INDOOR UNIT

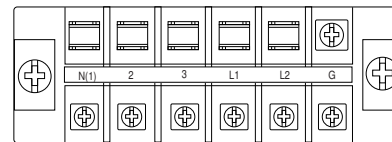
Dimensions (inches)	
W	33 9/32"
H	11 3/8"
D	8 1/4"



MOUNTING PLATE



TERMINAL BLOCK



FEATURES

- 208-230/1/60 power input
- Quiet and efficient heating & cooling.
- LED display shows set temperature & operating modes.
- Motorized louver system quietly distributes air evenly
- "U-TOUCH" Remote Control.
- DC Inverter technology
- Wide working ambient temperature ranges
- Stylish design
- Compact outdoor unit with side discharge
- Outdoor unit ships pre-charged.
- World-class quality compressors
- Durable powder coated cabinet
- Default flare brass connection valves
- Knock-outs for refrigerant pipes and wires
- Built to ETL/UL/CSA/ARI standards
- Easy installation and maintenance

YMGI Group

601 Arrow Ln, O'Fallon, Missouri 63366
 Phone: 1-866-833-3138
 Fax: 1-866-377-3355
 ymgigroup.com

Sales Representative or Distributor: