



Submittal Data Sheet: WMMS-30K-V2B(58)4

INDOOR UNIT



WMMS-30E-V2B(58)4

OUTDOOR UNIT



WMMS-30C-V2B(58)4

ACCESSORIES

- ADVANCED HEALTHY KIT
 - HEPA/Enzyme/Cold Catalyst Filter
 - Anion Generator
- THERMOSTAT
- MOUNTING BRACKETS
- FOOT RISERS
- COPPER/WIRE/ACC.SET
- LINESET COVERS
- WINTER WIND BAFFLE
- BRIDGE CONTROLLER

Job Name:		Tag #:	
Location		Date:	
General Contractor:		Mechanical Contractor:	
Sales Representative:		Sales Engineer:	
Submitted by:		Drawing #:	
Reference		PO #:	

YMGI's ductless Wall Mount Mini Split (WMMS) is designed for high performance, easy installation and servicing. The single-zone WMMS system consists of 1 wall-mounted indoor unit and 1 outdoor unit. The outdoor unit is designed for horizontal venting, making condenser installation in tight areas simple. Ideal for multi-family and high-rise buildings in residential, commercial, institutional, and industrial applications. Includes U-Touch remote control.

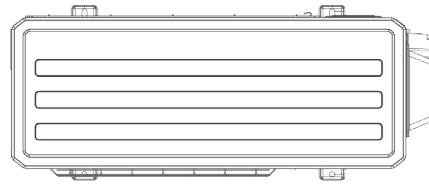
System	WMMS-30K-V2B(58)4	
Power Supply	V/Ph/Hz	208-230 / 1 / 60
Power Voltage Allowed Min./Max.	V	187 / 253
Surge Protector In Incoming Power Supply	Field-Install	Recommended
Cooling Capacity	Btu/h	9500 / 28000 / 30000
Heating Capacity Min./Rating/Max.	Btu/h	10000 / 28400 / 33000
Cooling Power Input Min./Stand./Max.	W	600 / 2700 / 3900
Heating Power Input Min./Stand./Max.	W	650 / 2800 / 4000
EER	W/W	3.04
EER	(Btu/h)/w	10.37
COP	W/W	2.97
COP	(Btu/h)/w	10.14
SEER		18.00
HSPF		9.00
Cooling Current	A	11.5
Heating Current	A	12
Rated Input	W	4000
Rated Current	A	17
Rated Heating Current	A	17.5
Max. Over Current Protection	A	30
Min. Current (MCA)	A	20
Indoor Unit Model		
Fan Diameter Length (DxL)	inch	ø 4 1/4 x 20 37/64
Cooling Speed	r/min	1350 / 1150 / 950 / 850
Heating Speed	r/min	1350 / 1200 / 1000 / 800
Air Flow Volume	CFM	710 / 660 / 530 / 410
Dehumidifying Volume	pt/day	6.34
Fan Motor Power Output	W	70
Fan Motor RLA	A	0.4
Fuse on Control Board	A	3
Evaporator Form		Aluminum Fin-Copper Tube
Fuse Current	A	3.15
Set Temperature Range	°F	61-86
Sound Pressure Level	dB (A)	/
Sound Power Level	dB (A)	/
Outdoor Unit Model		
Compressor Brand		GR
Compressor Oil		PVE
Compressor Type		Rotary
Compressor LRA.	A	40.00
Compressor RLA	A	13.45
Compressor Power Input	W	2450
Compressor Overload Protector		1NT11L-6233
Fan Type / Diameter	--/inch	Axial-flow / 21.654
Fan Motor Power Output	W	120
Fan Motor RLA	A	0.45
Outdoor Unit Air Flow Volume	CFM	2350
Condenser Fin / Tube Structure		Aluminum Fin-copper Tube
Maximum Allowable Pressure	PSIG	624
Throttling Method		Electron expansion valve
Defrosting Method		Automatic Defrosting
Sound Pressure / Power Level	dB (A)	62 / 72
Cooling Operation Ambient Temp. Range	°F	0-115
Heating Operation Ambient Temp. Range	°F	-4-75
R410A Refrigerant Factory Charge	ozs	84.66
Factory Charge for Pipe Length	ft.	24.6
Gas Additional Charge	oz/ft.	0.538

System	WMMS-30K-V2B(58)4	
Dimensions & Weight Indoor Unit		
Indoor Unit Model		WMMS-30E-V2B(58)4
Dimension (WxHxD)	inch	53 5/32 x 12 27/32 x 9 31/32
Dimension of Package (LxWxH)	inch	56 3/4 x 16 19/32 x 14 3/32
Net/Gross Weight	lbs	41.9 / 51.8
Dimensions & Weight Outdoor Unit		
Outdoor Unit Model		WMMS-30C-V2B(58)4
Dimension of Unit (WxHxD)	Inch	38.63 x 31.13 x 16.81
Dimension of Package (WxHxD)	Inch	42.75 x 33.75 x 19.22
Net / Gross Weight	lbs	154 / 165
Connection Pipes		
Factory Charge for Pipe Length	ft.	24.6
Gas Additional Charge	oz/ft.	0.538
Outer Diameter of Liquid Valve	inch	1/4"
Outer Diameter of Gas Valve	inch	5/8"
Max Elevation Difference IDU-ODU	ft.	32.8
Max Copper Line Length	ft.	100



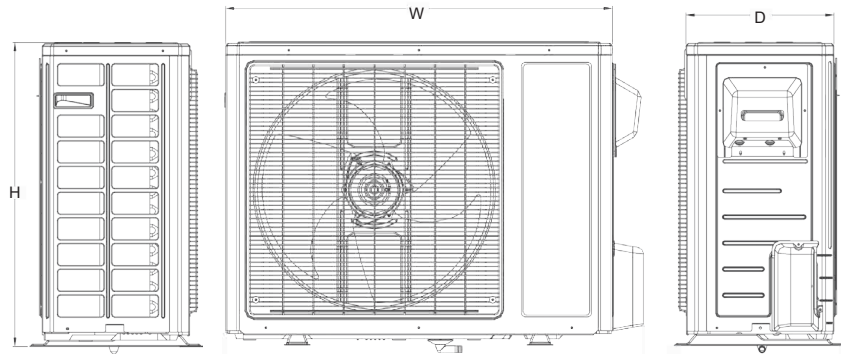
OUTDOOR UNIT

Dimensions (inches)	
W	38.63"
H	31.13"
D	16.81"

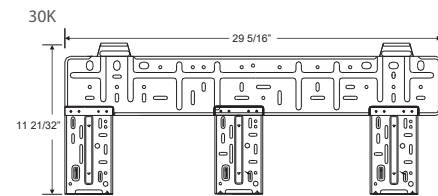


INDOOR UNIT

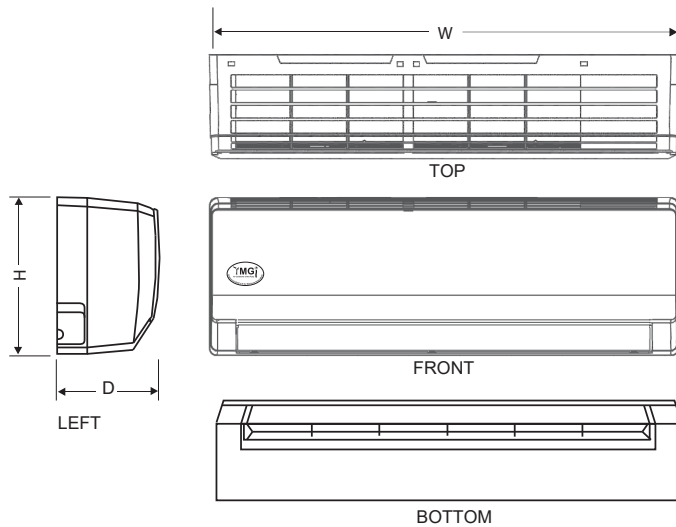
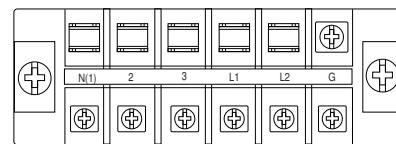
Dimensions (inches)	
W	53 5/32"
H	12 27/32"
D	9 31/32"



MOUNTING PLATE



TERMINAL BLOCK



FEATURES

- 208-230/1/60 power input
- Quiet and efficient heating & cooling.
- LED display shows set temperature & operating modes.
- Motorized louver system quietly distributes air evenly
- "U-TOUCH" Remote Control.
- DC Inverter technology
- Wide working ambient temperature ranges
- Stylish design
- Compact outdoor unit with side discharge
- Outdoor unit ships pre-charged.
- World-class quality compressors
- Durable powder coated cabinet
- Default flare brass connection valves
- Knock-outs for refrigerant pipes and wires
- Built to ETL/UL/CSA/ARI standards
- Easy installation and maintenance

YMGI Group

601 Arrow Ln, O'Fallon, Missouri 63366

Phone: 1-866-833-3138

Fax: 1-866-377-3355

ymgigroup.com

Sales Representative or Distributor: