



## Submittal Data Sheet: WMMS-30CH-V2B(59)4

### OUTDOOR UNIT



**WMMS-30CH-V2B(59)4**  
1 to 2 zones

### ACCESSORIES

- MOUNTING BRACKETS
- FOOT RISERS
- COPPER/WIRE/ACC.SET
- LINESET COVERS
- WINTER WIND BAFFLE

Job Name:		Tag #:	
Location		Date:	
General Contractor:		Mechanical Contractor:	
Sales Representative:		Sales Engineer:	
Submitted by:		Drawing #:	
Reference		PO #:	

The CHOIR outdoor condensing unit has a 22 SEER rating. With a 30k Btu/h capacity and capable of heating and cooling 1 to 2 zones. The CHOIR requires 208-230 volt, 1 phase, 60Hz power. Refrigerant is pumped as a thermal medium to disperse heat into ambient air in the summer; while absorbing heat from ambient air in the winter. The compact design allows for ground installation, or mounting in a variety of discreet locations, including on a wall, under a deck or a balcony.

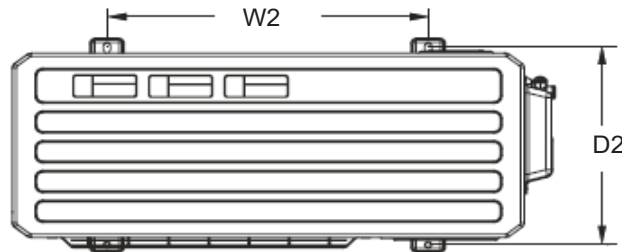
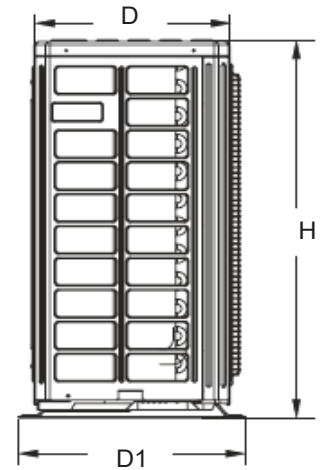
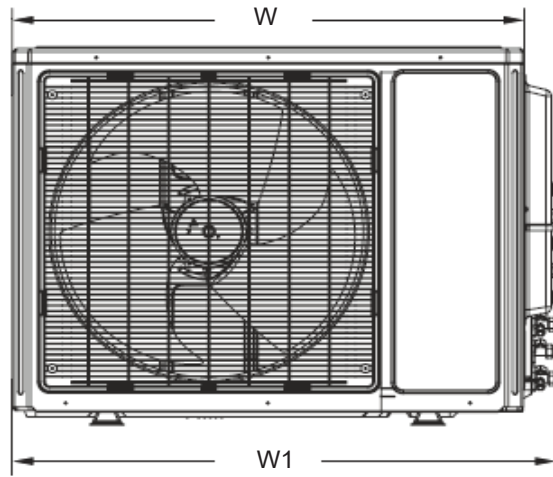
Outdoor Unit Models		WMMS-30CH-V2B(59)4
Maximum drive IDU NO.		2
Power Supply		208-230 / 1 / 60
Cooling Capacity* (Btu/h)	Max. IDU Cap. Total 2	30,000 (2 Thermal Zones)
	Rated 1	18,000
	Min.	7,000
Total Power Input in Cooling Mode* (W)	Max.	2300
	Rated	1550
	Min.	650
SEER		22.00
HSPF		10.50
Heating Capacity* (Btu/h)	Max. IDU Cap Total 2	32,000
	Rated 1	19,000
	Min.	7,000
Total Power Input in Heating Mode*	Max.	2400
	Rated	1750
	Min.	650
Compressor Oil		RB68EP
L.R.A.	A	27
Compressor RLA	A	10.82
Compressor Power Input	W	1440
MCA	A	15
Fuse or Circuit Breaker (HVAC Type)	A	25
Throttling Method		Electronic Expansion Valve
Starting Method		Transducer starting
Recommended Working Ambient Temp Ranges	°F	AC: 0 ~ 118 HP: -4 ~ 75
Condenser		Aluminum fin-copper tube
Output of Fan Motor	W	60
Fan Motor RLA	A	0.65
Fan Motor Capacitor	uF	3
Fan Type-Piece		Axial-flow 1
Fan Diameter	In.	20.47
Defrosting Method		Auto Defrost
Isolation		I
Moisture Protection		IP24
Max. Operating Pressure at High Side	PSI	550
Max. Operating Pressure at Low Side	PSI	175
Sound Pressure Level dB (H/L)	A	56
Sound Power Level dB (H/L)	A	63

Outdoor Unit Models		WMMS-30CH-V2B(59)4
<b>Connection Pipes</b>		
R410A Refrigerant /Factory Pre-Charge for 25'	LBs	3.53
Liquid Valve Size	In	2 x 1/4"
Gas Valve Size	In	2 x 3/8"
<b>Dimensions &amp; Weight Outdoor Unit</b>		
Outdoor Unit Dimensions (W x H x D)	In.	38 x 27.6 x 13.4
Package Dimensions (W x H x D)	In.	40.5 x 29.53 x 18.03
Net /Gross Weight	LBs	114.6 / 124.5

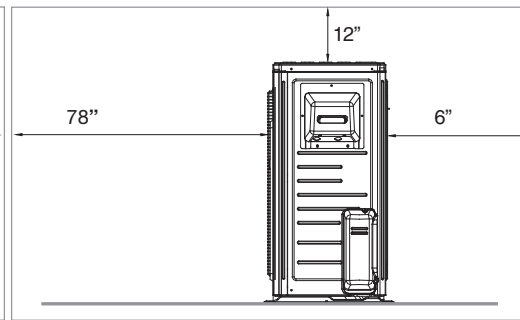
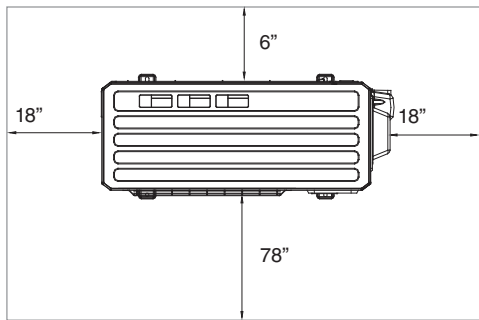


### OUTDOOR UNIT

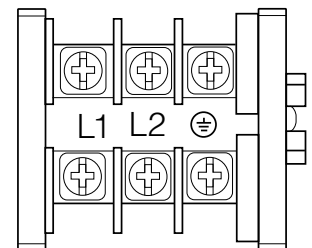
Dimensions (inches)	
W	35.1"
H	27.6"
D	13.4"
W1	38.0"
D1	15.6"
W2	22"
D2	14.5"



### CLEARANCES



### TERMINAL BLOCK



### FEATURES

- 208-230/1/60 power input
- Quiet and efficient heating & cooling.
- DC Inverter technology
- Wide working ambient temperature ranges
- Compact outdoor unit with side discharge
- Outdoor unit ships pre-charged.
- High quality compressors
- Durable powder coated cabinet
- Standard flare brass connection valves
- Built to ETL/UL/CSA/AHRI standards
- Easy installation and maintenance

**YMGI Group**  
 601 Arrow Ln, O'Fallon, Missouri 63366  
 Phone: 1-866-833-3138  
 Fax: 1-866-377-3355  
 ymgigroup.com  
 sales@ymgigroup.com

Sales Representative or Distributor:



Cooling Capacity (Btu/H)

Indoor Units Combinations	Rated System Capacity (BtuH)	Capacity Rating (Min.~Max.) BtuH	Indoor Unit A (BtuH)	Indoor Unit B (BtuH)	Indoor Unit C (BtuH)	Indoor Unit D (BtuH)
9k	9000	5118~11940	9000			
12k	12000	6824~15000	12000			
9k+9k	18000	7000~21000	9000	9000		
9k+12k	21000	7100~22000	9000	12000		
12k+12k	24000	7200~22000	12000	12000		

Heating Capacity (Btu/H)

Indoor Units Combinations	Rated System Capacity (BtuH)	Capacity Rating (Min.~Max.) BtuH	Indoor Unit A (BtuH)	Indoor Unit B (BtuH)	Indoor Unit C (BtuH)	Indoor Unit D (BtuH)
9k	9500	5460~15360	9500			
12k	13000	6150~16400	13000			
9k+9k	19000	8530~22600	9500	9500		
9k+12k	22500	8530~22600	9500	13000		
12k+12k	26000	8530~22600	13000	13000		

Capacity data is based on the following conditions:

Cooling Nominal Test Conditions

Indoor: 80°F DB/67°F WB

Outdoor: 95°F DB/75°F WB

Heating Nominal Test Conditions

Indoor: 70°F DB/60°F WB

Outdoor: 47°F DB/43°F WB



### Cooling Performance

Outdoor Ambient Temperature (DB)	Indoor Entering Air Temperature (DB) 50% RH					
	62°F		67°F		72 ° F	
	TC	SHC	TC	SHC	TC	SHC
25°F	22145	16443	23936	17330	25587	18422
35°F	21641	16423	23047	16825	24167	17473
45°F	20572	15799	22000	16324	23571	17089
55°F	19805	15329	21119	15839	22640	16528
65°F	19130	14864	21049	15977	22320	16316
75°F	18378	14371	19800	15226	21296	15716
85°F	17640	14006	18900	14591	20520	15329
95°F	16740	13375	18000	14382	19692	14789
105°F	15840	12862	17060	13614	18540	14239
115°F	14939	12309	15839	12829	16919	13248

### Heating Performance

Outdoor Ambient Temperature (DB) (80% RH)	Indoor Entering Air Temperature (DB)					
	65°F		70°F		75 ° F	
	TC	SHC	TC	SHC	TC	SHC
5°F	15608	15608	14731	14731	14370	14370
15°F	16684	16684	15221	15221	15130	15130
25°F	17702	17702	16802	16802	15846	15846
35°F	18691	18691	17300	17300	16574	16574
45°F	19667	19667	19000	19000	17849	17849
55°F	19693	19693	19124	19124	18287	18287
65°F	19600	19600	19314	19314	18719	18719

TH: Total Capacity (BtuH)  
 SHC: Sensible Capacity (BtuH)