



Submittal Data Sheet: WMMS-36CH-V2B(59)4

OUTDOOR UNIT



WMMS-36CH-V2B(59)4
2 to 3 zones

ACCESSORIES

- MOUNTING BRACKETS
- FOOT RISERS
- COPPER/WIRE/ACC.SET
- LINESET COVERS
- WINTER WIND BAFFLE

Job Name:		Tag #:	
Location		Date:	
General Contractor:		Mechanical Contractor:	
Sales Representative:		Sales Engineer:	
Submitted by:		Drawing #:	
Reference		PO #:	

The CHOIR outdoor condensing unit has a 21 SEER rating. With a 36k Btu/h capacity and capable of heating and cooling 1 to 3 zones. The CHOIR requires 208-230 volt, 1 phase, 60Hz power. Refrigerant is pumped as a thermal medium to disperse heat into ambient air in the summer; while absorbing heat from ambient air in the winter. The compact design allows for ground installation, or mounting in a variety of discreet locations, including on a wall, under a deck or a balcony.

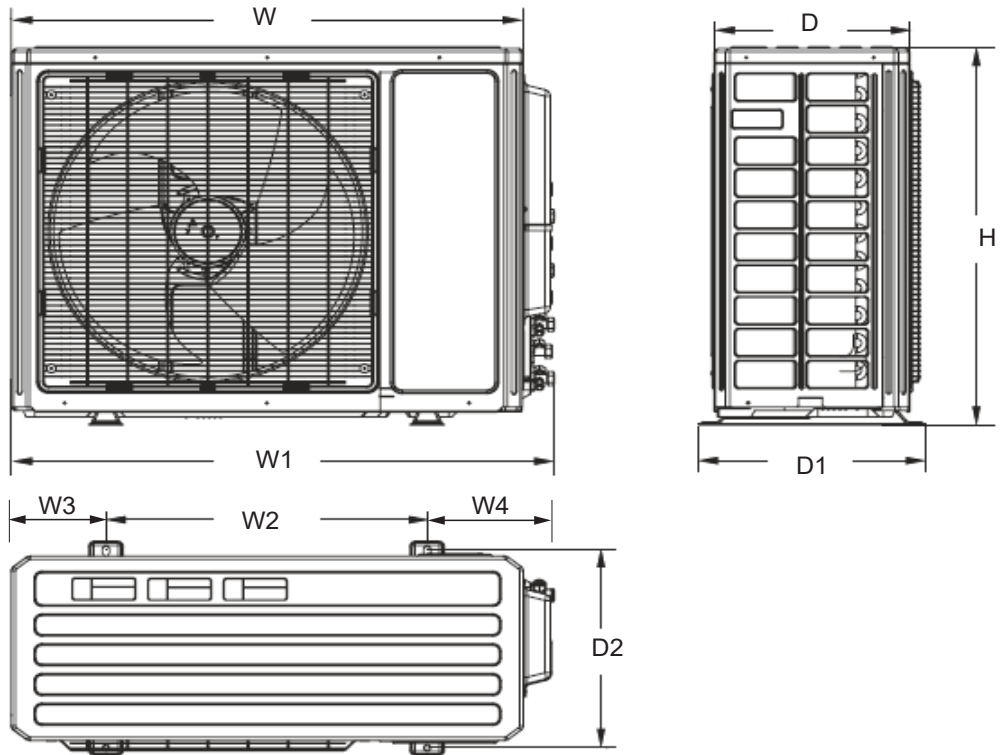
Outdoor Unit Models		WMMS-36CH-V2B(59)4
Maximum drive IDU NO.		3
Power Supply		208-230 / 1 / 60
Cooling Capacity* (Btu/h)	Max. IDU Cap. Total 2	36,000 (2 Thermal Zones)
	Rated 1	24,000
	Min	7,500
Total Power Input in Cooling Mode* (W)	Max.	3300
	Rated	2250
	Min.	800
SEER		21.00
HSPF		10.50
Heating Capacity* (Btu/h)	Max. IDU Cap Total 2	38,000
	Rated 1	26,000
	Min.	7,500
Total Power Input in Heating Mode*	Max.	3000
	Rated	2500
	Min.	800
Compressor Oil		RB68EP
L.R.A.	A	45
Compressor RLA	A	15.82
Compressor Power Input	W	2550
MCA	A	20
Fuse or Circuit Breaker (HVAC Type)	A	30
Throttling Method		Electronic Expansion Valve
Starting Method		Transducer starting
Recommended Working Ambient Temp Ranges		°F AC: 0 ~ 118 HP: -4 ~ 75
Condenser		Aluminum fin-copper tube
Output of Fan Motor	W	90
Fan Motor RLA	A	0.65
Fan Motor Capacitor	uF	3.5
Fan Type-Piece		Axial-flow 1
Fan Diameter	In.	21.65
Defrosting Method		Auto Defrost
Isolation		I
Moisture Protection		IP24
Max. Operating Pressure at High Side	PSI	550
Max. Operating Pressure at Low Side	PSI	175
Sound Pressure Level dB (H/L)	A	59
Sound Power Level dB (H/L)	A	69

Outdoor Unit Models	WMMS-36CH-V2B(59)4	
Connection Pipes		
R410A Refrigerant /Factory Pre-Charge for 25'	LBs	4.85
Liquid Valve Size	In	3 x 1/4"
Gas Valve Size	In	3 x 3/8"
Dimensions & Weight Outdoor Unit		
Outdoor Unit Dimensions (W x H x D)	In.	38.6 x 31.1 x 13.4
Package Dimensions (W x H x D)	In.	42.63 x 33.63 x 19.22
Net /Gross Weight	LBs	153 / 164

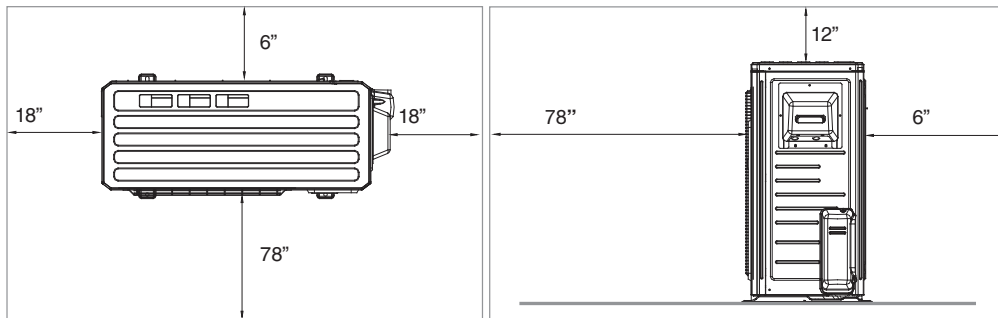


OUTDOOR UNIT

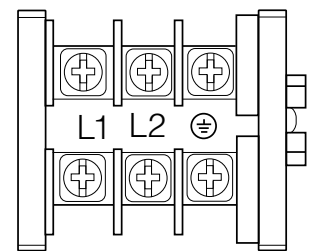
Dimensions (inches)	
W	35.1"
H	31.1"
D	13.4"
W1	38.6"
D1	17.3"
W2	24.8"
D2	14.5"
W3	6"
W4	7"



CLEARANCES



TERMINAL BLOCK



FEATURES

- 208-230/1/60 power input
- Quiet and efficient heating & cooling.
- DC Inverter technology
- Wide working ambient temperature ranges
- Compact outdoor unit with side discharge
- Outdoor unit ships pre-charged.
- High quality compressors
- Durable powder coated cabinet
- Standard flare brass connection valves
- Built to ETL/UL/CSA/AHRI standards
- Easy installation and maintenance

YMGI Group
 601 Arrow Ln, O'Fallon, Missouri 63366
 Phone: 1-866-833-3138
 Fax: 1-866-377-3355
 ymgigroup.com
 sales@ymgigroup.com

Sales Representative or Distributor:



Cooling Capacity (Btu/H)

Indoor Units Combinations	Rated System Capacity (BtuH)	Capacity Rating (Min.~Max.) BtuH	Indoor Unit A (BtuH)	Indoor Unit B (BtuH)	Indoor Unit C (BtuH)	Indoor Unit D (BtuH)
9k+9k	18000	6824~26600	9000	9000		
9k+12k	21000	7165~27300	9000	12000		
12k+12k	24000	7200~30000	12000	12000		
9k+18k	25000	7300~32000	8400	16600		
12k+18k	25000	7400~32500	10000	15000		
18k+18k	25500	7500~32500	12750	12750		
9k+9k+9k	26000	7500~34000	8667	8667	8667	
9k+9k+12k	26000	7500~34000	8000	8000	10000	
9k+12k+12k	26000	7500~34000	6000	10000	10000	
9k+9k+18k	26000	7500~34000	7000	7000	12000	
12k+12k+12k	26000	7500~34000	8667	8667	8667	

Heating Capacity (Btu/H)

Indoor Units Combinations	Rated System Capacity (BtuH)	Capacity Rating (Min.~Max.) BtuH	Indoor Unit A (BtuH)	Indoor Unit B (BtuH)	Indoor Unit C (BtuH)	Indoor Unit D (BtuH)
9k+9k	19000	7100~33000	9500	9500		
9k+12k	22500	7100~33500	9500	13000		
12k+12k	26000	7200~34000	13000	13000		
9k+18k	27000	7300~34000	9000	18000		
12k+18k	28000	7400~34000	11200	16800		
18k+18k	28500	7400~34400	14250	14250		
9k+9k+9k	29000	7500~35000	9667	9667	9667	
9k+9k+12k	29000	7600~35000	9000	9000	11000	
9k+12k+12k	29000	7600~35000	6000	11500	11500	
9k+9k+18k	29000	7600~35000	6000	6000	17000	
12k+12k+12k	29000	7600~35000	9667	9667	9667	

Capacity data is based on the following conditions:

Cooling Nominal Test Conditions

Indoor: 80°F DB/67°F WB
 Outdoor: 95°F DB/75°F WB

Heating Nominal Test Conditions

Indoor: 70°F DB/60°F WB
 Outdoor: 47°F DB/43°F WB



Cooling Performance

Outdoor Ambient Temperature (DB)	Indoor Entering Air Temperature (DB) 50% RH					
	62°F		67°F		72°F	
	TC	SHC	TC	SHC	TC	SHC
25°F	31988	23751	34575	25032	36959	26610
35°F	31260	23723	33291	24302	34907	25238
45°F	29716	22821	31777	23579	34047	24684
55°F	28608	22142	30506	22879	32703	23873
65°F	27633	21471	30405	23077	32240	23567
75°F	26546	20759	28600	21994	30760	22701
85°F	25480	20231	27300	21075	29640	22141
95°F	24180	19320	26000	20774	28444	21361
105°F	22880	18579	24643	19665	26780	20567
115°F	21578	17780	22878	18531	24438	19135

Heating Performance

Outdoor Ambient Temperature (DB) (80% RH)	Indoor Entering Air Temperature (DB)					
	65°F		70°F		75°F	
	TC	SHC	TC	SHC	TC	SHC
5°F	23823	23823	22484	22484	21933	21933
15°F	25465	25465	23232	23232	23092	23092
25°F	27019	27019	25645	25645	24186	24186
35°F	28528	28528	26405	26405	25297	25297
45°F	30018	30018	29000	29000	27243	27243
55°F	30058	30058	29189	29189	27912	27912
65°F	29916	29916	29479	29479	28571	28571

TH: Total Capacity (BtuH)
 SHC: Sensible Capacity (BtuH)