



Submittal Data Sheet: WMMS-48CH-V2B(59)4

OUTDOOR UNIT



WMMS-48CH-V2B(59)4
2 to 5 zones

ACCESSORIES

- MOUNTING BRACKETS
- FOOT RISERS
- COPPER/WIRE/ACC.SET
- LINESET COVERS
- WINTER WIND BAFFLE

Job Name:		Tag #:	
Location		Date:	
General Contractor:		Mechanical Contractor:	
Sales Representative:		Sales Engineer:	
Submitted by:		Drawing #:	
Reference		PO #:	

The CHOIR outdoor condensing unit has a 21 SEER rating. With a 48k Btu/h capacity and capable of heating and cooling 1 to 4 zones. The CHOIR requires 208-230 volt, 1 phase, 60Hz power. Refrigerant is pumped as a thermal medium to disperse heat into ambient air in the summer; while absorbing heat from ambient air in the winter. The compact design allows for ground installation, or mounting in a variety of discreet locations, including on a wall, under a deck or a balcony.

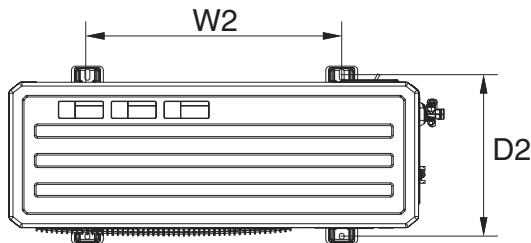
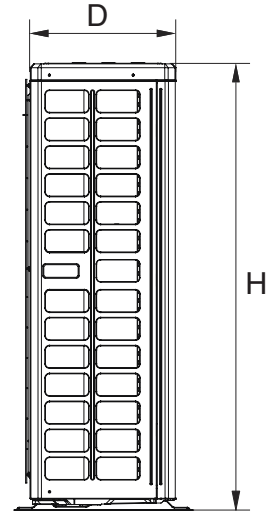
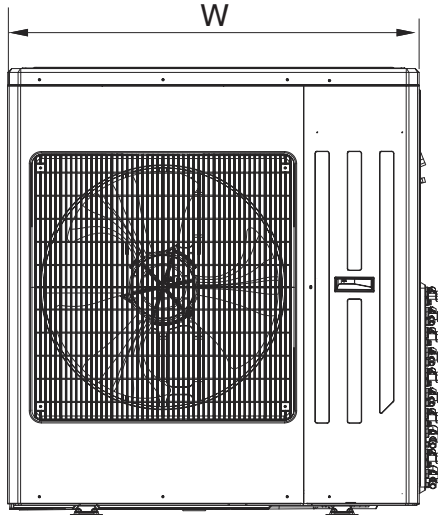
Outdoor Unit Models		WMMS-48CH-V2B(59)4
Maximum drive IDU NO.		5
Power Supply		208-230 / 1 / 60
Cooling Capacity* (Btu/h)	Max. IDU Cap. Total 2	48,000 (2 Thermal Zones)
	Rated 1	34,000
	Min	8,900
Total Power Input in Cooling Mode* (W)	Max.	4500
	Rated	2600
	Min.	1000
SEER		21.00
HSPF		10.50
Heating Capacity* (Btu/h)	Max. IDU Cap Total 2	59,000
	Rated 1	42,500
	Min.	8,900
Total Power Input in Heating Mode*	Max.	3500
	Rated	2920
	Min.	1000
Compressor Oil		FV50S
L.R.A.	A	45
Compressor RLA	A	15.6
Compressor Power Input	W	4150
MCA	A	30-All IDUs EW / 40-All IDUs EC or EU
Fuse or Circuit Breaker (HVAC Type)	A	40-All IDUs EW / 50-All IDUs EC or EU
Throttling Method		Electronic Expansion Valve
Starting Method		Transducer starting
Recommended Working Ambient Temp Ranges	°F	AC: 0 ~ 118 HP: -4 ~ 75
Condenser		Aluminum fin-copper tube
Output of Fan Motor	W	170
Fan Motor RLA	A	0.65
Fan Motor Capacitor	uF	3.5
Fan Type-Piece		Axial-flow 1
Fan Diameter	In.	22.44
Defrosting Method		Auto Defrost
Isolation		I
Moisture Protection		IP24
Max. Operating Pressure at High Side	PSI	550
Max. Operating Pressure at Low Side	PSI	175
Sound Pressure Level dB (H/L)	A	61
Sound Power Level dB (H/L)	A	71

Outdoor Unit Models	WMMS-48CH-V2B(59)4	
Connection Pipes		
R410A Refrigerant /Factory Pre-Charge for 25'	LBs	8.05
Liquid Valve Size	In	5 x 1/4"
Gas Valve Size	In	5 x 3/8"
Dimensions & Weight Outdoor Unit		
Outdoor Unit Dimensions (W x H x D)	In.	42.75 x 43.38 x 17.63
Package Dimensions (W x H x D)	In.	45.56 x 48.63 x 19.75
Net /Gross Weight	LBs	198.4 / 216

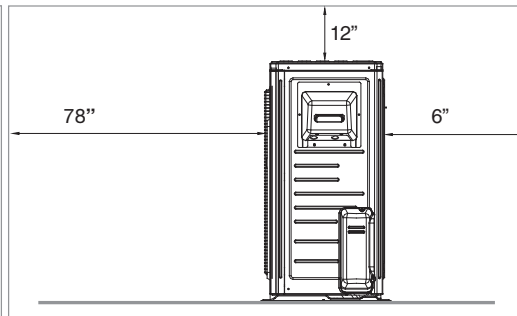
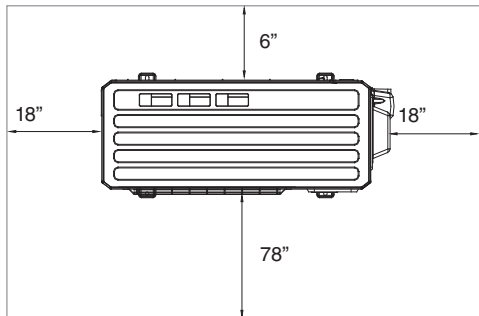


OUTDOOR UNIT

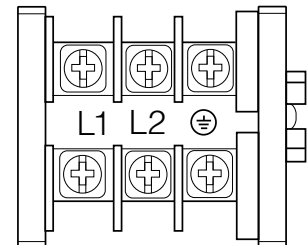
Dimensions (inches)	
W	42.75"
H	43.38"
D	17.63"
W2	24.8"
D2	14.8"



CLEARANCES



TERMINAL BLOCK



FEATURES

- 208-230/1/60 power input
- Quiet and efficient heating & cooling.
- DC Inverter technology
- Wide working ambient temperature ranges
- Compact outdoor unit with side discharge
- Outdoor unit ships pre-charged.
- High quality compressors
- Durable powder coated cabinet
- Standard flare brass connection valves
- Built to ETL/UL/CSA/AHRI standards
- Easy installation and maintenance

YMGI Group
 601 Arrow Ln, O'Fallon, Missouri 63366
 Phone: 1-866-833-3138
 Fax: 1-866-377-3355
 ymgigroup.com
 sales@ymgigroup.com

Sales Representative or Distributor:



Cooling Capacity (Btu/H)

Indoor Units Combinations	Rated System Capacity (BtuH)	Capacity Rating (Min.-Max.) BtuH	Indoor Unit A (BtuH)	Indoor Unit B (BtuH)	Indoor Unit C (BtuH)	Indoor Unit D (BtuH)
9k+9k	17060	10236~26614	8530	8530		
9k+12k	20472	10236~27297	8530	12283		
9k+18k	24226	10236~31391	7506	16719		
9k+24k(2)	27297	10236~31391	6824	20472		
12k+12k	20472	10236~31391	10236	10236		
12k+18k	27297	10236~32415	10577	13648		
12k+24k(2)	27297	10236~32415	10236	17060		
18k+18k	27297	10236~32415	13648	13648		
18k+24k(2)	27297	10236~32415	12283	15354		
24k+24k(2)	27297	10236~32415	13648	13648		
9k+9k+9k	24567	10236~30709	8189	8189	8189	
9k+9k+12k	24567	10236~30709	6994	7336	10236	
9k+9k+18k	29685	10236~32756	7165	7165	15354	
9k+9k+24k(2)	29685	10236~32756	6312	6312	17060	
9k+12k+12k	29685	10236~32756	7506	11089	11089	
9k+12k+18k	29685	10236~32756	6141	10065	13477	
9k+12k+24k(2)	29685	10236~32756	5459	8018	16207	
9k+18k+18k	29685	10236~32756	5971	11771	11771	
9k+18k+24k(2)	29685	10236~32756	5459	9042	15184	
12k+12k+12k	29685	10236~32756	9895	9895	9895	
12k+12k+18k	29685	10236~32756	8530	8530	12624	
12k+12k+24k(2)	29685	10236~32756	7506	7506	14672	
12k+18k+18k	29685	10236~32756	9212	12283	12283	
18k+18k+18k	29685	10236~32756	9895	9895	9895	
9k+9k+9k+9k	33438	10236~34121	8359	8359	8359	8359
9k+9k+9k+12k	33438	10236~34121	7506	7506	7506	10918
9k+9k+9k+18k	33438	10236~34121	6824	6824	6824	12283
9k+9k+9k+24k(2)	33438	10236~34121	6141	6141	6141	15013
9k+9k+12k+12k	33438	10236~34121	6824	6824	9895	9895
9k+9k+12k+18k	33438	10236~34121	6312	6312	8871	12283
9k+9k+18k+18k	33438	10236~34121	5459	5459	11260	11260
9k+12k+12k+12k	33438	10236~34121	7847	8530	8530	8530
9k+12k+12k+18k	33438	10236~34121	6141	7506	7506	12283
12k+12k+12k+12k	33438	10236~34121	8359	8359	8359	8359

Cooling Performance

Outdoor Ambient Temperature (DB)	Indoor Entering Air Temperature (DB) 50% RH					
	62°F		67°F		72°F	
	TC	SHC	TC	SHC	TC	SHC
25°F	41830	31059	45213	32734	48331	34798
35°F	40878	31022	43534	31780	45648	33004
45°F	38859	29843	41555	30834	44523	32279
55°F	37410	28955	39892	29919	42765	31219
65°F	36135	28077	39760	30178	42160	30819
75°F	34714	27146	37400	28761	40225	29686
85°F	33320	26456	35700	27560	38760	28954
95°F	31620	25264	34000	27166	37196	27934
105°F	29920	24295	32225	25716	35020	26895
115°F	28220	23253	29920	24235	31960	25025

Capacity data is based on the following conditions:

Cooling Nominal Test Conditions
 Indoor: 80°F DB/67°F WB
 Outdoor: 95°F DB/75°F WB

TH: Total Capacity (BtuH)
 SHC: Sensible Capacity (BtuH)



Heating Capacity (Btu/H)

Indoor Units Combinations	Rated System Capacity (BtuH)	Capacity Rating (Min.~Max.) BtuH	Indoor Unit A (BtuH)	Indoor Unit B (BtuH)	Indoor Unit C (BtuH)	Indoor Unit D (BtuH)
9k+9k	22178	15354~29003	11089	11089		
9k+12k	26614	15354~32756	11089	15968		
9k+18k	31494	15354~33780	9758	21735		
9k+24k(2)	32756	15354~33780	8189	24567		
12k+12k	26614	15354~33780	13307	13307		
12k+18k	32756	15354~33780	12693	16378		
12k+24k(2)	32756	15354~33780	12283	20472		
18k+18k	32756	15354~33780	16378	16378		
18k+24k(2)	32756	15354~33780	14740	18425		
24k+24k(2)	32756	15354~33780	16378	16378		
9k+9k+9k	27024	15354~33780	9008	9008	9008	
9k+9k+12k	27024	15354~33780	7694	8069	11260	
9k+9k+18k	35622	15354~37533	8598	8598	18425	
9k+9k+24k(2)	35622	15354~37533	7574	7574	20472	
9k+12k+12k	35622	15354~37533	9008	13307	13307	
9k+12k+18k	35622	15354~37533	7370	12078	16173	
9k+12k+24k(2)	35622	15354~37533	6551	9622	19449	
9k+18k+18k	35622	15354~37533	7165	14126	14126	
9k+18k+24k(2)	35622	15354~37533	6551	10850	18220	
12k+12k+12k	35622	15354~37533	11874	11874	11874	
12k+12k+18k	35622	15354~37533	10236	10236	15149	
12k+12k+24k(2)	35622	15354~37533	9008	9008	17606	
12k+18k+18k	35622	15354~37533	11055	14740	14740	
18k+18k+18k	35622	15354~37533	11874	11874	11874	
9k+9k+9k+9k	40126	15354~40945	10031	10031	10031	10031
9k+9k+9k+12k	40126	15354~40945	9008	9008	9008	13102
9k+9k+9k+18k	40126	15354~40945	8189	8189	8189	14740
9k+9k+9k+24k(2)	40126	15354~40945	7370	7370	7370	18016
9k+9k+12k+12k	40126	15354~40945	8189	8189	11874	11874
9k+9k+12k+18k	40126	15354~40945	7574	7574	10645	14740
9k+9k+18k+18k	40126	15354~40945	6551	6551	13512	13512
9k+12k+12k+12k	40126	15354~40945	9417	10236	10236	10236
9k+12k+12k+18k	40126	15354~40945	7370	9008	9008	14740
12k+12k+12k+12k	40126	15354~40945	10031	10031	10031	10031

Heating Performance

Outdoor Ambient Temperature (DB) (80% RH)	Indoor Entering Air Temperature (DB)					
	65°F		70°F		75°F	
	TC	SHC	TC	SHC	TC	SHC
5°F	26628	26628	25131	25131	24515	24515
15°F	28463	28463	25967	25967	25811	25811
25°F	30200	30200	28664	28664	27033	27033
35°F	31886	31886	29513	29513	28275	28275
45°F	33552	33552	32414	32414	30450	30450
55°F	33597	33597	32414	32414	31198	31198
65°F	33438	33438	32949	32949	31934	31934

Capacity data is based on the following conditions:

Heating Nominal Test Conditions
 Indoor: 70°F DB/60°F WB
 Outdoor: 47°F DB/43°F WB

TH: Total Capacity (BtuH)
 SHC: Sensible Capacity (BtuH)