



## Submittal Data Sheet: WMMS-60CH-V2B(59)4

### OUTDOOR UNIT



**WMMS-60CH-V2B(59)4**  
2 to 5 zones

### ACCESSORIES

- MOUNTING BRACKETS
- FOOT RISERS
- COPPER/WIRE/ACC.SET
- LINESET COVERS
- WINTER WIND BAFFLE

Job Name:		Tag #:	
Location		Date:	
General Contractor:		Mechanical Contractor:	
Sales Representative:		Sales Engineer:	
Submitted by:		Drawing #:	
Reference		PO #:	

The CHOIR outdoor condensing unit has a 21 SEER rating. With a 60k Btu/h capacity and capable of heating and cooling 2 to 5 zones. The CHOIR requires 208-230 volt, 1 phase, 60Hz power. Refrigerant is pumped as a thermal medium to disperse heat into ambient air in the summer; while absorbing heat from ambient air in the winter. The compact design allows for ground installation, or mounting in a variety of discreet locations, including on a wall, under a deck or a balcony.

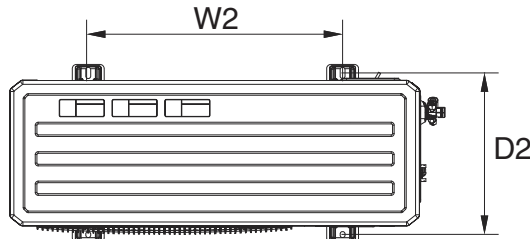
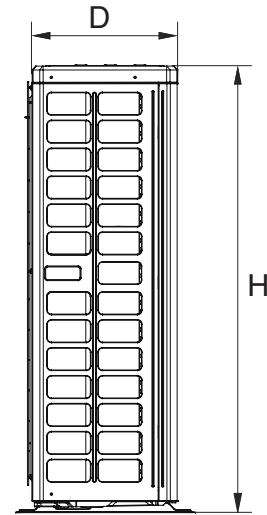
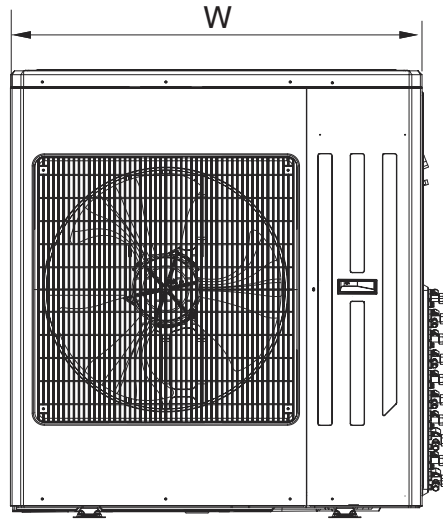
Outdoor Unit Models		WMMS-60CH-V2B(59) 4
Maximum drive IDU NO.		5
Power Supply		208-230 / 1 / 60
Cooling Capacity* (Btu/h)	Max. IDU Cap. Total 2	60,000 (2 Thermal Zones)
	Rated 1	39,000
	Min	8,870
Total Power Input in Cooling Mode* (W)	Max.	5100
	Rated	3950
	Min.	1200
SEER		21.00
HSPF		10.20
Heating Capacity* (Btu/h)	Max. IDU Cap Total 2	64,000
	Rated 1	45,000
	Min.	8,870
Total Power Input in Heating Mode*	Max.	4800
	Rated	4400
	Min.	1200
Compressor Oil		FV50S
L.R.A.	A	55
Compressor RLA	A	17.8
Compressor Power Input	W	4150
MCA	A	40
Fuse or Circuit Breaker (HVAC Type)	A	40-All IDUs EW / 50-All IDUs EC or EU
Throttling Method		Electronic Expansion Valve
Starting Method		Transducer starting
Recommended Working Ambient Temp Ranges	°F	AC: 0 ~ 118 HP: -4 ~ 75
Condenser		Aluminum fin-copper tube
Output of Fan Motor	W	170
Fan Motor RLA	A	1.1
Fan Motor Capacitor	uF	6
Fan Type-Piece		Axial-flow 1
Fan Diameter	In.	22.44
Defrosting Method		Auto Defrost
Isolation		I
Moisture Protection		IP24
Max. Operating Pressure at High Side	PSI	550
Max. Operating Pressure at Low Side	PSI	175
Sound Pressure Level dB (H/L)	A	61
Sound Power Level dB (H/L)	A	71

Outdoor Unit Models	WMMS-60CH-V2B(59) 4	
<b>Connection Pipes</b>		
R410A Refrigerant /Factory Pre-Charge for 25'	LBs	8.05
Liquid Valve Size	In	5 x 1/4"
Gas Valve Size	In	5 x 3/8"
<b>Dimensions &amp; Weight Outdoor Unit</b>		
Outdoor Unit Dimensions (W x H x D)	In.	42.75 x 43.38 x 17.31
Package Dimensions (W x H x D)	In.	45.63 x 48.63 x 19.38
Net /Gross Weight	LBs	198.4 / 216

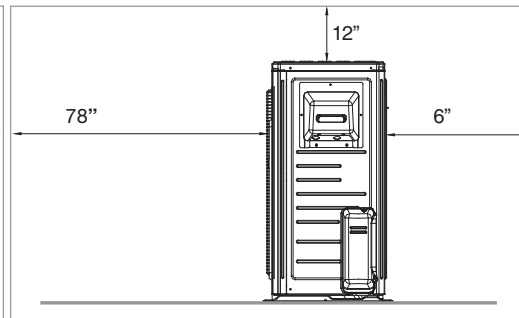
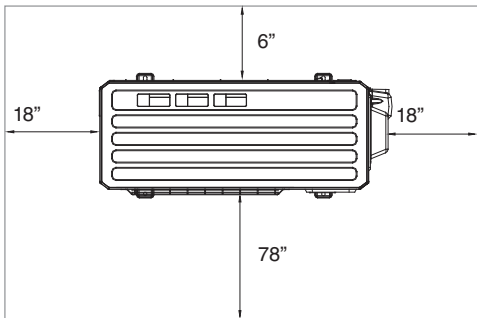


### OUTDOOR UNIT

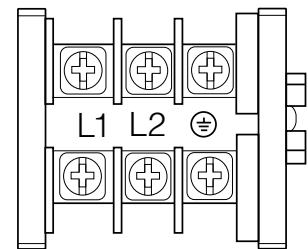
Dimensions (inches)	
W	42.75"
H	43.38"
D	17.31"
W2	24.8"
D2	14.8"



### CLEARANCES



### TERMINAL BLOCK



### FEATURES

- 208-230/1/60 power input
- Quiet and efficient heating & cooling.
- DC Inverter technology
- Wide working ambient temperature ranges
- Compact outdoor unit with side discharge
- Outdoor unit ships pre-charged.
- High quality compressors
- Durable powder coated cabinet
- Standard flare brass connection valves
- Built to ETL/UL/CSA/AHRI standards
- Easy installation and maintenance

**YMGI Group**  
 601 Arrow Ln, O'Fallon, Missouri 63366  
 Phone: 1-866-833-3138  
 Fax: 1-866-377-3355  
 ymgigroup.com  
 sales@ymgigroup.com

Sales Representative or Distributor:



### Cooling Performance

Outdoor Ambient Temperature (DB)	Indoor Entering Air Temperature (DB) 50% RH					
	62°F		67°F		72°F	
	TC	SHC	TC	SHC	TC	SHC
25°F	49212	36540	53192	38511	56860	40939
35°F	48092	36497	51216	37388	53704	38828
45°F	45716	35110	48888	36275	52380	37976
55°F	44012	34065	46932	35199	50312	36728
65°F	42512	33032	46776	35503	49600	36258
75°F	40840	31937	44000	33836	47324	34925
85°F	39200	31125	42000	32424	45600	34063
95°F	37200	29723	40000	31960	43760	32864
105°F	35200	28582	37912	30254	41200	31642
115°F	33200	27357	35200	28512	37600	29441

### Heating Performance

Outdoor Ambient Temperature (DB) (80% RH)	Indoor Entering Air Temperature (DB)					
	65°F		70°F		75°F	
	TC	SHC	TC	SHC	TC	SHC
5°F	34729	34729	32776	32776	31973	31973
15°F	37122	37122	33867	33867	33664	33664
25°F	39388	39388	37384	37384	35257	35257
35°F	41586	41586	38491	38491	36876	36876
45°F	43759	43759	42275	42275	39713	39713
55°F	43818	43818	42275	42275	40690	40690
65°F	43611	43611	42973	42973	41649	41649

TH: Total Capacity (BtuH)  
 SHC: Sensible Capacity (BtuH)

### Cooling Capacity (Btu/H)

Indoor Units Combinations	Indoor Unit A (BtuH)	Indoor Unit B (BtuH)	Indoor Unit C (BtuH)	Indoor Unit D (BtuH)	Indoor Unit E (BtuH)
9k+9k+9k	8189	8189	8189		
9k+9k +12k	6995	7336	10236		
9k+9k +18k	8018	8018	16378		
9k+12k +12k	8530	10577	10577		
9k+12k +18k	8530	10918	16036		
9k+18k +18k	7165	15013	15013		
12k+12k+12k	11771	11771	11942		
12k+12k+18k	10918	10918	13648		
12k+18k+18k	9554	15013	15013		
18k+18k+18k	13136	13136	13307		
9k+9k+9k+9k	8871	8871	8871	8871	
9k+9k+9k+12k	8189	8189	8189	10918	
9k+9k+9k+18k	7848	7848	7848	16036	
9k+9k+12k+12k	7165	7165	10577	10577	
9k+9k+12k+18k	6824	6824	10577	15354	
9k+9k+18k+18k	6483	6483	13307	13307	
9k+9k+12k+12k	7848	10577	10577	10577	
9k+12k+12k+18k	7165	8701	8701	15013	
12k+12k+12k+12k	9895	9895	9895	9895	
12k+12k+12k+18k	8359	8359	8359	14501	
12k+12k+18k+18k	7848	7848	11942	11942	
9k+9k+9k+9k+9k	7916	7916	7916	7916	7916
9k+9k+9k+9k+12k	7421	7421	7421	7421	9895
9k+9k+9k+9k+18k	6824	6824	6824	6824	12283
9k+9k+9k+12k+12k	7165	7165	7165	9042	9042
9k+9k+9k+12k+18k	6483	6483	6483	8274	11857
9k+9k+9k+18k+18k	6483	6483	6483	10065	10065
9k+9k+12k+12k+12k	6483	6483	8871	8871	8871
9k+9k+12k+12k+18k	5971	5971	8018	8018	11601
9k+12k+12k+12k+12k	6483	8274	8274	8274	8274
12k+12k+12k+12k+12k	7916	7916	7916	7916	7916

Capacity data is based on the following conditions:

Cooling Nominal Test Conditions

Indoor: 80°F DB/67°F WB

Outdoor: 95°F DB/75°F WB



# Submission Data Sheet: WMMS-60CH-V2B(59)4

## Heating Capacity (Btu/H)

Indoor Units Combinations	Rated System Capacity (BtuH)	Capacity Rating (Min.~Max.) BtuH	Indoor Unit A (BtuH)	Indoor Unit B (BtuH)	Indoor Unit C (BtuH)	Indoor Unit D (BtuH)	Indoor Unit E (BtuH)
9k+9k	25591	15354~33780	10662	14928			
9k+12k	25591	15354~33780	10662	14928			
9k+18K	30282	15354~33780	9383	20899			
9K+24K(2)	34121	15354~33533	8530	25591			
12K+12K	25591	15354~30026	12795	12795			
12K+18K	34121	15354~37533	13222	20899			
12K+24K(2)	40519	15354~42651	12795	27723			
18K+18K	40519	15354~42651	20261	20261			
18K+24K(2)	40519	15354~42651	17487	23458			
24K+24K(2)	40519	15354~42651	20261	20261			
9K+9K+9K	30709	15354~40945	10236	10236	10236		
9K+9K+12K	30709	15354~40945	8745	9171	12795		
9K+9K+18K	40519	15354~42651	10024	10024	20472		
9k+9k+24k(2)	44357	15354~45040	10236	10236	23884		
9k+12k+12k	37107	15354~40945	10662	13222	13222		
9k+12k+18k	44357	15354~45040	10662	13648	20046		
9k+12k+24k(2)	45040	15354~47769	8929	10871	25239		
9k+18k+18k	45040	15354~47769	8155	17084	17084		
9k+18k+24k(2)	45040	15354~47769	7766	15532	21742		
9k+24k+24k(2)	45040	15354~47769	6599	19220	19220		
12k+12k+12k	44357	15354~45040	14716	14716	14928		
12k+12k+18k	44357	15354~45040	13648	13648	17060		
12K+12K+24K(2)	45040	15354~47769	11454	11454	22131		
12k+18k+18K	45040	15354~47769	10871	17084	17084		
12K+18K+24K(2)	45040	15354~47769	10291	16112	18637		
12K+24K+24K(2)	45040	15354~47769	9707	17668	17668		
18K+18K+18K	45040	15354~47769	14948	14948	15143		
18K+18K+24K(2)	45040	15354~47769	13979	13979	17084		
9K+9K+9K+9K	44357	15354~47769	11089	11089	11089	11089	
9K+9K+9K+12K	44357	15354~47769	10236	10236	10236	13648	
9K+9K+9K+18K	45040	15354~47769	8929	8929	8929	18248	
9K+9K+9K+24K(2)	45040	15354~47769	7766	7766	7766	21742	
9K+9K+9K+12K+12K	44357	15354~47769	8956	8956	13222	13222	
9K+9K+12K+18K	45040	15354~47769	7766	7766	12038	17473	
9K+9K+12K+24K(2)	45040	15354~47769	7182	7182	10871	19995	
9K+9K+18K+18K	45040	15354~47769	7377	7377	15143	15143	
9K+9K+18K+24K(2)	45040	15354~47769	6988	6988	11843	19220	
9K+12K+12K+12K	45040	15354~47769	8929	12038	12038	12038	
9K+12K+12K+18K	45040	15354~47769	8155	9902	9902	17084	
9K+12K+12K+24K(2)	45040	15354~47769	7377	9028	9028	19609	
9K+12K+18K+18K	45040	15354~47769	7377	9318	14170	14170	
9K+18K+18K+18K	45040	15354~47769	6599	12812	12812	12812	
12K+12K+12K+12K	45040	15354~47769	11260	11260	11260	11260	
12K+12K+12K+18K	45040	15354~47769	9513	9513	9513	16501	
12K+12K+12K+24K(2)	45040	15354~47769	8540	8540	8540	19415	
12K+12K+18K+18K	45040	15354~47769	8929	8929	13590	13590	
9K+9K+9K+9K+9K	45040	15354~47769	9008	9008	9008	9008	9008
9K+9K+9K+9K+12K	45040	15354~47769	8445	8445	8445	8445	11260
9K+9K+9K+9K+18K	45040	15354~47769	7766	7766	7766	7766	13979
9K+9K+9K+9K+24K(2)	45040	15354~47769	7377	7377	7377	7377	15532
9K+9K+9K+12K+12K	45040	15354~47769	8155	8155	8155	10291	10291
9K+9K+9K+12K+18K	45040	15354~47769	7377	7377	7377	9414	13491
9K+9K+9K+18K+18K	45040	15354~47769	7377	7377	7377	11454	11454
9K+9K+12K+12K+12K	45040	15354~47769	7377	7377	10096	10096	10096
9K+9K+12K+12K+18K	45040	15354~47769	6793	6793	9124	9124	13201
9K+12K+12K+12K+12K	45040	15354~47769	7377	9414	9414	9414	9414
9K+12K+12K+12K+18K	45040	15354~47769	6988	8639	8639	8639	12133
12K+12K+12K+12K+12K	45040	15354~47769	9008	9008	9008	9008	9008

**Capacity data is based on the following conditions:**

Heating Nominal Test Conditions

Indoor: 70°F DB/60°F WB

Outdoor: 47°F DB/43°F WB