



Submittal Data Sheet: WMMS-09K-V2B(78)1

INDOOR UNIT



WMMS-09E-V2B(78)1
OUTDOOR UNIT



WMMS-09C-V2B(78)1

ACCESSORIES

- ADVANCED HEALTHY KIT
HEPA/Enzyme/Cold Catalyst Filter
Anion Generator
- THERMOSTAT
- MOUNTING BRACKETS
- FOOT RISERS
- COPPER/WIRE/ACC.SET
- LINESET COVERS
- WINTER WIND BAFFLE
- BRIDGE CONTROLLER

System	WMMS-09K-V2B(78)1	
ODU Model No.	WMMS-09C-V2B(78)1	
IDU Model No.	WMMS-09E-V2B(78)1	
Liquid Pipe Diameter	in.	1/4
Gas Pipe Diameter	in.	3/8
Indoor Unit Dimensions W x H x D	in.	32.88 x 11 x 8.69
Outdoor Unit Dimensions W x H x D	in.	28.13 x 19 x 9.44
Indoor Unit Weight Net/Gross	lbs	18.75/ 24.25
Outdoor Unit Weight Net/Gross	lbs	59.52 / 66.14
Indoor Unit Packing Dimensions W x H x D (With pipe)	in.	34.25 x 13.19 x 10.44
Outdoor Unit Packing Dimensions WxHxD (With pipe)	in.	32.69 x 20.88 x 13.38

Job Name:		Tag #:	
Location		Date:	
General Contractor:		Mechanical Contractor:	
Sales Representative:		Sales Engineer:	
Submitted by:		Drawing #:	
Reference		PO #:	

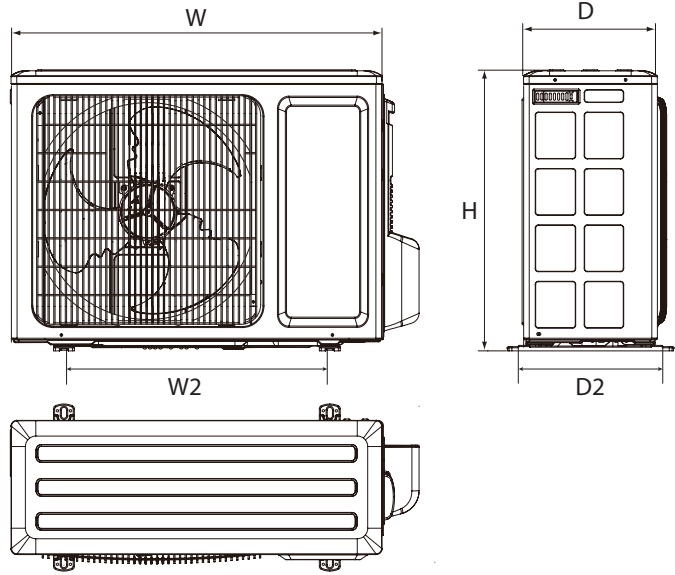
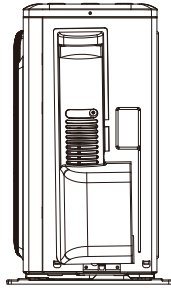
YMGI's ductless Wall Mount Mini Split (WMMS) is designed for high performance, easy installation and servicing. The single-zone WMMS system consists of 1 wall-mounted indoor unit and 1 outdoor unit. The outdoor unit is designed for horizontal venting, making condenser installation in tight areas simple. Ideal for multi-family and high-rise buildings in residential, commercial, institutional, and industrial applications. Includes remote control.

System Model No.		WMMS-09K-V2B(78)1	
ODU Model No.		WMMS-09C-V2B(78)1	
IDU Model No.		WMMS-09E-V2B(78)1	
Voltage, Frequency, Phase		V/Hz/Ph	208-230 / 60 / 1
Cooling Capacity Rating		Btu/h	9000
Cooling Capacity Ranges		Btu/h	3600-10000
Heating Capacity Rating		Btu/h	9500
Heating Capacity Ranges		Btu/h	3600-10500
Rated Input-Cooling		W	670
Rated Input-Heating		W	730
SEER		Btu/h / W	21.5
HSPF		Heating	10.5
EER for Cooling		W/W	13.43
COP for Heating		Btu/h / W	13.01
Moisture Removal		pts/hr.	1.9
Air Circulation		CFM	341.37
R410A Refrigerant charge volume		Oz	33.5
Indoor Sound Pressure (H/M/L/silence)		dB (A)	40 / 36 / 33 / 26
Outdoor Sound pressure		dB (A)	53
Airflow Indoor Unit (S/H/M/L)		CFM	412 / 380 / 351 / 276
Airflow Outdoor Unit (H)		CFM	941.72
Cooling Rated Current		Amp.	3.1
Heating Rated Current		Amp.	3.3
Cooling Current Ranges		Amp.	1.0 - 6.5
Heating Current Ranges		Amp.	1.0 - 6.5
Minimum Current Ampacity (MCA)		Amp.	10
MAX. Operating Pressure for the Discharge Side at Cooling		PSIG	551
MAX. Operating Pressure for the Suction Side at Cooling		PSIG	174
Maximum Fuse Size (MFS)		Amp.	15
Compressor type			Rotary
Compressor MFG			Hitachi
Expansion Device			capillary
Compressor model #			ASD088RKQA6JT6
Indoor DC motor			No
Indoor motor MFG			Welling
Indoor motor model #			DG13G1-21
Indoor motor power output		W	14
Indoor motor speed S/H/M/L		RPM	1250 / 1100 / 9500
Outdoor DC motor			Yes
Outdoor motor MFG			Welling
Outdoor motor model #			ZWA138D08A
Outdoor motor power input		W	30
Outdoor motor speed H/M/L		RPM	880 / 650 / 450
Evaporator material			Copper tube & Aluminum Fin
Number of rows			2
Tube outside dia.and type		in.	Ø 9/32, innergroove tube
Evaporator L x H x W		in.	24 7/16 x 11 9/16 x 1 1/8
Condenser material			Copper tube & Aluminum Fin
Number of rows			2
Tube outside dia.and type		in.	Ø 9/32
ODU Cooling Working Temperature Range		°F	5° ~ 115°
ODU Heating Working Temperature Range		°F	-4° ~ 75°
Performance Testing Standard			ARI 210-240
Certifications			ETL / AHRI



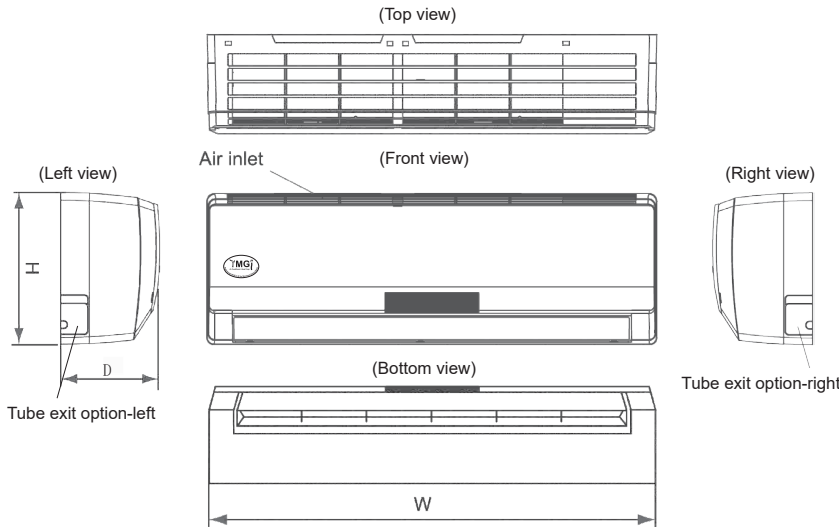
OUTDOOR UNIT

Dimensions (inches)	
W	28.13"
H	19"
D	9.44"
W2	17.5"
D2	10.625"

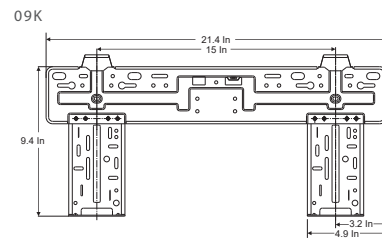


INDOOR UNIT

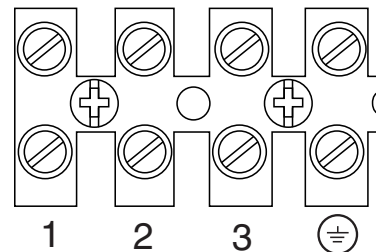
Dimensions (inches)	
W	32.88"
H	11"
D	8.69"



MOUNTING PLATE



TERMINAL BLOCK



FEATURES

- 208-230/1/60 power input
- Quiet and efficient heating & cooling.
- LED display shows set temperature & operating modes.
- Motorized louver system quietly distributes air evenly
- Remote Control.
- DC Inverter technology
- Wide working ambient temperature ranges
- Stylish design
- Compact outdoor unit with side discharge
- Outdoor unit ships pre-charged.
- World-class quality compressors
- Durable powder coated cabinet
- Default flare brass connection valves
- Knock-outs for refrigerant pipes and wires
- Built to ETL/UL/CSA/ARI standards
- Easy installation and maintenance

YMG I Group

601 Arrow Ln, O'Fallon, Missouri 63366
 Phone: 1-866-833-3138
 Fax: 1-866-377-3355
 ymgigroup.com

Sales Representative or Distributor: