



Submittal Data Sheet: WMMS-12K-V2B(78)1

INDOOR UNIT



WMMS-12E-V2B(78)1
OUTDOOR UNIT



WMMS-12C-V2B(78)1

ACCESSORIES

- ADVANCED HEALTHY KIT
HEPA/Enzyme/Cold Catalyst Filter
Anion Generator
- THERMOSTAT
- MOUNTING BRACKETS
- FOOT RISERS
- COPPER/WIRE/ACC.SET
- LINESET COVERS
- WINTER WIND BAFFLE
- BRIDGE CONTROLLER

System		WMMS-12K-V2B(78)1
ODU Model No.		WMMS-12C-V2B(78)1
IDU Model No.		WMMS-12E-V2B(78)1
Liquid Pipe Diameter	in.	1/4
Gas Pipe Diameter	in.	3/8
Indoor Unit Dimensions W x H x D	in.	32.88 x 11 x 8.69
Outdoor Unit Dimensions W x H x D	in.	31.88 x 23 x 11
Indoor Unit Weight Net/Gross	lbs	19.84 / 24.25
Outdoor Unit Weight Net/Gross	lbs	72.75 / 79.37
Indoor Unit Packing Dimensions W x H x D (With pipe)	in.	34.25 x 13.19 x 10.44
Outdoor Unit Packing Dimensions WxHxD (With pipe)	in.	37 x 25.19 x 15.19

Job Name:		Tag #:	
Location		Date:	
General Contractor:		Mechanical Contractor:	
Sales Representative:		Sales Engineer:	
Submitted by:		Drawing #:	
Reference		PO #:	

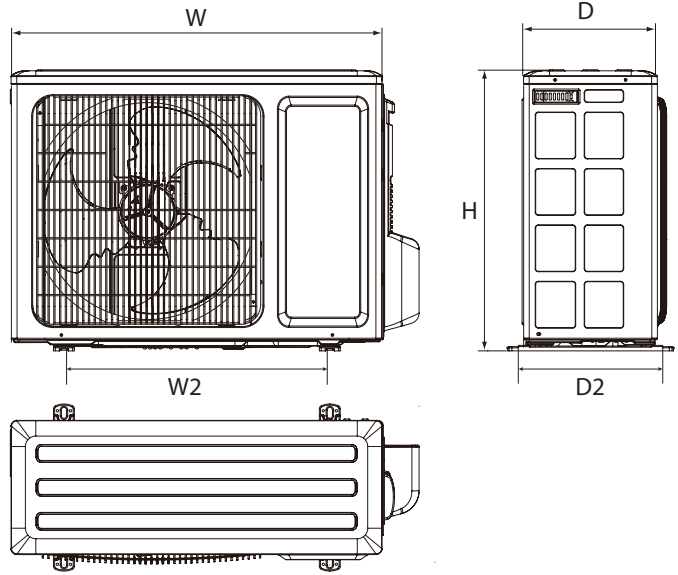
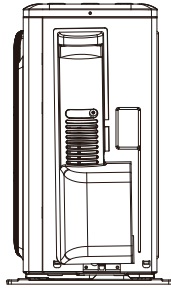
YMGI's ductless Wall Mount Mini Split (WMMS) is designed for high performance, easy installation and servicing. The single-zone WMMS system consists of 1 wall-mounted indoor unit and 1 outdoor unit. The outdoor unit is designed for horizontal venting, making condenser installation in tight areas simple. Ideal for multi-family and high-rise buildings in residential, commercial, institutional, and industrial applications. Includes remote control.

System Model No.		WMMS-12K-V2B(78)1
ODU Model No.		WMMS-12C-V2B(78)1
IDU Model No.		WMMS-12E-V2B(78)1
Performance	Voltage, Frequency, Phase	V/Hz/Ph 208-230 / 60 / 1
	Cooling Capacity Rating	Btu/h 12000
	Cooling Capacity Ranges	Btu/h 4000-13500
	Heating Capacity Rating	Btu/h 13000
	Heating Capacity Ranges	Btu/h 4000-14000
	Rated Input-Cooling	W 920
	Rated Input-Heating	W 1130
	SEER	Btu/h / W 20.5
	HSPF	Heating 10.8
	EER for Cooling	W/W 13.04
	COP for Heating	Btu/h / W 11.50
	Moisture Removal	pts/hr. 2.53
	Air Circulation	CFM 364.91
	R410A Refrigerant charge volume	Oz 40.9
	Indoor Sound Pressure (H/M/L/silence)	dB (A) 40 / 36 / 33 / 26
	Outdoor Sound pressure	dB (A) 53
	Airflow Indoor Unit (SH/M/L)	CFM 412 / 380 / 351 / 276
	Airflow Outdoor Unit (H)	CFM 1177.15
	Cooling Rated Current	Amp. 4.1
	Heating Rated Current	Amp. 5.0
	Cooling Current Ranges	Amp. 1.2 - 7.0
	Heating Current Ranges	Amp. 1.2 - 7.0
	Minimum Current Ampacity (MCA)	Amp. 10
MAX. Operating Pressure for the Discharge Side at Cooling	PSIG 551	
MAX. Operating Pressure for the Suction Side at Cooling	PSIG 174	
Maximum Fuse Size (MFS)	Amp. 15	
Electrical System	Compressor type	Rotary
	Compressor MFG	GMCC
	Expansion Device	capillary
	Compressor model #	ASN108D32UFZ
	Indoor DC motor	No
	Indoor motor MFG	Weiling
	Indoor motor model #	DG13G1-21
	Indoor motor power output	W 14
	Indoor motor speed S/H/M/L	RPM 1250 / 1100 / 9500
	Outdoor DC motor	Yes
	Outdoor motor MFG	WOLONG
	Outdoor motor model #	ZWA138D08A
	Outdoor motor power input	W 30
Outdoor motor speed H/M/L	RPM 800 / 650 / 450	
Evaporator	Evaporator material	Copper tube & Aluminum Fin
	Number of rows	2
	Tube outside dia.and type	in. Ø 9/32, innergroove tube
Condenser	Evaporator L x H x W	in. 24 7/16 x 11 9/16 x 1 1/8
	Condenser material	Copper tube & Aluminum Fin
	Number of rows	2
	Tube outside dia.and type	in. Ø 9/32
ODU Cooling Working Temperature Range		°F 5° ~ 115°
ODU Heating Working Temperature Range		°F -4° ~ 75°
Performance Testing Standard		ARI 210-240
Certifications		ETL / AHRI



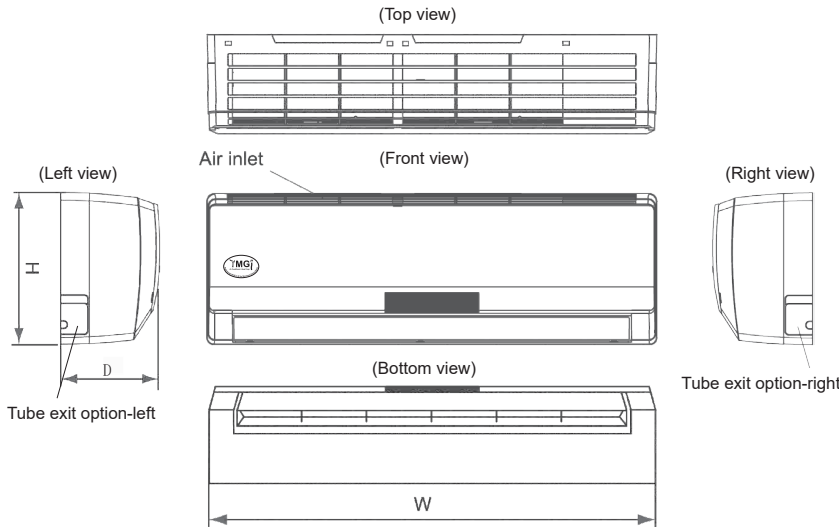
OUTDOOR UNIT

Dimensions (inches)	
W	31.88"
H	23"
D	11"
W2	20.5"
D2	12.25"

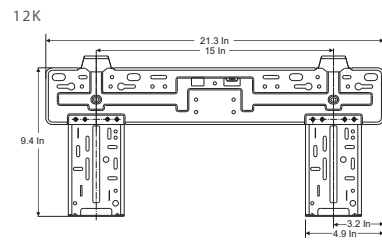


INDOOR UNIT

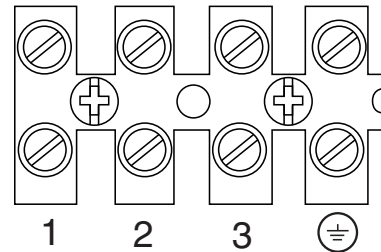
Dimensions (inches)	
W	32.88"
H	11"
D	8.69"



MOUNTING PLATE



TERMINAL BLOCK



FEATURES

- 208-230/1/60 power input
- Quiet and efficient heating & cooling.
- LED display shows set temperature & operating modes.
- Motorized louver system quietly distributes air evenly
- Remote Control.
- DC Inverter technology
- Wide working ambient temperature ranges
- Stylish design
- Compact outdoor unit with side discharge
- Outdoor unit ships pre-charged.
- World-class quality compressors
- Durable powder coated cabinet
- Default flare brass connection valves
- Knock-outs for refrigerant pipes and wires
- Built to ETL/UL/CSA/ARI standards
- Easy installation and maintenance

YMG Group
 601 Arrow Ln, O'Fallon, Missouri 63366
 Phone: 1-866-833-3138
 Fax: 1-866-377-3355
 ymgigroup.com

Sales Representative or Distributor: