



Submittal Data Sheet: WMMS-30K-V2B(78)1

INDOOR UNIT



WMMS-30E-V2B(78)1
OUTDOOR UNIT



WMMS-30C-V2B(78)1

ACCESSORIES

- ADVANCED HEALTHY KIT
HEPA/Enzyme/Cold Catalyst Filter
Anion Generator
- THERMOSTAT
- MOUNTING BRACKETS
- FOOT RISERS
- COPPER/WIRE/ACC.SET
- LINESET COVERS
- WINTER WIND BAFFLE
- BRIDGE CONTROLLER

Job Name:		Tag #:	
Location		Date:	
General Contractor:		Mechanical Contractor:	
Sales Representative:		Sales Engineer:	
Submitted by:		Drawing #:	
Reference		PO #:	

YMGI's ductless Wall Mount Mini Split (WMMS) is designed for high performance, easy installation and servicing. The single-zone WMMS system consists of 1 wall-mounted indoor unit and 1 outdoor unit. The outdoor unit is designed for horizontal venting, making condenser installation in tight areas simple. Ideal for multi-family and high-rise buildings in residential, commercial, institutional, and industrial applications. Includes remote control.

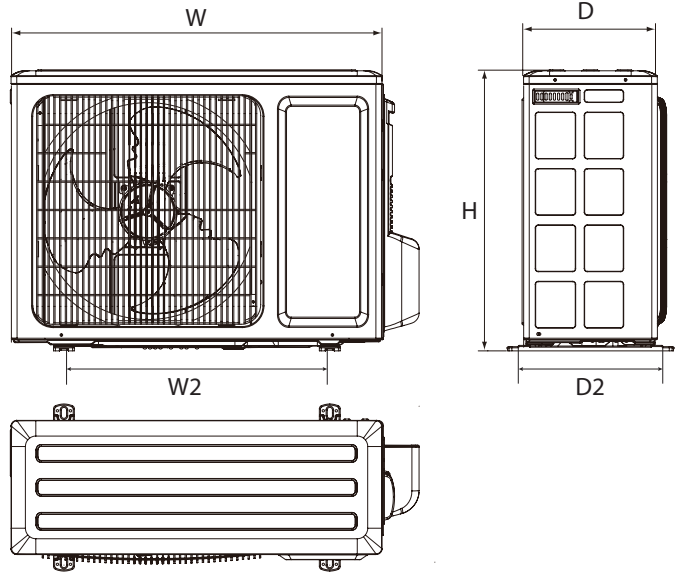
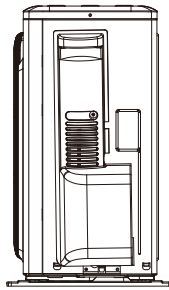
System Model No.		WMMS-30K-V2B(78)1	
ODU Model No.		WMMS-30C-V2B(78)1	
IDU Model No.		WMMS-30E-V2B(78)1	
Performance	Voltage, Frequency, Phase	V/Hz/Ph	208-230 / 60 / 1
	Cooling Capacity Rating	Btu/h	30000
	Cooling Capacity Ranges	Btu/h	11500-33500
	Heating Capacity Rating	Btu/h	31000
	Heating Capacity Ranges	Btu/h	11500-33500
	Rated Input-Cooling	W	2900
	Rated Input-Heating	W	2700
	SEER	Btu/h / W	18.8
	HSPF	Heating	12.3
	EER for Cooling	W/W	10
	COP for Heating	Btu/h / W	8.5
	Moisture Removal	pts/hr.	6.3
	Air Circulation	CFM	1059.44
	R410A Refrigerant charge volume	Oz	73
	Indoor Sound Pressure (H/M/L/silence)	dB (A)	50 / 45 / 40 / 38
	Outdoor Sound pressure	dB (A)	60
	Airflow Indoor Unit (SH/M/L)	CFM	1107 / 845 / 706 / 589
	Airflow Outdoor Unit (H)	CFM	2354.31
	Cooling Rated Current	Amp.	12.8
	Heating Rated Current	Amp.	12
Cooling Current Ranges	Amp.	2.3 - 15	
Heating Current Ranges	Amp.	2.3 - 15	
Minimum Current Ampacity (MCA)	Amp.	25	
MAX. Operating Pressure for the Discharge Side at Cooling	PSIG	560	
MAX. Operating Pressure for the Suction Side at Cooling	PSIG	170	
Maximum Fuse Size (MFS)	Amp.	40	
Electrical System	Compressor type		Rotary
	Compressor MFG		Hitachi
	Expansion Device		ATL253UDPC9AUL
	Compressor model #		Capillary
	Indoor DC motor		Yes
	Indoor motor MFG		Broad-ocean
	Indoor motor model #		DG13G3D-01
	Indoor motor power output	W	50
	Indoor motor speed S/H/M/L	RPM	1150 / 1000 / 850
	Outdoor DC motor		Yes
	Outdoor motor MFG		Weiling
	Outdoor motor model #		K1B310499
Outdoor motor power input	W	70	
Outdoor motor speed H/M/L	RPM	850 / 550 / 500	
Evaporator	Evaporator material		Copper tube & Aluminum Fin
	Number of rows		2
	Tube outside dia. and type	in.	Ø 9/32, innergroove tube
Condenser	Evaporator L x H x W	in.	38 25/32 x 16 17/32 x 1 3/32
	Condenser material		Copper tube & Aluminum Fin
	Number of rows		2
	Tube outside dia. and type	in.	Ø 9/32
ODU Cooling Working Temperature Range		°F	5° ~ 115°
ODU Heating Working Temperature Range		°F	-4° ~ 75°
Performance Testing Standard			ARI 210-240
Certifications			ETL / AHRI

System		WMMS-30K-V2B(78)1	
ODU Model No.		WMMS-30C-V2B(78)1	
IDU Model No.		WMMS-30E-V2B(78)1	
Liquid Pipe Diameter	in.	3/8	
Gas Pipe Diameter	in.	5/8	
Indoor Unit Dimensions W x H x D	in.	50.38 x 14.19 x 10.25	
Outdoor Unit Dimensions W x H x D	in.	34.88 x 31.31 x 14.38	
Indoor Unit Weight Net/Gross	lbs	43 / 50.7	
Outdoor Unit Weight Net/Gross	lbs	127.86 / 138.89	
Indoor Unit Packing Dimensions W x H x D (With pipe)	in.	54.5 x 17.13 x 12.81	
Outdoor Unit Packing Dimensions WxHxD (With pipe)	in.	41.34 x 35.81 x 19.63	



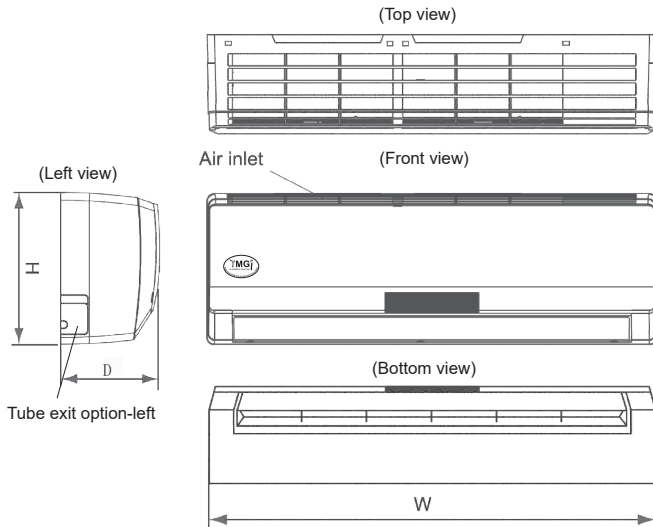
OUTDOOR UNIT

Dimensions (inches)	
W	34.88"
H	31.31"
D	14.38"
W2	26.125"
D2	15.4375"

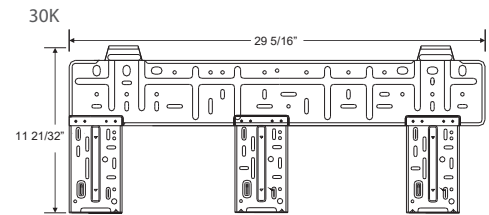


INDOOR UNIT

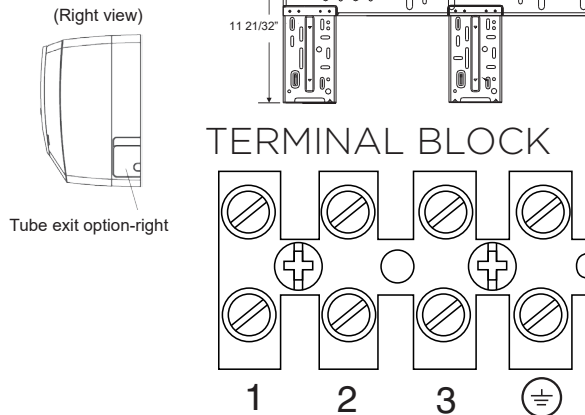
Dimensions (inches)	
W	50.38"
H	14.19 "
D	10.25"



MOUNTING PLATE



TERMINAL BLOCK



FEATURES

- 208-230/1/60 power input
- Quiet and efficient heating & cooling.
- LED display shows set temperature & operating modes.
- Motorized louver system quietly distributes air evenly
- Remote Control.
- DC Inverter technology
- Wide working ambient temperature ranges
- Stylish design

- Compact outdoor unit with side discharge
- Outdoor unit ships pre-charged.
- World-class quality compressors
- Durable powder coated cabinet
- Default flare brass connection valves
- Knock-outs for refrigerant pipes and wires
- Built to ETL/UL/CSA/ARI standards
- Easy installation and maintenance

YMGI Group

601 Arrow Ln, O'Fallon, Missouri 63366
 Phone: 1-866-833-3138
 Fax: 1-866-377-3355
 ymgigroup.com

Sales Representative or Distributor: