



Submittal Data Sheet: WMMS-42KU-U2B(58)4

INDOOR UNIT



WMMS-42E-U2B(58)4



OUTDOOR UNIT



WMMS-42C-U2B(58)4

ACCESSORIES

- ADVANCED HEALTHY KIT
HEPA/Enzyme/Cold Catalyst Filter
Anion Generator
- THERMOSTAT
- MOUNTING BRACKETS
- FOOT RISERS
- COPPER/WIRE/ACC.SET
- LINESET COVERS
- WINTER WIND BAFFLE
- BRIDGE CONTROLLER

Indoor Unit		WMMS-36EU-U2B(58)4	
Dimensions (W x D x H)	Outline	in.	55 7/8" x 27 1/2" x 9 5/8"
	Package	in.	61" x 32 5/8" x 13 5/8"
Weight Net/Gross	lbs		110.2 / 127.9
Panel			
Dimensions (W x D x H)	Outline	in.	-
	Package	in.	-
Weight Net/Gross	lbs		-
Outdoor Unit		WMMS42C-U2B(58)4	
Dimensions (W x D x H)	Outline	in.	37 3/4" x 16 1/8" x 53 1/8"
	Package	in.	41 1/8" x 17 7/8" x 59"
Weight Net/Gross	lbs		209.5 / 231.5
Connection Pipe			
Outer Diameter	Liquid	in.	3/8"
	Gas	in.	5/8"

Job Name:		Tag #:	
Location		Date:	
General Contractor:		Mechanical Contractor:	
Sales Representative:		Sales Engineer:	
Submitted by:		Drawing #:	
Reference		PO #:	

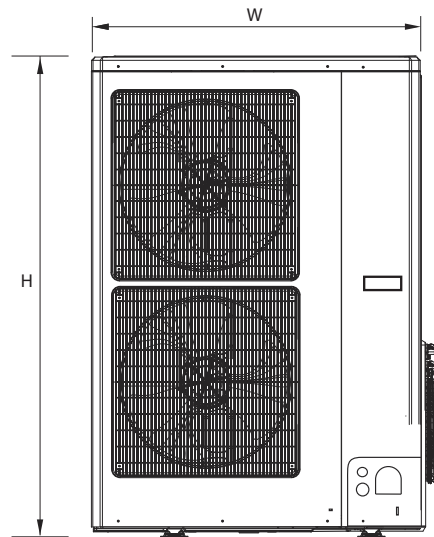
YMGI's ductless Mini Split is designed for high performance, easy installation and servicing. The single-zone WMMS system consists of 1 Floor/Ceiling Mount indoor unit and 1 outdoor unit. The outdoor unit is designed for horizontal venting, making condenser installation in tight areas simple. Ideal for multi-family and high-rise buildings in residential, commercial, institutional, and industrial applications. Includes U-Touch remote control.

Model	System		WMMS-42KU-U2B(58)4		
	Indoor Unit		WMMS-42EU-U2B(58)4		
Capacity	Cooling	W	11500		
		Btu/h	39500		
	Heating	W	13000		
		Btu/h	44000		
EER/COP		-	2.84 / 3.20		
Power Supply		V/Ph/Hz	208-230 / 1 / 60		
Power Input	Cooling	W	4050		
	Heating	W	4050		
Current Input	Cooling	A	20.72		
	Heating	A	20.72		
Refrigerant Charge Volume		kg/oz	3.7 / 130.5		
Indoor Unit	Air Flow Volume		CFM	1115	
			m3/h	1900	
	ESP	Rated	In.wg	0	
		Range	In.wg	0	
	Sound Pressure Level (L/M/H)	dB(A)	47 / 52 / 54		
Connection Pipe	Outer Diameter	Liquid	in.	3/8"	
		Gas	in.	5/8"	
	Max. Distance	Height	ft.	49 1/4	
		Length	ft.	164 1/16	
Model	Outdoor Unit		WMMS42C-U2B(58)4		
	Compressor Type		DC Inverter Driven Rotary		
	Compressor RLA	A	21.2		
	Fan Motor Power Output	HP	2 x 1/6		
	Fan Motor FLA	A	2 x 2.0		
	Max. Over Current Protection	A	45		
	Min. Current (MCA)	A	29.0		
	Outdoor Unit Air Flow Volume	CFM	2590		
	Condenser Fin / Tube Structure		Aluminum Fin-copper Tube		
	Maximum Allowable Pressure	PSIG	624		
Outdoor Unit	Throttling Method		Electron expansion valve		
	Defrosting Method		Automatic Defrosting		
	Sound Pressure / Power Level	dB (A)	63 / 63		
	Cooling Operation Ambient Temp. Range	°F	0 ~ 118		
	Heating Operation Ambient Temp. Range	°F	0 ~ 75		
	R410A Refrigerant Factory Charge	ozs	123.2		
	Factory Charge for Pipe Length	ft.	25		
	Gas Additional Charge	oz/ft.	0.6		

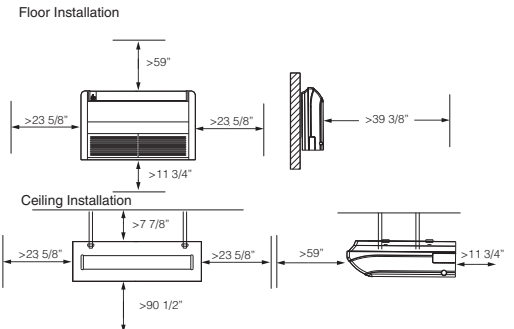


OUTDOOR UNIT

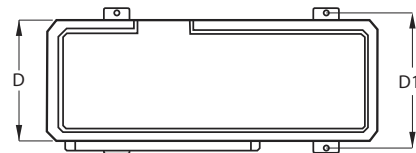
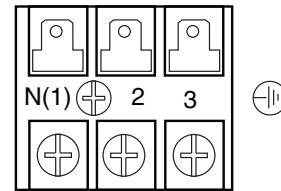
Dimensions (inches)	
W	37.75"
H	53.125"
D	14.75"



CLEARANCES

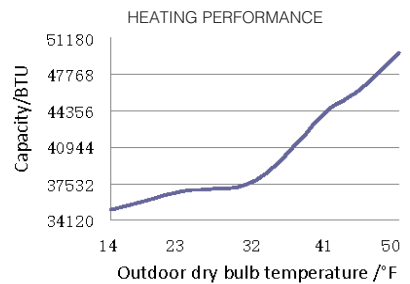
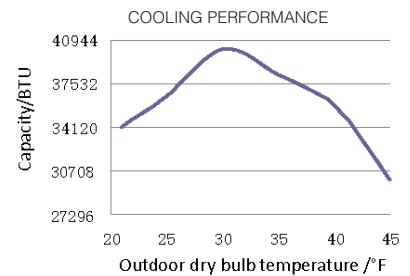
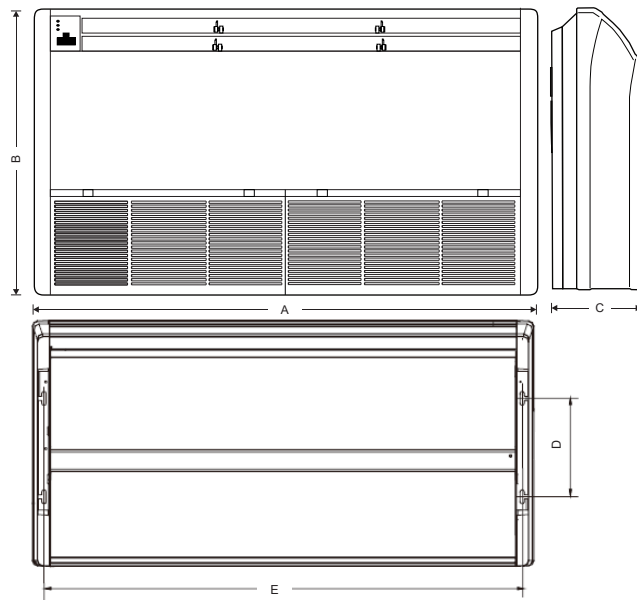


TERMINAL BLOCK



INDOOR UNIT

Dimensions (inches)	
A	55 7/8"
B	27 1/2"
C	9 5/8"
D	11"
E	53 1/4"



FEATURES

- 208-230/1/60 power input
- Quiet and efficient heating & cooling.
- LED display shows set temperature & operating modes.
- Motorized louver system quietly distributes air evenly
- "U-TOUCH" Remote Control.
- DC Inverter technology
- Wide working ambient temperature ranges
- Stylish design
- Compact outdoor unit with side discharge
- Outdoor unit ships pre-charged.
- World-class quality compressors
- Durable powder coated cabinet
- Default flare brass connection valves
- Knock-outs for refrigerant pipes and wires
- Built to ETL/UL/CSA/ARI standards
- Easy installation and maintenance

YMGI Group
 601 Arrow Ln, O'Fallon, Missouri 63366
 Phone: 1-866-833-3138
 Fax: 1-866-377-3355
 ymgigroup.com

Sales Representative or Distributor: