



Submittal Data Sheet: WMMS-48KU-U2B(58)4

INDOOR UNIT



WMMS-48E-U2B(58)4



WMMS-48C-U2B(58)4

ACCESSORIES

- ADVANCED HEALTHY KIT
HEPA/Enzyme/Cold Catalyst Filter
Anion Generator
- THERMOSTAT
- MOUNTING BRACKETS
- FOOT RISERS
- COPPER/WIRE/ACC.SET
- LINESET COVERS
- WINTER WIND BAFFLE
- BRIDGE CONTROLLER

Indoor Unit			WMMS-48EU-U2B(58)4
Dimensions (W x D x H)	Outline	in.	66 7/8" x 27 1/2" x 9 5/8"
	Package	in.	72" x 32 5/8" x 13 5/8"
Weight Net/Gross	lbs		130.1 / 149.9
Panel			
Dimensions (W x D x H)	Outline	in.	-
	Package	in.	-
Weight Net/Gross	lbs		-
Outdoor Unit			WMMS42C-U2B(58)4
Dimensions (W x D x H)	Outline	in.	37 3/4" x 16 1/8" x 53 1/8"
	Package	in.	41 1/8" x 17 7/8" x 59"
Weight Net/Gross	lbs		231.5 / 253.6
Connection Pipe			
Outer Diameter	Liquid	in.	3/8"
	Gas	in.	5/8"

Job Name:		Tag #:	
Location		Date:	
General Contractor:		Mechanical Contractor:	
Sales Representative:		Sales Engineer:	
Submitted by:		Drawing #:	
Reference		PO #:	

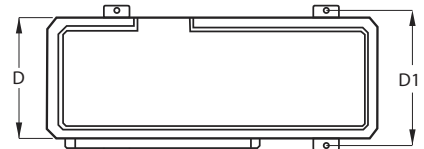
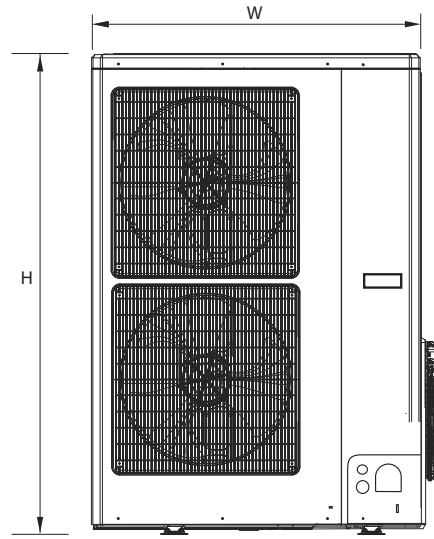
YMGI's ductless Mini Split is designed for high performance, easy installation and servicing. The single-zone WMMS system consists of 1 Floor/Ceiling Mount indoor unit and 1 outdoor unit. The outdoor unit is designed for horizontal venting, making condenser installation in tight areas simple. Ideal for multi-family and high-rise buildings in residential, commercial, institutional, and industrial applications. Includes U-Touch remote control.

Model	System		WMMS-48KC-U2B(58)4	
	Indoor Unit		WMMS-48EU-U2B(58)4	
Capacity	Cooling	W	14000	
		Btu/h	48000	
	Heating	W	16000	
		Btu/h	54500	
EER/COP		-	2.55 / 3.48	
Power Supply		V/Ph/Hz	208-230 / 1 / 60	
Power Input	Cooling	W	5500	
	Heating	W	4600	
Current Input	Cooling	A	25.32	
	Heating	A	23.53	
Refrigerant Charge Volume		kg/oz	4 / 141.1	
Indoor Unit	Air Flow Volume		CFM	1350
			m3/h	2300
	ESP	Rated	In.wg	0
		Range	In.wg	0
Sound Pressure Level (L/M/H)		dB(A)	46 / 50 / 55	
Connection Pipe	Outer Diameter	Liquid	in.	3/8"
		Gas	in.	5/8"
	Max. Distance	Height	ft.	49 1/4
		Length	ft.	164 1/16
Model	Outdoor Unit		WMMS42C-U2B(58)4	
Outdoor Unit	Compressor Type		DC Inverter Driven Rotary	
	Compressor RLA	A	35.5	
	Fan Motor Power Output	HP	2 x 1/6	
	Fan Motor FLA	A	2 x 2.0	
	Max. Over Current Protection	A	70	
	Min. Current (MCA)	A	45.0	
	Outdoor Unit Air Flow Volume	CFM	2590	
	Condenser Fin / Tube Structure		Aluminum Fin-copper Tube	
	Maximum Allowable Pressure	PSIG	624	
	Throttling Method		Electron expansion valve	
	Defrosting Method		Automatic Defrosting	
	Sound Pressure / Power Level	dB (A)	59 / 59	
	Cooling Operation Ambient Temp. Range	°F	0 ~ 118	
	Heating Operation Ambient Temp. Range	°F	0 ~ 75	
	R410A Refrigerant Factory Charge	ozs	123.2	
	Factory Charge for Pipe Length	ft.	25	
	Gas Additional Charge	oz/ft.	0.6	

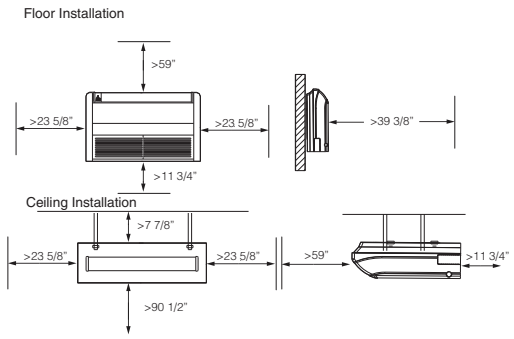


OUTDOOR UNIT

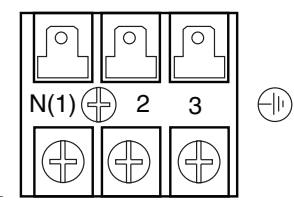
Dimensions (inches)	
W	37.75"
H	53.125"
D	14.75"



CLEARANCES

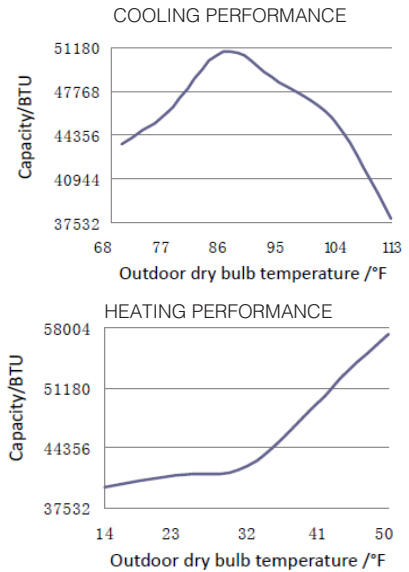
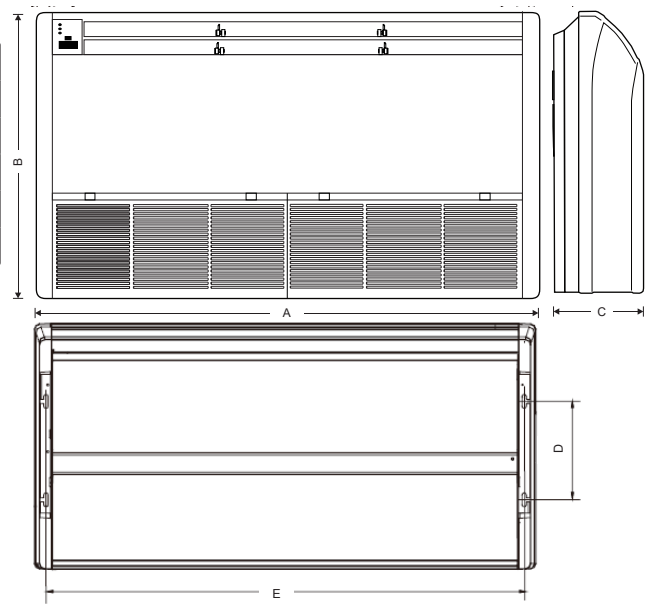


TERMINAL BLOCK



INDOOR UNIT

Dimensions (inches)	
A	66 7/8"
B	27 1/2"
C	9 5/8"
D	11"
E	64 3/8"



FEATURES

- 208-230/1/60 power input
- Quiet and efficient heating & cooling.
- LED display shows set temperature & operating modes.
- Motorized louver system quietly distributes air evenly
- "U-TOUCH" Remote Control.
- DC Inverter technology
- Wide working ambient temperature ranges
- Stylish design
- Compact outdoor unit with side discharge
- Outdoor unit ships pre-charged.
- World-class quality compressors
- Durable powder coated cabinet
- Default flare brass connection valves
- Knock-outs for refrigerant pipes and wires
- Built to ETL/UL/CSA/ARI standards
- Easy installation and maintenance

YMGI Group
 601 Arrow Ln, O'Fallon, Missouri 63366
 Phone: 1-866-833-3138
 Fax: 1-866-377-3355
 ymgigroup.com

Sales Representative or Distributor: