



Submittal Data Sheet: WMMS-24KC-V2B(58)4

INDOOR UNIT



WMMS-24EC-V2B(58)4

OUTDOOR UNIT



WMMS-24C-V2B(58)4

ACCESSORIES

- THERMOSTAT
- MOUNTING BRACKETS
- FOOT RISERS
- COPPER/WIRE/ACC.SET
- LINESET COVERS
- WINTER WIND BAFFLE
- BRIDGE CONTROLLER

Indoor Unit			WMMS-24EC-V2B(58)4
Dimensions (W x D x H)	Outline	in.	36 x 33 1/8" x 9 1/2"
	Package	in.	45 1/4" x 37 3/4" x 13 3/8"
Weight Net/Gross	lbs		59.535 / 83.79
Panel			
Dimensions (W x D x H)	Outline	in.	37 1/2" x 37 1/2" x 2 3/8"
	Package	in.	40 5/8" x 40 7/8" x 5 1/4"
Weight Net/Gross	lbs		15.4 / 24.3
Outdoor Unit			WMMS-24C-V2B(58)4
Dimensions (W x D x H)	Outline	in.	38 5/8" x 16 3/4" x 31 1/8"
	Package	in.	42 5/8" x 19 1/4" x 33 5/8"
Weight Net/Gross	lbs		152.1 / 163.2
Connection Pipe			
Outer Diameter	Liquid	in.	3/8"
	Gas	in.	5/8"

Job Name:		Tag #:	
Location		Date:	
General Contractor:		Mechanical Contractor:	
Sales Representative:		Sales Engineer:	
Submitted by:		Drawing #:	
Reference		PO #:	

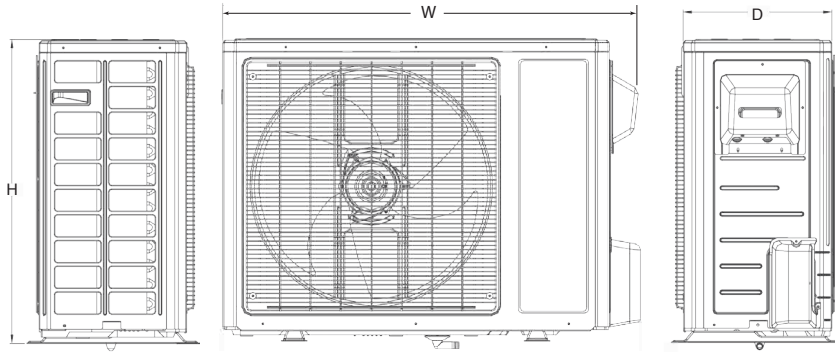
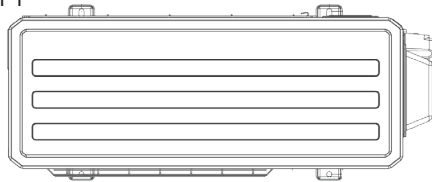
YMGI's ductless Ceiling Cassette Mini Split (WMMS) is designed for high performance, easy installation and servicing. The single-zone WMMS system consists of 1 ceiling cassette indoor unit and 1 outdoor unit. The outdoor unit is designed for horizontal venting, making condenser installation in tight areas simple. Ideal for multi-family and high-rise buildings in residential, commercial, institutional, and industrial applications. Includes U-Touch remote control.

Model	System		WMMS-24KC-V2B(58)4		
	Indoor Unit		WMMS-24EC-V2B(58)4		
Capacity	Cooling	W	7000		
		Btu/h	23800		
	Heating	W	8000		
		Btu/h	27200		
EER/COP			- / 3.14 / 3.38		
Power Supply			V/Ph/Hz	208-230 / 1 / 60	
Power Input	Cooling	W	2230		
	Heating	W	2360		
Current Input	Cooling	A	11.41		
	Heating	A	12.07		
Refrigerant Charge Volume			kg/oz	2.2 / 77.6	
Indoor Unit	Air Flow Volume		CFM	765	
			m3/h	1300	
	ESP	Rated	In.wg	0	
		Range	In.wg	0	
Sound Pressure Level (L/M/H)		dB(A)	38 / 42 / 46		
Connection Pipe	Outer Diameter	Liquid	in.	3/8"	
		Gas	in.	5/8"	
	Max. Distance	Height	ft.	49 1/4	
		Length	ft.	164 1/16	
Model	Outdoor Unit		WMMS-24C-V2B(58)4		
Outdoor Unit	Compressor Type		DC Inverter Driven Rotary		
	Compressor RLA		A	18.0	
	Fan Motor Power Output		HP	1/6	
	Fan Motor FLA		A	1.5	
	Max. Over Current Protection		A	40	
	Min. Current (MCA)		A	24.0	
	Outdoor Unit Air Flow Volume		CFM	2590	
	Condenser Fin / Tube Structure		Aluminum Fin-copper Tube		
	Maximum Allowable Pressure		PSIG	624	
	Throttling Method		Electron expansion valve		
	Defrosting Method		Automatic Defrosting		
	Sound Pressure / Power Level		dB (A)	57 / 57	
	Cooling Operation Ambient Temp. Range		°F	0 ~ 118	
	Heating Operation Ambient Temp. Range		°F	0 ~ 75	
	R410A Refrigerant Factory Charge		ozs	78.4	
	Factory Charge for Pipe Length		ft.	25	
	Gas Additional Charge		oz/ft.	0.6	

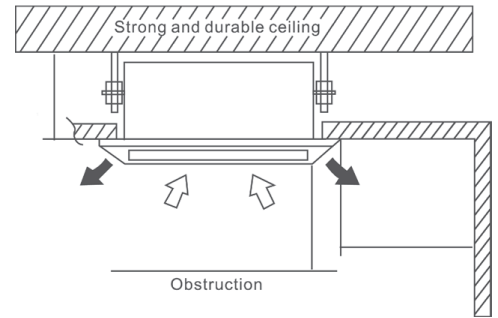


OUTDOOR UNIT

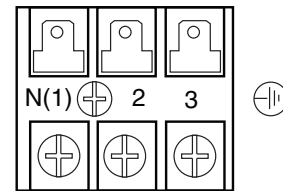
Dimensions (inches)	
W	38 5/8"
H	31 1/8"
D	15 1/2"



CLEARANCES

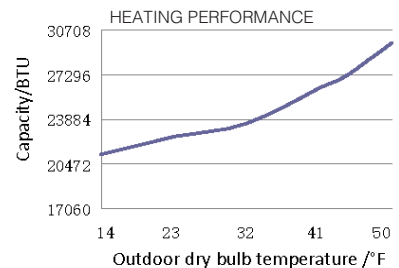
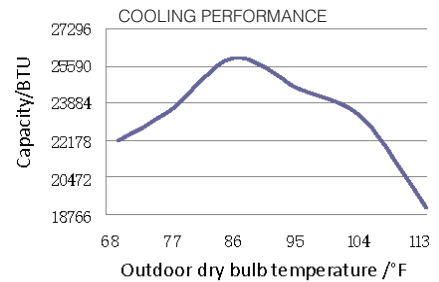
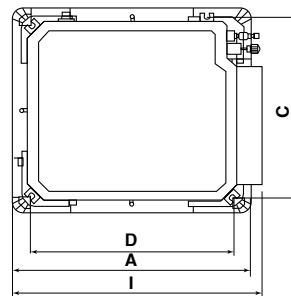
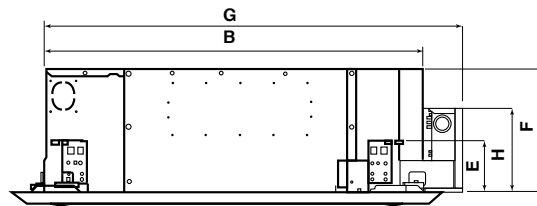


TERMINAL BLOCK



INDOOR UNIT

Dimensions (inches)	
A	37.375"
B	32.75"
C	30.75"
D	26.75"
E	6.25"
F	9.5"
G	36.125"
H	8.5"
I	39.125"



FEATURES

- 208-230/1/60 power input
- Quiet and efficient heating & cooling.
- LED display shows set temperature & operating modes.
- 4-way discharge fan.
- "U-TOUCH" Remote Control.
- DC Inverter technology
- Wide working ambient temperature ranges
- Stylish design
- Compact outdoor unit with side discharge
- Outdoor unit ships pre-charged.
- World-class quality compressors
- Durable powder coated cabinet
- Default flare brass connection valves
- Knock-outs for refrigerant pipes and wires
- Built to ETL/UL/CSA/ARI standards
- Easy installation and maintenance

YMGI Group

601 Arrow Ln, O'Fallon, Missouri 63366
 Phone: 1-866-833-3138
 Fax: 1-866-377-3355
 ymgigroup.com

Sales Representative or Distributor: