



## Submittal Data Sheet: WMMS-48KC-V2B(58)4

### INDOOR UNIT



**WMMS-48EC-U2B(58)4**

### OUTDOOR UNIT



**WMMS-48C-U2B(58)4**

### ACCESSORIES

- THERMOSTAT
- MOUNTING BRACKETS
- FOOT RISERS
- COPPER/WIRE/ACC.SET
- LINESET COVERS
- WINTER WIND BAFFLE
- BRIDGE CONTROLLER

Indoor Unit		WMMS-48EC-V2B(58)4	
Dimensions (W x D x H)	Outline	in.	35 7/8" x 35 7/8" x 11 3/8"
	Package	in.	40 1/4" x 39 1/8" x 14 3/4"
Weight Net/Gross	lbs		94.8 / 110.2
Panel			
Dimensions (W x D x H)	Outline	in.	41" x 41" x 2 1/2"
	Package	in.	44 3/4" x 44 3/4" x 5 1/2"
Weight Net/Gross	lbs		17.6 / 26.5
Outdoor Unit		WMMS42C-V2B(58)4	
Dimensions (W x D x H)	Outline	in.	37 3/4" x 16 1/8" x 53 1/8"
	Package	in.	41 1/8" x 17 7/8" x 59"
Weight Net/Gross	lbs		231.5 / 253.6
Connection Pipe			
Outer Diameter	Liquid	in.	3/8"
	Gas	in.	5/8"

Job Name:		Tag #:	
Location		Date:	
General Contractor:		Mechanical Contractor:	
Sales Representative:		Sales Engineer:	
Submitted by:		Drawing #:	
Reference		PO #:	

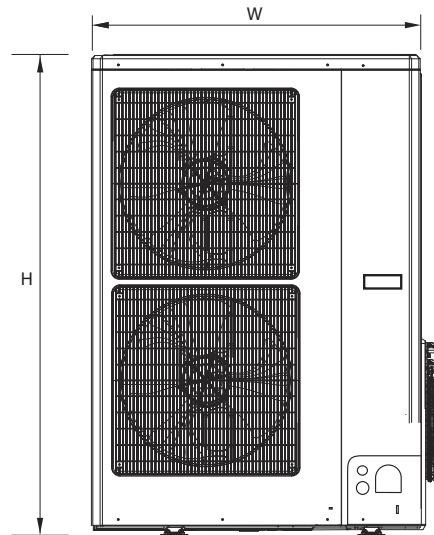
YMGI's ductless Ceiling Cassette Mini Split (WMMS) is designed for high performance, easy installation and servicing. The single-zone WMMS system consists of 1 ceiling cassette indoor unit and 1 outdoor unit. The outdoor unit is designed for horizontal venting, making condenser installation in tight areas simple. Ideal for multi-family and high-rise buildings in residential, commercial, institutional, and industrial applications. Includes U-Touch remote control.

Model	System		WMMS-48KC-V2B(58)4	
	Indoor Unit		WMMS-48EC-V2B(58)4	
Capacity	Cooling	W	14000	
		Btu/h	48000	
	Heating	W	16000	
		Btu/h	54500	
EER/COP		-	2.55 / 3.32	
Power Supply		V/Ph/Hz	208-230 / 1 / 60	
Power Input	Cooling	W	5500	
	Heating	W	5100	
Current Input	Cooling	A	28.13	
	Heating	A	24.55	
Refrigerant Charge Volume		kg/oz	4 / 141.1	
Indoor Unit	Air Flow Volume		CFM	1350
			m3/h	2300
	ESP	Rated	In.wg	0
		Range	In.wg	0
Sound Pressure Level (L/M/H)		dB(A)	41 / 47 / 52	
Connection Pipe	Outer Diameter	Liquid	in.	3/8"
		Gas	in.	5/8"
	Max. Distance	Height	ft.	49 1/4
		Length	ft.	164 1/16
Model	Outdoor Unit		WMMS42C-V2B(58)4	
Outdoor Unit	Compressor Type			DC Inverter Driven Rotary
	Compressor RLA		A	35.5
	Fan Motor Power Output		HP	2 x 1/6
	Fan Motor FLA		A	2 x 2.0
	Max. Over Current Protection		A	70
	Min. Current (MCA)		A	45.0
	Outdoor Unit Air Flow Volume		CFM	2590
	Condenser Fin / Tube Structure			Aluminum Fin-copper Tube
	Maximum Allowable Pressure		PSIG	624
	Throttling Method			Electron expansion valve
	Defrosting Method			Automatic Defrosting
	Sound Pressure / Power Level		dB (A)	59 / 59
	Cooling Operation Ambient Temp. Range		°F	0 ~ 118
	Heating Operation Ambient Temp. Range		°F	0 ~ 75
	R410A Refrigerant Factory Charge		ozs	123.2
	Factory Charge for Pipe Length		ft.	25
Gas Additional Charge		oz/ft.	0.6	

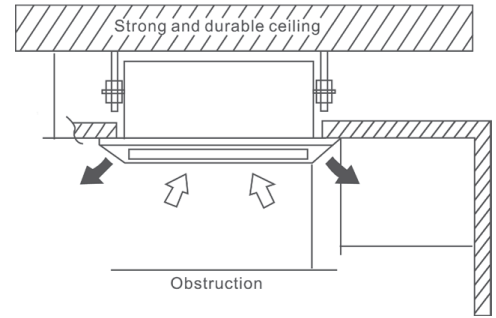


### OUTDOOR UNIT

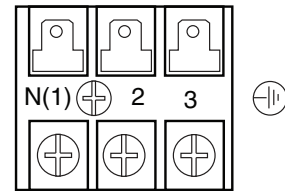
Dimensions (inches)	
W	37.75"
H	53.125"
D	14.75"



### CLEARANCES

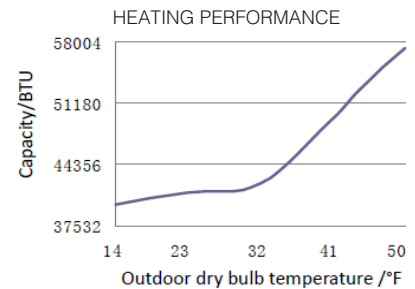
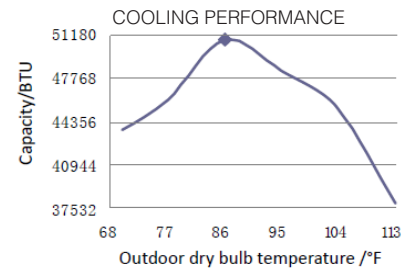
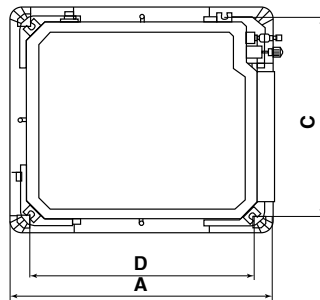
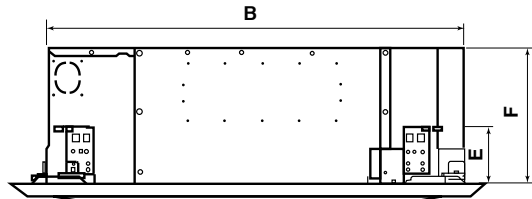


### TERMINAL BLOCK



### INDOOR UNIT

Dimensions (inches)	
A	41.0"
B	37.875"
C	33.125"
D	31.0"
E	6.75"
F	11.375"



### FEATURES

- 208-230/1/60 power input
- Quiet and efficient heating & cooling.
- LED display shows set temperature & operating modes.
- 4-way discharge fan.
- "U-TOUCH" Remote Control.
- DC Inverter technology
- Wide working ambient temperature ranges
- Stylish design
- Compact outdoor unit with side discharge
- Outdoor unit ships pre-charged.
- World-class quality compressors
- Durable powder coated cabinet
- Default flare brass connection valves
- Knock-outs for refrigerant pipes and wires
- Built to ETL/UL/CSA/ARI standards
- Easy installation and maintenance

**YMGI Group**  
 601 Arrow Ln, O'Fallon, Missouri 63366  
 Phone: 1-866-833-3138  
 Fax: 1-866-377-3355  
 ymgigroup.com

Sales Representative or Distributor: