



Submittal Data Sheet: WMMS-18KF-V2B(58)4

INDOOR UNIT



WMMS-18KF-V2B(58)4



OUTDOOR UNIT



WMMS-18C-V2B(58)4

ACCESSORIES

- THERMOSTAT
- MOUNTING BRACKETS
- FOOT RISERS
- COPPER/WIRE/ACC.SET
- LINESET COVERS
- WINTER WIND BAFFLE
- BRIDGE CONTROLLER

Indoor Unit			WMMS-18KF-V2B(58)4
Dimensions (W x D x H)	Outline	in.	40 3/4" x 28 3/8" x 10 3/8"
	Package	in.	44 1/4" x 31 3/8" x 12 3/4"
Weight Net/Gross	lbs		72.8 / 83.79
Panel			
Dimensions (W x D x H)	Outline	in.	-
	Package	in.	-
Weight Net/Gross	lbs		-
Outdoor Unit			WMMS-18C-V2B(58)4
Dimensions (W x D x H)	Outline	in.	37 5/8" x 15 1/2" x 27 1/2"
	Package	in.	40 1/2" x 18" x 29 1/2"
Weight Net/Gross	lbs		105.8 / 114.7
Connection Pipe			
Outer Diameter	Liquid	in.	1/4"
	Gas	in.	1/2"

Job Name:		Tag #:	
Location		Date:	
General Contractor:		Mechanical Contractor:	
Sales Representative:		Sales Engineer:	
Submitted by:		Drawing #:	
Reference		PO #:	

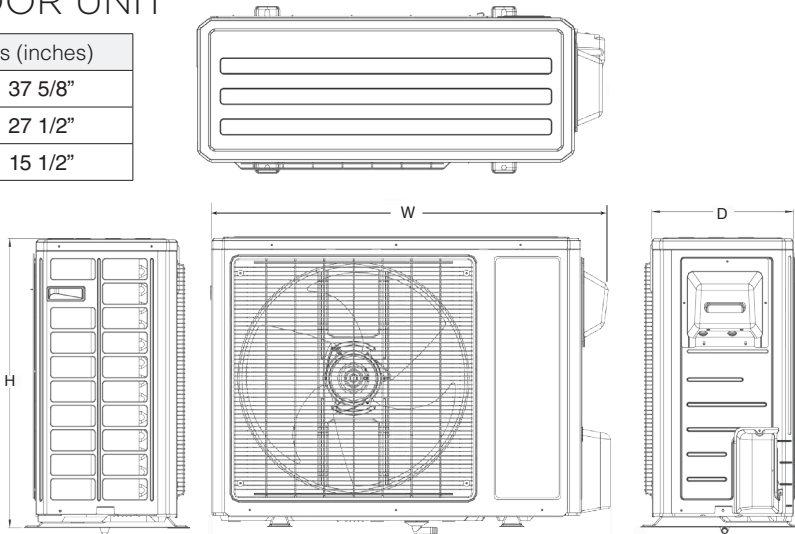
YMGI's ductless Recessed Fan Coil Mini Split (WMMS) is designed for high performance, easy installation and servicing. The single-zone WMMS system consists of 1 recessed fan coil indoor unit and 1 outdoor unit. The outdoor unit is designed for horizontal venting, making condenser installation in tight areas simple. Ideal for multi-family and high-rise buildings in residential, commercial, institutional, and industrial applications. Includes wall mount control.

Model	System			WMMS-18KF-V2B(58)4
	Indoor Unit			WMMS-18EF-V2B(58)4
Capacity	Cooling		W	5000
			Btu/h	17100
	Heating		W	5500
			Btu/h	18800
EER/COP				- / 3.23/3.32
Power Supply				V/Ph/Hz 208-230/1/60
Power Input	Cooling		W	1550
	Heating		W	1650
Current Input	Cooling		A	7.93
	Heating		A	8.44
Refrigerant Charge Volume				kg/oz 1.4/49.4
Indoor Unit	Air Flow Volume		CFM	585
			m3/h	1000
	ESP	Rated	In.wg	0.1
		Range	In.wg	0-0.12
Sound Pressure Level (L/M/H)		dB(A)	28 / 36 / 39	
Connection Pipe	Outer Diameter	Liquid	in.	1/4"
		Gas	in.	1/2"
	Max. Distance	Height	ft.	49 1/4
		Length	ft.	164 1/16
Model	Outdoor Unit			WMMS-18C-V2B(58)4
Outdoor Unit	Compressor Type			DC Inverter Driven Rotary
	Compressor RLA			A 12.0
	Fan Motor Power Output			HP 1/6
	Fan Motor FLA			A 1.5
	Max. Over Current Protection			A 25
	Min. Current (MCA)			A 17.0
	Outdoor Unit Air Flow Volume			CFM 2590
	Condenser Fin / Tube Structure			Aluminum Fin-copper Tube
	Maximum Allowable Pressure			PSIG 624
	Throttling Method			Electron expansion valve
	Defrosting Method			Automatic Defrosting
	Sound Pressure / Power Level			dB (A) 56 / 56
	Cooling Operation Ambient Temp. Range			°F 0 ~ 118
	Heating Operation Ambient Temp. Range			°F 0 ~ 75
	R410A Refrigerant Factory Charge			ozs 49.6
	Factory Charge for Pipe Length			ft. 25
	Gas Additional Charge			oz/ft. 0.3

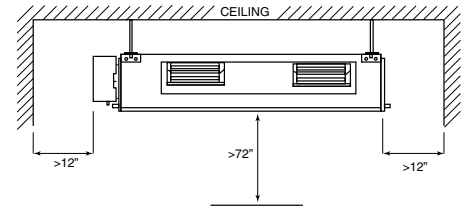


OUTDOOR UNIT

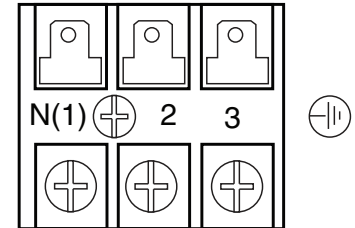
Dimensions (inches)	
W	37 5/8"
H	27 1/2"
D	15 1/2"



CLEARANCES

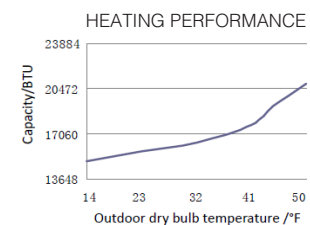
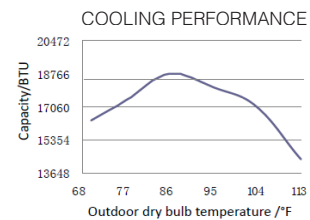
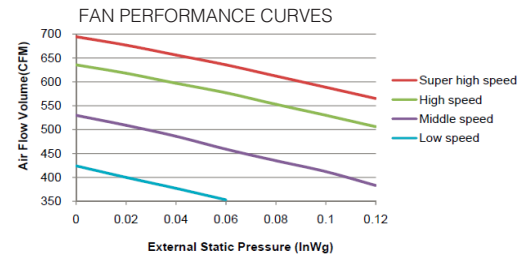
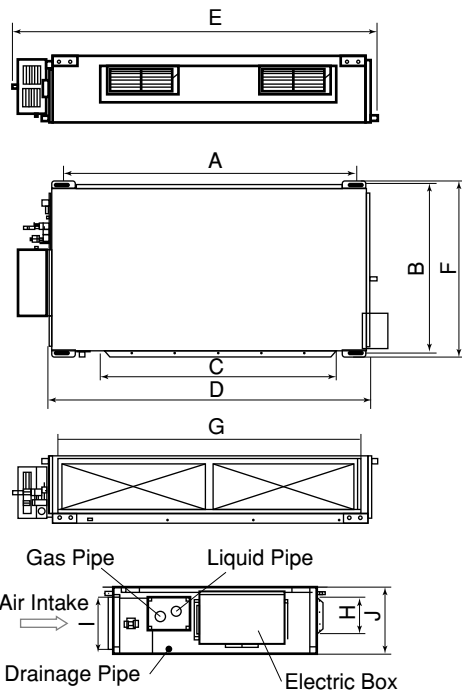


TERMINAL BLOCK



INDOOR UNIT

Dimensions (inches)	
A	37.25"
B	24.375"
C	29.0"
D	35.125"
E	40.88"
F	28.375"
G	29.0"
H	4.875"
I	8.0"
J	10.5"



FEATURES

- 208-230/1/60 power input
- Quiet and efficient heating & cooling.
- Wall Mounted Controller with Digital Display
- Low profile for easy installation in a ceiling or between joists
- Built in protection functions
- DC Inverter technology
- Wide working ambient temperature ranges
- Stylish design
- Compact outdoor unit with side discharge
- Outdoor unit ships pre-charged.
- World-class quality compressors
- Durable powder coated cabinet
- Default flare brass connection valves
- Knock-outs for refrigerant pipes and wires
- Built to ETL/UL/CSA/ARI standards
- Easy installation and maintenance

YMGI Group
 601 Arrow Ln, O'Fallon, Missouri 63366
 Phone: 1-866-833-3138
 Fax: 1-866-377-3355
 ymgigroup.com

Sales Representative or Distributor: