



## Submittal Data Sheet: WMMS-30KF-V2B(58)4

### INDOOR UNIT



**WMMS-30EF-U2B(58)4**



### OUTDOOR UNIT



**WMMS-30C-U2B(58)4**

### ACCESSORIES

- ADVANCED HEALTHY KIT  
HEPA/Enzyme/Cold Catalyst Filter  
Anion Generator
- THERMOSTAT
- MOUNTING BRACKETS
- FOOT RISERS
- COPPER/WIRE/ACC.SET
- LINESET COVERS
- WINTER WIND BAFFLE
- BRIDGE CONTROLLER

Indoor Unit			WMMS-30EF-V2B(58)4
Dimensions (W x D x H)	Outline	in.	48" x 27 1/2" x 8 7/8"
	Package	in.	52 7/8" x 32 3/8" x 12 3/8"
Weight Net/Gross	lbs		88.2 / 110.25
Panel			
Dimensions (W x D x H)	Outline	in.	-
	Package	in.	-
Weight Net/Gross	lbs		-
Outdoor Unit			WMMS30C-V2B(58)4
Dimensions (W x D x H)	Outline	in.	38 5/8" x 16 3/4" x 31 1/8"
	Package	in.	42 5/8" x 19 1/4" x 33 5/8"
Weight Net/Gross	lbs		158.8 / 169.8
Connection Pipe			
Outer Diameter	Liquid	in.	3/8"
	Gas	in.	5/8"

Job Name:		Tag #:	
Location		Date:	
General Contractor:		Mechanical Contractor:	
Sales Representative:		Sales Engineer:	
Submitted by:		Drawing #:	
Reference		PO #:	

YMGI's ductless Mini Split is designed for high performance, easy installation and servicing. The single-zone WMMS system consists of 1 Recessed Fan Coil indoor unit and 1 outdoor unit. The outdoor unit is designed for horizontal venting, making condenser installation in tight areas simple. Ideal for multi-family and high-rise buildings in residential, commercial, institutional, and industrial applications. Includes U-Touch remote control.

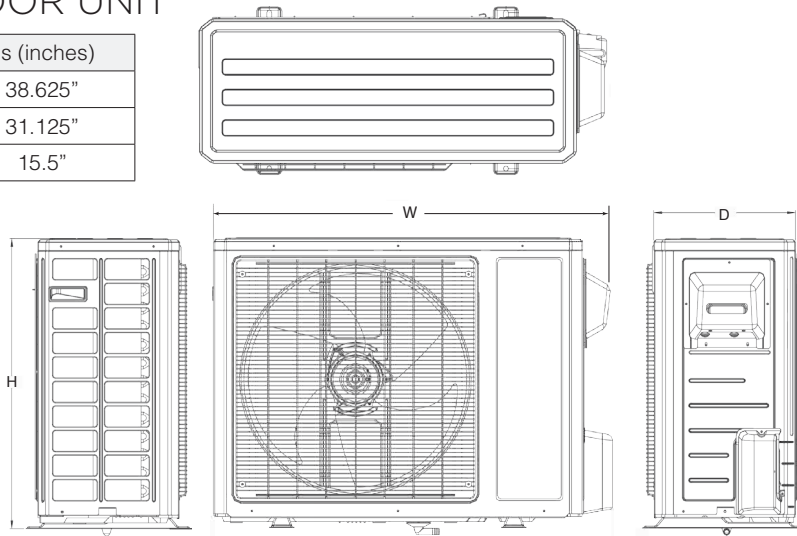
Model	System		WMMS-30K-V2B(58)4	
	Indoor Unit		WMMS-30EF-V2B(58)4	
Capacity	Cooling	W	8300	
		Btu/h	28200	
	Heating	W	9200	
		Btu/h	31200	
EER/COP		-	2.52 / 2.96	
Power Supply		V/Ph/Hz	208-230 / 1 160	
Power Input	Cooling	W	3300	
	Heating	W	3100	
Current Input	Cooling	A	16.88	
	Heating	A	15.86	
Refrigerant Charge Volume		kg/oz	2.4 / 84.7	
Indoor Unit	Air Flow Volume	CFM	820	
		m3/h	1400	
	ESP	Rated	In.wg	0.15
		Range	In.wg	0-0.3
Sound Pressure Level (L/M/H)	dB(A)		40 / 44 / 46	
Connection Pipe	Outer Diameter	Liquid	in.	3/8"
		Gas	in.	5/8"
	Max. Distance	Height	ft.	49 1/4
		Length	ft.	164 1/16
Model	Outdoor Unit		WMMS30C-V2B(58)4	
Outdoor Unit	Compressor Type		DC Inverter Driven Rotary	
	Compressor RLA	A	18.0	
	Fan Motor Power Output	HP	1/6	
	Fan Motor FLA	A	1.5	
	Max. Over Current Protection	A	40	
	Min. Current (MCA)	A	24.0	
	Outdoor Unit Air Flow Volume	CFM		2590
	Condenser Fin / Tube Structure			Aluminum Fin-copper Tube
	Maximum Allowable Pressure	PSIG		624
	Throttling Method			Electron expansion valve
	Defrosting Method			Automatic Defrosting
	Sound Pressure / Power Level	dB (A)		58 / 58
	Cooling Operation Ambient Temp. Range	°F		0 ~ 118
	Heating Operation Ambient Temp. Range	°F		0 ~ 75
	R410A Refrigerant Factory Charge	ozs		84.8
	Factory Charge for Pipe Length	ft.		25
	Gas Additional Charge	oz/ft.		0.6



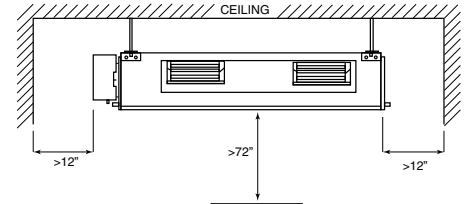
# Submittal Data Sheet: WMMS-30KF-U2B(58)4

## OUTDOOR UNIT

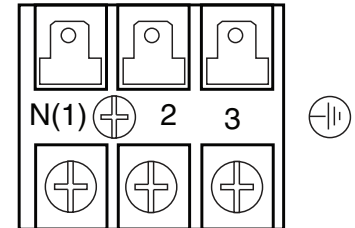
Dimensions (inches)	
W	38.625"
H	31.125"
D	15.5"



## CLEARANCES

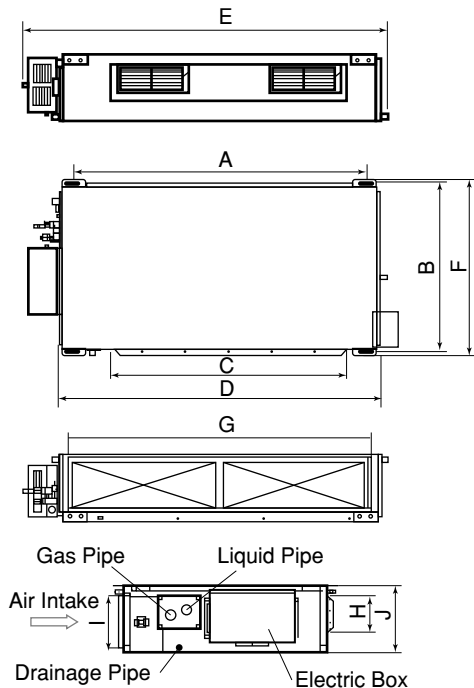


## TERMINAL BLOCK

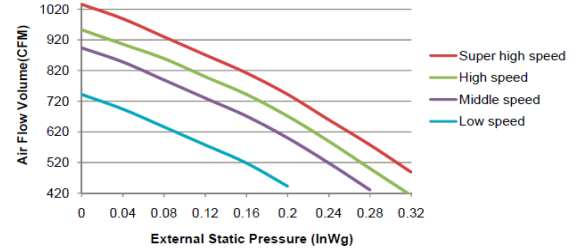


## INDOOR UNIT

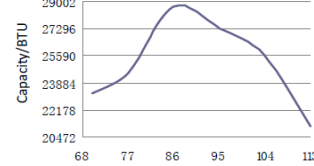
Dimensions (inches)	
A	43.375"
B	20.375"
C	32.25"
D	45.625"
E	50.38"
F	22.0"
G	39.5"
H	6.25"
I	9.3"
J	10.5"



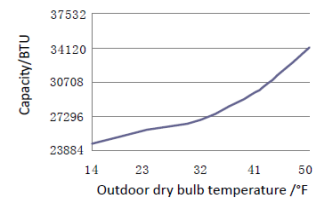
## FAN PERFORMANCE CURVES



## COOLING PERFORMANCE



## HEATING PERFORMANCE



## FEATURES

- 208-230/1/60 power input
- Quiet and efficient heating & cooling.
- LED display shows set temperature & operating modes.
- Motorized louver system quietly distributes air evenly
- "U-TOUCH" Remote Control.
- DC Inverter technology
- Wide working ambient temperature ranges
- Stylish design
- Compact outdoor unit with side discharge
- Outdoor unit ships pre-charged.
- World-class quality compressors
- Durable powder coated cabinet
- Default flare brass connection valves
- Knock-outs for refrigerant pipes and wires
- Built to ETL/UL/CSA/ARI standards
- Easy installation and maintenance

## YMGI Group

601 Arrow Ln, O'Fallon, Missouri 63366  
 Phone: 1-866-833-3138  
 Fax: 1-866-377-3355  
 ymgigroup.com

Sales Representative or Distributor: