



**Submittal Data Sheet: VRFI-07EF-H2B(55)5**

**INDOOR UNIT**



**VRFI-07EF-H2B(55)5**



Wall Controller Included

Job Name:		Tag #:	
Location		Date:	
General Contractor:		Mechanical Contractor:	
Sales Representative:		Sales Engineer:	
Submitted by:		Drawing #:	
Reference		PO #:	

**Intelligent Drainage Device**

Built-in water lift condensate pump and overflow protection.

**Easy Installation**

Dual air connections on the bottom and rear for flexible connections.

**Convenient Maintenance**

Tab type washable filter, detachable fan motor, independent water pump and electric box assemblies for easy maintenance.

**Protection Functions**

Built-in water overflow, anti-freezing, fan motor overload, and temperature sensor malfunction protection.

**Digital Display**

Users and service technicians can use the digital display on the Wall Mount Controller to see status and any protection or error codes.

**Thermostat Controller**

By using a YMGI bridge controller, North American style thermostats (Nest, Honeywell, Pro1, YMGI etc.) can be used for temperature control, locally or remotely, individually or in groups.

**ACCESSORIES**

- COPPER LINE SET
- LINE SET COVERS
- YMGI BRIDGE CONTROLLER
- THERMOSTAT

Model VRFI-07EF-H2B(55)5		
Connection Pipes		
Liquid Connecting Pipe Diameter	in.	Ø1/4
Gas Connecting Pipe Diameter	in.	Ø3/8
Drain Pipe External Diameter	in.	Ø1
Drain Pipe Internal Diameter	in.	Ø13/16

Dimensions & Weight Indoor Unit		
Unit Dimensions (W x D x H)	in.	27 1/2 x 27 1/2 x 11 3/4
Net Weight	lbs.	73

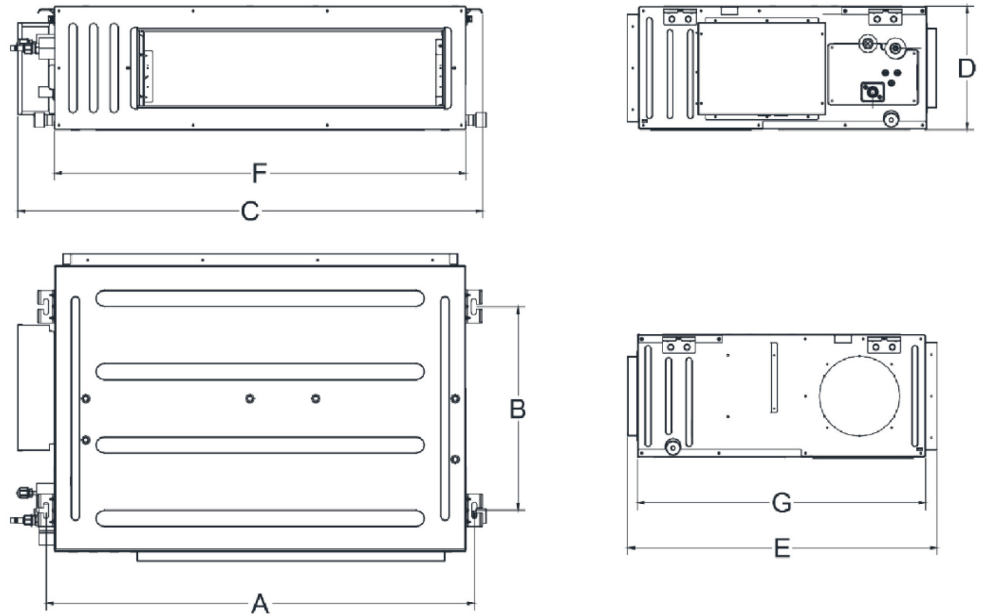
Model VRFI-07EF-H2B(55)5			
Cooling Capacity	Btu/h	7500	
Heating Capacity	Btu/h	8500	
Power Supply	V/Ø/Hz	208 ~ 230 / 1 / 60	
Fan Motor Power Output	W	80	
Airflow Volume (H/M/L)	CFM	235 / 282 / 323	
Related Current Heating / Cooling	Amp	0.3	
MCA	Amp	0.375	
MOP	Amp	15	
ESP	Std.	WG	0.24"
	Min.-Max.	WG	0 - 0.6"
Condensate Pump Lift from base of unit	in.	39 3/8"	
Sound Pressure Level (H / M / L)	dB(A)	31 / 33 / 35	
Refrigerant		R410A	



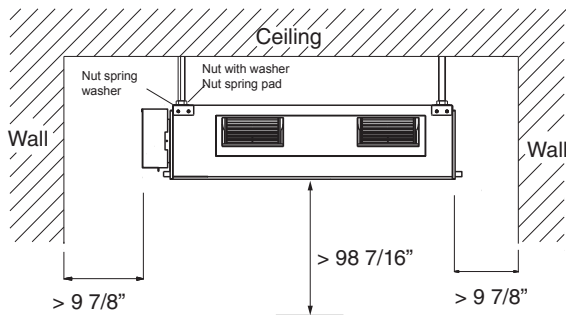
# Submittal Data Sheet: VRFI-07EF-H2B(55)5

## INDOOR UNIT

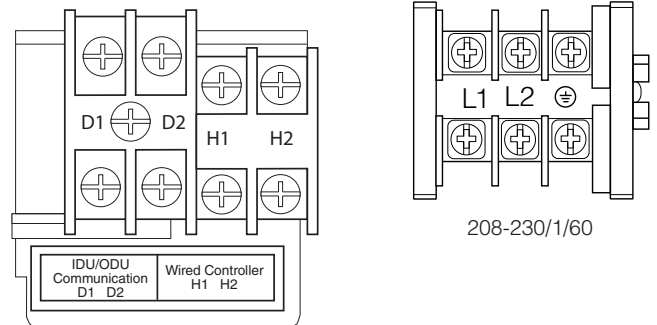
Dimensions	
	inches
A	29 3/4"
B	19-3/4"
C	32 3/4"
D	11 7/8"
E	29 3/4"
F	27 5/8"
G	27 5/8"



## CLEARANCE



## WIRING



## FEATURES

- 208-230/1/60 power input
- Quiet and efficient heating & cooling.
- Built-in Protection Functions
- Digital Wall Controller
- Can be controlled with a standard Thermostat by using optional YMG I Bridge Controller
- Pre-charged with dry nitrogen
- Standard flare nut connection
- Built to ETL/UL/CSA/AHRI standards
- Bolts on to existing ductwork
- Easy installation and convenient maintenance

**YMG I Group**  
 601 Arrow Ln, O'Fallon, Missouri 63366  
 Phone: 1-866-833-3138  
 Fax: 1-866-377-3355  
 ymgigroup.com

Sales Representative or Distributor: