



40W · 50W · 60W
4200 lm · 5250 lm · 6300 lm

LED Panel Lights

Commercial Lighting

FEATURES & SPECIFICATIONS

YMGI Group

601 Arrow Ln, O'Fallon, MO 63366 • info@ymgigroup.com • ymgigroup.com • 866-833-3138

LED Panel Lighting



Applications

- Home, Office, School, Retail, Medical, Hospitality and many other interior applications.

Features

- Uses 75% less electricity than a conventional CFL light fixture
- Latest LED lighting technology offers the highest return on initial investment.
- Perfect Light Uniformity, up to 105 LM/W.
- 0-10V dimmable driver, DLC4.0 standard.

LED Characteristics

- Long-life, High efficiency, micro-power, surface mount LEDs.
- Binned and mixed for uniform light output and color.
- 6-step MacAdam Ellipse binning to achieve consistent fixture-to-fixture color.

Quality Control

- Every fixture is rigorously tested before shipping.

Certifications

- UL listed to US and Canadian standards.
- DLC 4.0 qualified.

Dimming

- 0-10v dimming system, dimming scope 10%-100%

Thermal Management

Strategic placement of the power source, and a radiator the size of the entire fixture alleviate heat concentration issues, preventing hot spots found in lights with smaller radiators. This enables the LEDs to consistently run cooler, increasing the lifespan, efficiency, and color consistency.

Electrical

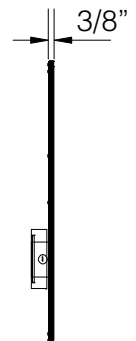
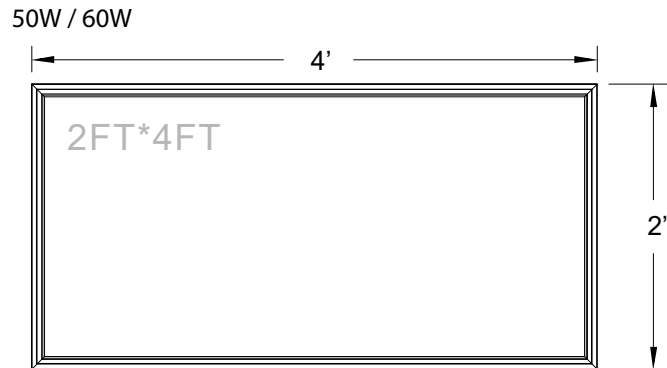
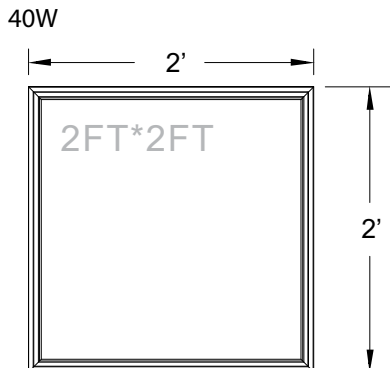
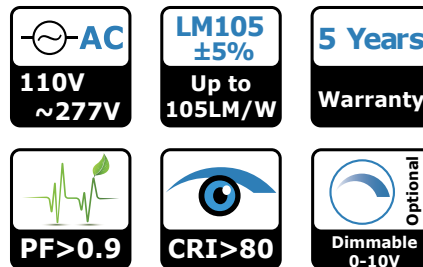
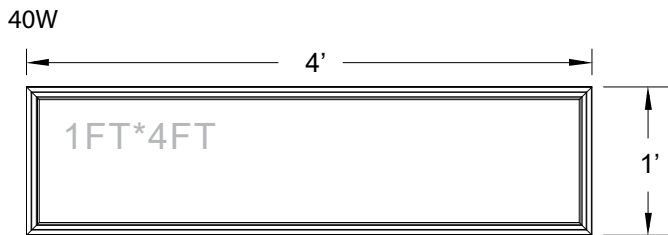
- 110-277v
- 50/60Hz
- THD <20%
- Power Factor >0.95

WARRANTY

- Limited 5 Year Warranty



Dimensions



LED Panel Lighting

Description

Voltage AC100-277, dimmable (0-10v), Ra>80, PF≥0.95, Packing: 2 Pcs(Box)/Pak,
Working ranges: Temperature -4°F~122°F, Relative Humidity 20%~85%,
Lifetime 50000H @L70.

No.	Models	Dimensions	Color Temperature	Input Watts	Lumens	Lum./W	Certificates	Remarks		
1	YMPL-14W3000-40W4KL	1x4'	3000K	40	4000	100	UL, DLC4.0 Standard	Lumens tolerance ±5%, 5 year warranty-parts only		
2	YMPL-14W4000-40W4KL		4000K							
3	YMPL-14W5000-40W4KL		5000K							
4	YMPL-14W3000-40W5KL		3000K		5000	125			UL, DLC4.0 Premium	
5	YMPL-14W4000-40W5KL		4000K							
6	YMPL-14W5000-40W5KL		5000K							
7	YMPL-22W3000-40W4KL	2x2'	3000K	40	4000	100	UL, DLC4.0 Standard	Lumens tolerance ±5%, 5 year warranty-parts only		
8	YMPL-22W4000-40W4KL		4000K							
9	YMPL-22W5000-40W4KL		5000K							
10	YMPL-22W3000-40W5KL		3000K		5000	125			UL, DLC4.0 Premium	
11	YMPL-22W4000-40W5KL		4000K							
12	YMPL-22W5000-40W5KL		5000K							
13	YMPL-24W3000-40W5KL	2x4'	3000K	40	5000	125	UL, DLC4.0 Premium	Lumens tolerance ±5%, 5 year warranty-parts only		
14	YMPL-24W4000-40W5KL		4000K							
15	YMPL-24W5000-40W5KL		5000K							
16	YMPL-24W3000-50W5KL		3000K		50	5000			100	UL, DLC4.0 Standard
17	YMPL-24W4000-50W5KL		4000K							
18	YMPL-24W5000-50W5KL		5000K							
19	YMPL-24W3000-50W6KL	3000K	50	6000	120	UL, DLC4.0 Premium	Lumens tolerance ±5%, 5 year warranty-parts only			
20	YMPL-24W4000-50W6KL	4000K								
21	YMPL-24W5000-50W6KL	5000K								
22	YMPL-24W3000-60W6KL	3000K	60	6000	100			UL, DLC4.0 Standard	Lumens tolerance ±5%, 5 year warranty-parts only	
23	YMPL-24W4000-60W6KL	4000K								
24	YMPL-24W5000-60W6KL	5000K								
25	YMPL-24W3000-60W7KL	3000K	60	7000	116	UL, DLC4.0 Premium	Lumens tolerance ±5%, 5 year warranty-parts only			
26	YMPL-24W4000-60W7KL	4000K								
27	YMPL-24W5000-60W7KL	5000K								

Nomenclature:

YMPL-24W4000-50W5KL

YMGI Panel Light

2x4' Dimensions

Color Temperatures 4000K

50Watts

5000 Lums



ENERGY EFFICIENT LIGHTING

LED light panels are designed for residential and commercial suspended grid ceilings. YMGI's 1' x 4', 2'x2', and 2' x 4' LED panel lights are perfect for office, basement, gym, school, hospital lighting, and more! Replace existing fluorescent light fixtures or use for new construction applications. Our LED panel light delivers a smooth, flawless wall of illumination without visible bulbs or hot spots.

YMGI Symphony-Ductless & Ducted Heat Pump & Heat Recovery:

- **Symphony SOLAR DC Inverter**
(56) Single PV, (79) Single PH
- **Symphony SOLO DC Inverter**
(57)2,3-Single Zone 16 SEER, 09-24K Btu/h
(58)2-Single Zone 16-22 SEER, 09-36K Btu/h
(58)4, (78)1-Single Zone 18-23 SEER, 09-36K Btu/h
- **Symphony CHOIR DC Inverter**
(59)2-DC Inverter Multiple Zone 16 SEER, 2x09K to 5x12K Btu/h
(59)2S-DC Inverter Multiple Zone 16 SEER 6x09K to 9x12K Btu/h
(59)4-DC Inverter Multiple Zone 21 SEER 5x09K to 5x12K Btu/h
- **Symphony VRF - DC Inverter HP or Heat Recovery up to 64 zones.**
- **Symphony HARMONY-Packaged Self-Contained**
42"x16" PTAC/PTHP, 26" & 24" TTW, and 37"x24" WMMP
- **Symphony CONDUCTOR-Split Type Condensing Units**
Side Discharge SHCR & VPAK

YMGI Group

LOS ANGELES • ST. LOUIS • NEW YORK

601 Arrow Ln, O'Fallon, MO 63366

www.ymgigroup.com

Tel: 866-833-3138 • Fax: 866-377-3355

Email: info@YMGIgroup.com

Sales Representative or Distributor: