

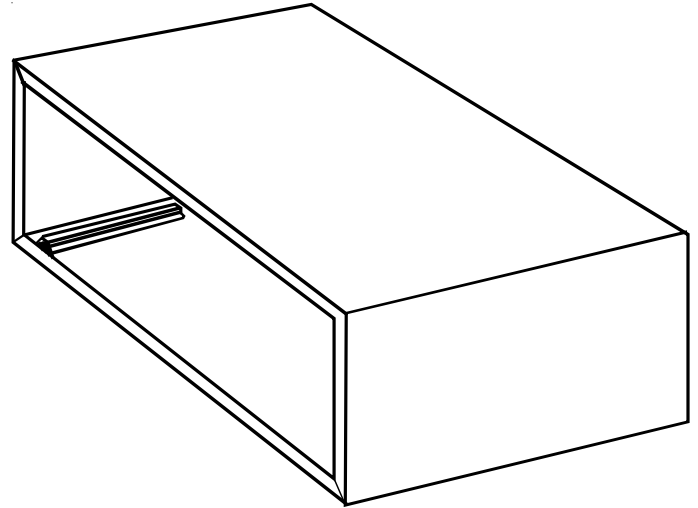
# PTAC EXTENDED WALL SLEEVE INSTALLATION INSTRUCTIONS

*Install before the air conditioner or heat pump chassis is set in place.  
**READ THESE INSTRUCTIONS THOROUGHLY BEFORE PROCEEDING.***

When 230/208 volt units are to be installed, the power supply may be either cord connected or permanent wiring. Permanent wiring may be done through the accessory hard wire junction box, or the accessory subbase.

When 265 volt units are to be installed, the permanent wiring must be used for the power supply. Permanent wiring can be done through the accessory hard wire junction box, or the accessory subbase. **An exposed cord connection on 265 volt units is not permitted.**

The subbase accessory includes leveling legs. If added wall sleeve support is required and the subbase is not to be used, an accessory leveling leg kit may be installed.



## Table of Contents

<b>KIT ACCESSORIES .....</b>	<b>2</b>
<b>DRAIN KIT .....</b>	<b>2</b>
<b>SUBBASE, LEVELING LEGS, MAIN DUCT, AND HYDRONIC HEAT KITS .....</b>	<b>2</b>
<b>PRE-INSTALLATION CONSIDERATIONS .....</b>	<b>3</b>
<b>OUTDOOR ENCLOSURE PANEL REMOVAL .....</b>	<b>3</b>
<b>WALL SLEEVE INSTALLATION .....</b>	<b>4</b>



**RECOGNIZE THIS SYMBOL AS A SAFETY PRECAUTION**

## ATTENTION INSTALLING PERSONNEL

As a professional installer you have an obligation to know the product better than the customer. This includes all safety precautions and related items.

Prior to actual installation, thoroughly familiarize yourself with this Instruction Manual. Pay special attention to all safety warnings. Often during installation or repair it is possible to place yourself in a position which is more hazardous than when the unit is in operation.

Remember, it is **your** responsibility to install the product safely and to know it well enough to be able to instruct a customer in its safe use.

Safety is a matter of common sense...a matter of thinking before acting. Most dealers have a list of specific good safety practices...follow them.

The precautions listed in this Installation Manual are intended as supplemental to existing practices. However, if there is a direct conflict between existing practices and the content of this manual, the precautions listed here take precedence.

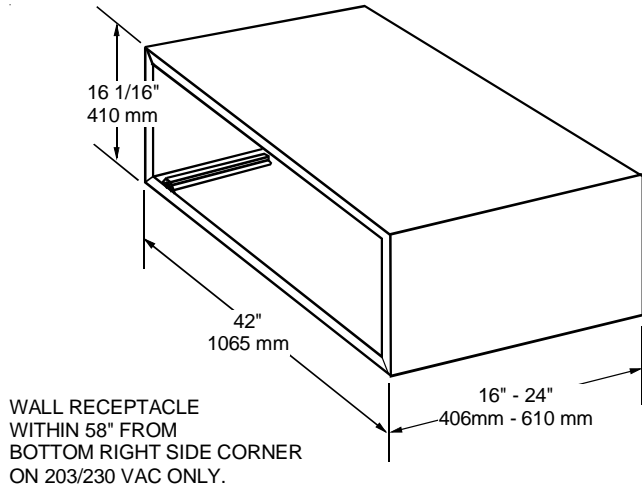
# KIT ACCESSORIES

## DRAIN KIT

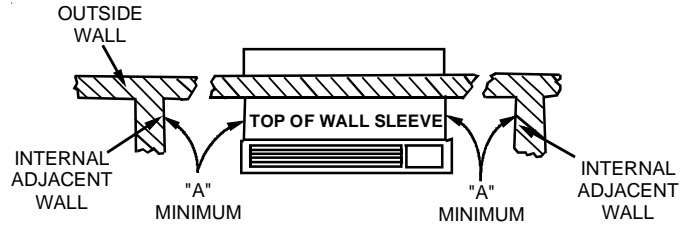
An indoor/outdoor drain kit is available as an accessory item. When a drain kit is to be installed, do so before installing the wall sleeve in the wall. See the drain kit for actual installation instructions. For improved drainage, install indoor drain kit as close to wall as possible.

## SUBBASE, LEVELING LEGS, MAIN DUCT, AND HYDRONIC HEAT KITS

Installation of these kits requires drilling of mounting holes on both sides of the wall sleeve. The minimum required clearance distance between the wall sleeve and wall is shown in Table 1. If the distance between wall sleeve and wall will be at or near the minimum clearance distance, mount these kits on the sleeve before installing the sleeve in the wall. The kit installation instructions are included with the accessory kits.

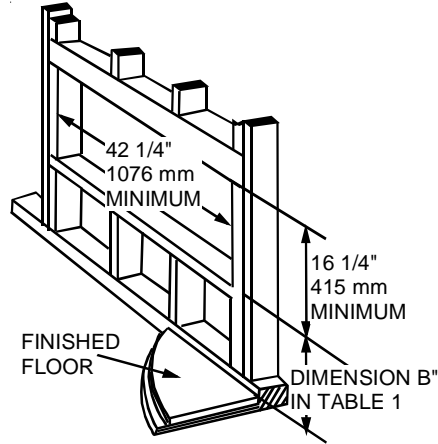


**Figure 1 - Wall Sleeve Dimensions**

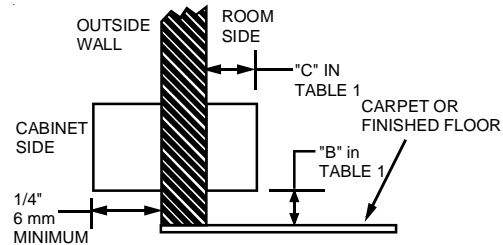


Allow Front Clearance (see Table 1)

**Figure 2 - Minimum Unit Clearances**



**Figure 3 - Minimum Wall Opening Dimensions**



**Figure 4 - Minimum Interior and Exterior Projections**

MINIMUM CLEARANCES AND PROJECTIONS						
OPTION	MINIMUM CLEARANCES				MINIMUM PROJECTION	
	A (Figure 2)		B (Figure 3)		C (Figure 4)	
	Inches	mm	Inches	mm	Inches	mm
Wall Sleeve Only	3	75	0	0	0	0
Subbase Kit	3	75	3 1/4	85	2 3/4	75
Leveling Legs Kit	3	75	3	75	2	50
Duct Kit	3	75	0	0	2 3/8	35
Hydronic Heat Kit	9	230	0 to 3 1/4 <sup>3</sup>	0 to 85 <sup>3</sup>	3 <sup>2</sup>	75 <sup>2</sup>
Drain Kit	3	75	0 <sup>1</sup>	0 <sup>1</sup>	0	0
Hardwire Kit	3	75	1 1/4	30	0	0

<sup>1</sup> If inside mounted then B = 1 1/2 inches (40 mm)

<sup>2</sup> To achieve a flush fit between the hydronic front and the finished wall, Dimension "C" must be between 3" and 3 1/8". If this dimension is more than 3 1/8" there will be a gap between the front and the wall. This gap could permit occupant access to hydronic lines or other dangerous parts.

<sup>3</sup> This dimension can be from 0" to 3-1/4", but cannot exceed 3-1/4". If this dimension exceeds 3-1/4", the skirt around the front will not reach the floor.

**Table 1**

## PRE-INSTALLATION CONSIDERATIONS

Before proceeding with the sleeve installation, ensure the following guidelines for locating the wall opening and sleeve are met.

- The wall opening must be the correct size. See Figure 1 for wall sleeve dimensions and Figure 3 for minimum wall opening size.
- The wall sleeve needs to be installed with minimum clearances to the floor and adjacent walls. Minimum projections of the sleeve into and out of the room will also have to be met. See Figures 2 and 4 as well as Table 1 for details.
- If installed in a concrete or masonry wall, a lintel must be provided in the wall opening for support. **Do not use the wall sleeve as a lintel.** See Figure 5 for a typical lintel construction.
- When installed in the opening, the wall sleeve must be horizontally level from side to side and pitched (one quarter bubble in the sight glass) to the outside. **DO NOT SLOPE THE WALL SLEEVE TOWARD THE ROOM.**
- The installer must determine and supply the mounting bolts and/or screws to attach the wall sleeve to the sides of the wall opening. Make sure the wall opening is adequate for strong support.
- The installer must provide adequate sealing and insulation around the sleeve after it is installed. See Figure 6 for one of many types of constructions.
- If used, a 208/230-volt wall receptacle must be located within 58 inches of the lower right sleeve corner. Extension cords must not be used with the unit. See the note on Figure 1.

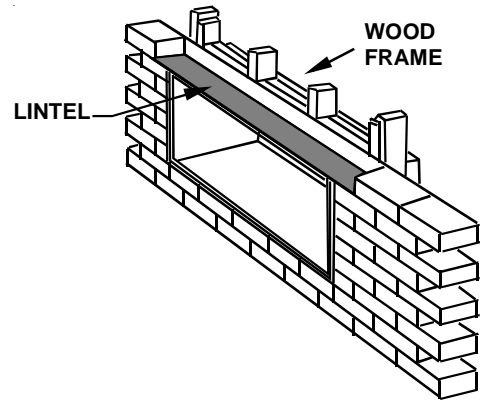
**Note:** Additional extension kits are not allowed beyond the 24" wall sleeve depth.

### OUTDOOR ENCLOSURE PANEL REMOVAL

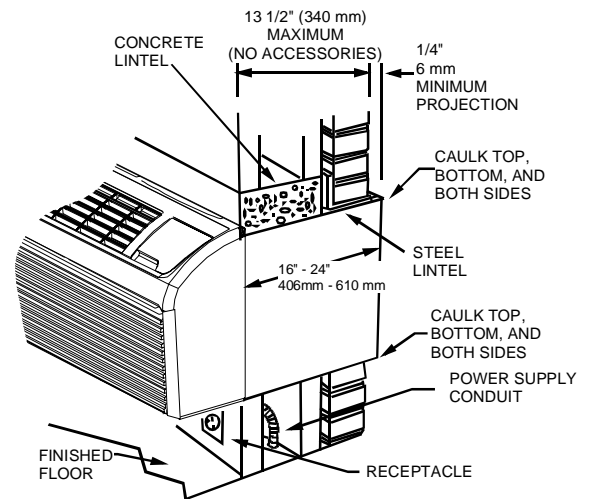
The sleeve stiffener must be taken out before the enclosure panel can be removed from the sleeve.

1. Remove the zig-zag folded cardboard sleeve stiffener (Figure 7).
2. Grasping the top and bottom flanges of the rear closure panel as shown in Figure 8, pull the entire panel out diagonally from one side.

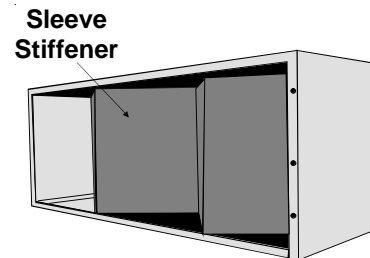
Install the wall sleeve condenser air grille by using the screws and holes provided. (See the Installation Instructions provided for the grille kits.)



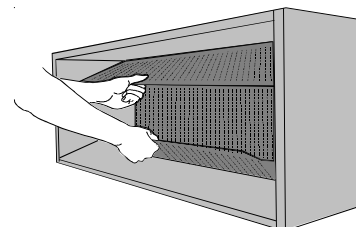
**Figure 5 - Framing with Lintel**



**Figure 6 - Block and Brick Veneer Installation**



**Figure 7- Sleeve Stiffener Removal**

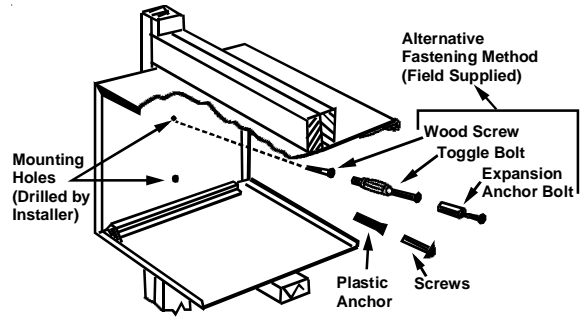


**Figure 8 - Panel Removal**

## WALL SLEEVE INSTALLATION

After the wall opening is checked and approved for location, size, and clearances, complete the following to install the wall sleeve.

1. Slide the wall sleeve into the wall opening. Do not distort the cabinet shape to fit the wall opening; the unit chassis must fit snugly and uniformly into the wall sleeve.
2. Locate the sleeve within the range of minimum projections, as shown in Figures 3 and 4, so both sides are at least the minimum projection from the wall.
3. Check the level of the wall sleeve. For proper drainage, the sleeve should be level from side to side and one-quarter bubble in the sight glass sloping to the outside.
4. Two holes will need to be drilled in both sides of the wall sleeve for mounting into the wall. Drill holes of proper size and in the proper location so the screws will engage into strong supporting members of the wall. **DO NOT DRILL THROUGH BOTTOM OF SLEEVE.** Figure 9 shows possible fastening methods.



**Figure 9 - Wall Sleeve Attachment to Opening**

5. Check the level of the wall sleeve and adjust if necessary.
6. Caulk or seal around the outside of the entire sleeve.
7. If chassis is not immediately installed, reinstall the outdoor enclosure panel.
8. Recycle or dispose of packaging materials per local codes.