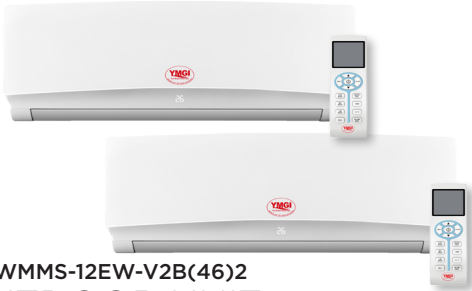




Submittal Data Sheet: WMMS-2x12K-V2B(46)2

INDOOR UNIT



WMMS-12EW-V2B(46)2
OUTDOOR UNIT



WMMS-24CH-V2B(46)2

ACCESSORIES

- THERMOSTAT
- MOUNTING BRACKETS
- FOOT RISERS
- COPPER/WIRE/ACC.SET
- LINESET COVERS
- WINTER WIND BAFFLE
- BRIDGE CONTROLLER

| | | | |
|---|------|-------------------------|--|
| System Model Number | | WMMS-2x12K-V2B(46)2 | |
| Connection Pipes | | | |
| Liquid side + Gas side | Inch | (1/4+3/8") / (1/4+3/8") | |
| Max. length | Ft. | 75 | |
| Max. difference in level | Ft. | 35 | |
| Dimensions & Weight Indoor Unit | | | |
| Dimension (W x D x H) | Inch | 31" x 11" x 8" | |
| Packing (W x D x H) | Inch | 38" x 14" x 12" | |
| Net/Gross Weight | lbs. | 22/26 | |
| Dimensions & Weight Outdoor Unit | | | |
| Dimension (W x D x H) | Inch | 34.33"x12.28"x27.59" | |
| Packing (W x D x H) | Inch | 39" x 16" x 31" | |
| Net/Gross Weight | lbs. | 106/112 | |

| | | | |
|-----------------------|--|------------------------|--|
| Job Name: | | Tag #: | |
| Location | | Date: | |
| General Contractor: | | Mechanical Contractor: | |
| Sales Representative: | | Sales Engineer: | |
| Submitted by: | | Drawing #: | |
| Reference | | PO #: | |

YMGI's ductless CHOIR dual zone mini split wall mounted unit uses 2 of the most popular style evaporators, and offers a quiet and efficient heating and cooling solution or any two room application. The CHOIR 46 has a simplified display that shows mode and temperature, and a motorized louver system that evenly distributes air throughout the room. The CHOIR 46's ODU is designed for ground installation, or can be mounted onto a wall, under a deck or on a balcony.

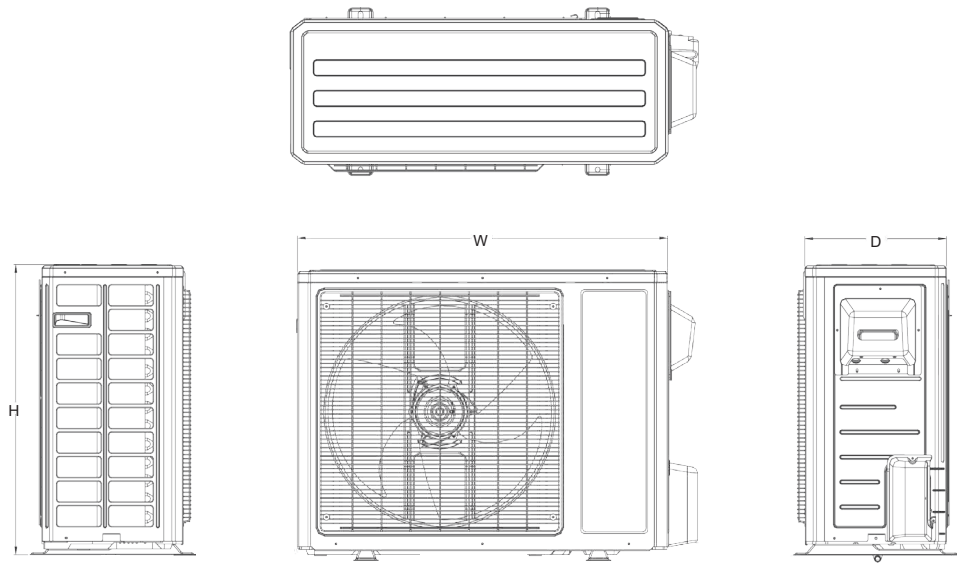
| | | | |
|---|-------------------------------|----------------|-----------------------------------|
| System | | | WMMS-2x12K-V2B(46)2 |
| Indoor Unit | | 2 units | WMMS-12EW-V2B(46)2 |
| Outdoor Unit | | 1 unit | WMMS-24CH-V2B(46)2 |
| Power supply | V/Ph/Hz | 208-230/1/60 | |
| Cooling | Nominal Capacity | Btu/h | 2 x 12,000 |
| | Input | W | 2750 |
| | Rated current | Amp. | 12.0 |
| | EER | Btu/h.w | 8.8 |
| | SEER | Btu/h.w | 15.0 |
| Heating | Nominal Capacity | Btu/h | 2 x 13,000 |
| | Input | W | 3350 |
| | Rated current | A | 14.5 |
| | COP | W/W | 2.6 |
| | HSPF | Btu/h.w | 8.2 |
| Minimum Circuit Amperage | | Amp. | 25 |
| Maximum HVAC Type Circuit Breaker | | Amp. | 30 |
| Compressor | Model | | ATL232SDNC9AU |
| | Type | | Rotary |
| | Brand | | HIGHLY |
| | Nominal Capacity | Btu/h | 22297 |
| | Input | W | 2075 |
| | Rated current(RLA) | Amp. | 10.7 |
| | Locked rotor Amp(LRA) | Amp. | — |
| | Thermal protector | | — |
| | Thermal protector position | | EXTERNAL |
| | Refrigerant oil/oil charge | m | a68HES-H or equivalent / 880±20ml |
| Indoor fan motor | Model | | YDK-16-4 C9 |
| | Brand | | CG |
| | Input | W | 40 |
| | RLA | Amp. | 0.18 |
| | LRA | Amp. | 0.20 |
| | Winding Resistance | Ω | 363.1/374.2 |
| | Capacitor | uF | 1 |
| Indoor air flow (Hi/Mi/Lo) | | | 1300 1050 950 |
| | Indoor noise level (Hi/Mi/Lo) | CFM | 353 312 258 |
| Outdoor fan motor | | dB(A) | 42 / 37 / 31 |
| | Model | | MDR-9538-901P |
| | Brand | | XINNONG |
| | Input | W | 70 |
| | RLA | Amp. | / |
| | LRA | Amp. | / |
| | Winding Resistance | Ω | / |
| | Capacitor | uF | / |
| | Speed | RPM | 850 |
| | Outdoor air flow | CFM | 1940 |
| Outdoor noise level | dB(A) | 62 | |
| R410A Refrigerant charge | Oz. | 67.04 | |
| Refrigerant precharge maximum pipe length | Ft. | 2 x 25 | |
| Additional charge for each ft. above 25 ft. | Oz | 0.23 | |
| Design pressure | PSIG | 510/250 | |
| Connection wires between IDU an ODU | If <50 Ft. | 4x18AWG | |
| Thermostat type | | Remote Control | |
| Operating Temp. Ranges | Indoor(cooling/ heating) | °F | 61°~90° |
| | Outdoor(cooling/heating) | °F | 64°F~115°F / -4°F~-60°F |
| Application area (cooling standard) | Sq. ft. | (172~300) x 2 | |



Submittal Data Sheet: WMMS-2x12K-V2B(46)2

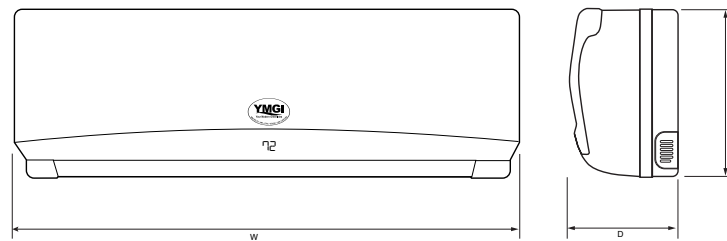
OUTDOOR UNIT

| Dimensions (inches) | |
|---------------------|--------|
| W | 34.33" |
| H | 27.59" |
| D | 12.28" |

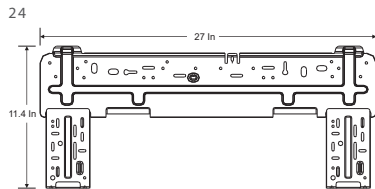


INDOOR UNIT

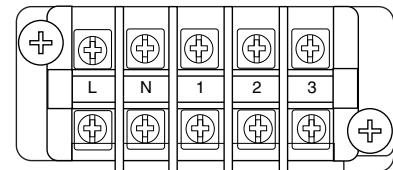
| Dimensions (inches) | |
|---------------------|-----|
| W | 31" |
| H | 11" |
| D | 8" |



MOUNTING PLATE



TERMINAL BLOCK



208-230/1/60

FEATURES

- 208-230/1/60 power input
- Quiet and efficient heating & cooling.
- LED display shows set temperature & operating modes.
- Motorized louver system quietly distributes air evenly
- Remote Control.
- DC Inverter technology
- Wide working ambient temperature ranges
- Stylish design
- Compact outdoor unit with side discharge
- Outdoor unit ships pre-charged.
- World-class quality compressors
- Durable powder coated cabinet
- Default flare brass connection valves
- Knock-outs for refrigerant pipes and wiring
- Built to ETL/UL/CSA/ARI standards
- Easy installation and maintenance

YMGI Group
 601 Arrow Ln, O'Fallon, Missouri 63366
 Phone: 1-866-833-3138
 Fax: 1-866-377-3355
 ymgigroup.com

Sales Representative or Distributor: