



Submittal Data Sheet: VRFO-96VP-S2C(55)5

OUTDOOR UNIT



Solar PV Assisted Ultra Heating
Heat Pump -22 °F



VRFO-96VP-S2C(55)5

ACCESSORIES

- COPPER/WIRE/ACC.SET
- LINESET COVERS
- SOLAR PANELS
- PANEL RACKING SYSTEMS
- WIND BAFFLE
- DISCHARGE HOOD

Connection Pipes		
Outer Diameter Gas Pipe	inches	7/8
Outer Diameter Liquid Pipe	inches	3/8
Modular		up to 3
Max. Equivalent Connection Pipe Length	ft.	541.25
Max. Height ODU at upper side	ft.	164
Max. Height ODU at lower side	ft.	295.25

Dimensions & Weight Outdoor Unit		
Dimensions of Unit (W x H x D)	inches	52 3/4 x 63 1/4 x 30 1/8
Net Weight	lbs	749

Job Name:		Tag #:	
Location		Date:	
General Contractor:		Mechanical Contractor:	
Sales Representative:		Sales Engineer:	
Submitted by:		Drawing #:	
Reference		PO #:	

A VRF System POWERED BY THE SUN

YMGI's Solar Series VRF systems are designed to be the most efficient heating and cooling systems on the market today. Available with Photo Voltaic Solar Panel Arrays from 5-25 panels, YMGI's Solar Series systems will save you money, and are the most efficient, environmentally friendly way to heat and cool.

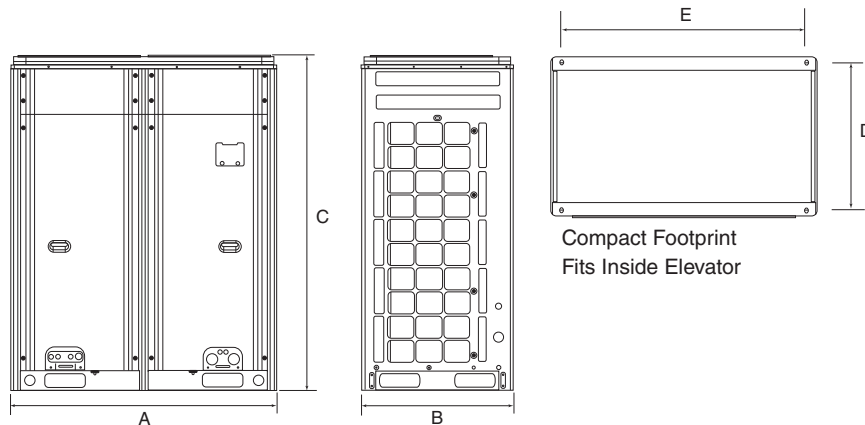
Model	Unit	VRFO-96VP-S2C(55)5
Cooling Capacity	Btu/h	96,000
Heating Capacity	Btu/h	108,000
Heating Capacities at Different OD Ambient Temperatures	47 ° F	100% / 108,000
	17 ° F	100% / 108,000
	-4 ° F	100% / 108,000
	-22 ° F	80% / 86,400
EER Ducted / Mixed / Non-Ducted		11.20 / 12.20 / 13.20
IEER Ducted / Mixed / Non-Ducted		20.00 / 22.50 / 25.00
COP 47 Ducted / Mixed / Non-Ducted		3.30 / 3.65 / 4.00
COP 17 Ducted / Mixed / Non-Ducted		2.25 / 2.33 / 2.40
Air flow volume	CFM	8240
ESP Power	WC	0.33"
Sound Pressure/ Power Level	dB	61/71
Power Supply	V/Ø/Hz	208~230/3/60
MCA	A	45
MOP / HVAC Circuit Breaker	A	70
Connection Method	-	Brazing 3/8+7/8"
R410A Refrigerant Factory Charge	oz	398
Compressor Manufacturer	-	Hitachi
Compressor Type	-	Inverter Scroll Hermetic
Compressor Quantity	No.	2
Motor Type	-	Permanent Magnet Synchronous Motor
Fan Quantity / Type	-	2 / Axial
Capacity Adjustment Range	%~%	12%~120%
Maximum No. of IDU	units	23
IDU Capacity Total	% ODU	50-150% zoning
Condenser Fin Color	-	Gold
Cooling Operation Ambient Temp. Range	° F	23° ~ 126°
Heating Operation Ambient Temp. Range	° F	-22° ~75°
Low Ambient Cooling Function		YES
Maximum Number of Solar Panels @ 300W	Pcs	32



Submittal Data Sheet: VRFO-96VP-S2C(55)5

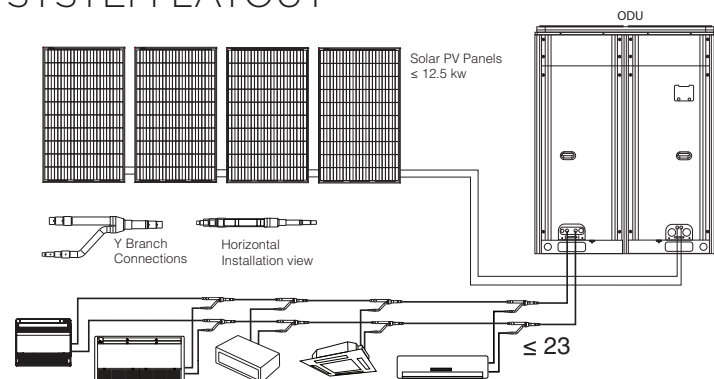
OUTDOOR UNIT

Dimensions	
	inches
A	52 3/4"
B	30 1/8"
C	63 1/4"
D	28 7/8"
E	47 1/2"

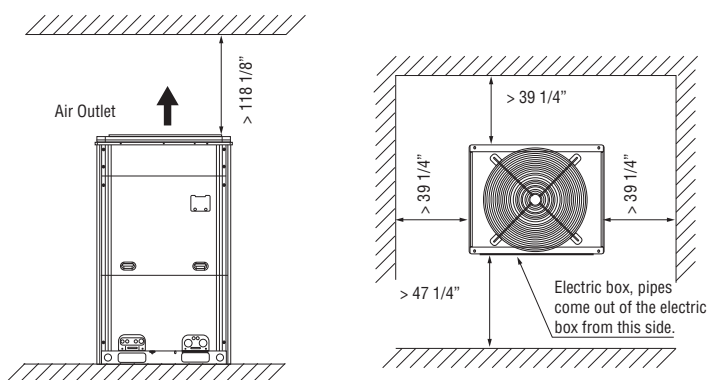


Compact Footprint
Fits Inside Elevator

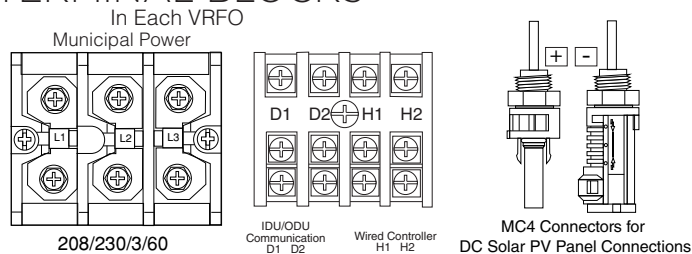
SYSTEM LAYOUT



CLEARANCES



TERMINAL BLOCKS



Modular VRF Systems		
Allowable value		
	m	f
Total length (actual length) of fitting pipe	≤1000	3280-3/4
Length of farthest fitting pipe	Actual length	≤165
	Equivalent length	≤190
From the 1st branch to the farthest indoor pipe	≤40	131 1/4
Height difference between ODU and IDU	ODU at upper side	≤40
	ODU at lower side	≤90
Height difference between IDUs	≤30	98 1/2

FEATURES

- 208-230/3/60 power input + Solar PV/Battery Bank DC
- Heats at 80% capacity down to -22 °F, cools down to 23 °F.
- Quiet and efficient heating & cooling.
- DC Inverter technology and auto AC/DC power management.
- Compact footprint with side discharge
- ODU ships pre-charged with environmentally friendly R410A refrigerant.

- Solar panels can be wired directly to unit
- All DC Inverter high quality compressors
- Sensorless DC fan motor
- Durable powder coated cabinet
- Brazed refrigerant line connections
- Built to ETL/UL/CSA/AHRI standards
- Easy installation and maintenance

YMGI Group

601 Arrow Ln, O'Fallon, Missouri 63366
 Phone: 1-866-833-3138
 Fax: 1-866-377-3355
 ymgigroup.com

Sales Representative or Distributor: