



**Submittal Data Sheet: VRFO-240VR-V3C(55)5 ( 2 xVRFO-120VR-V3C(55)5 )**

**OUTDOOR UNIT**  
**Heat Recovery**  
Heat and Cool Simultaneously



**VRFO-240VR-V3C(55)5**  
2 x VRFO-120VR-V3C(55)5

**ACCESSORIES**

- COPPER/WIRE/ACC.SET
- LINESET COVERS
- WIND BAFFLE / HAIL GUARD
- DISCHARGE AIR HOOD

Connection Pipes		
Outer Diameter Liquid Pipe	in.	2 x Ø 1/2
Outer Diameter Gas Pipe Low Pressure	in.	2 x Ø 1 1/8
Outer Diameter Gas Pipe High Pressure	in.	2 x Ø 7/8
Modules		2
Max. Equivalent Connection Pipe Length	ft.	541.25
Max. Height ODU at upper side	ft.	164
Max. Height ODU at lower side	ft.	295.25
Dimensions & Weight Outdoor Unit		
Dimensions of Unit (W x H x D)	in.	2 - 52 3/4 x 63 1/4 x 30 1/8
Net Weight	lbs	2 x 831

Job Name:		Tag #:	
Location		Date:	
General Contractor:		Mechanical Contractor:	
Sales Representative:		Sales Engineer:	
Submitted by:		Drawing #:	
Reference		PO #:	

**A VRF SYSTEM THAT IS EFFICIENT AND FLEXIBLE**

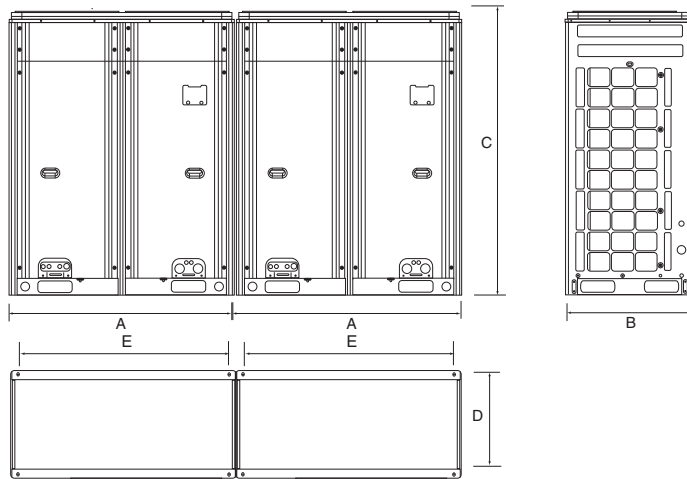
YMGI's Heat Recovery VRF systems are designed to deliver comfort year round. With YMGI's Heat Recovery VRF System, you can use the same system to simultaneously heat and cool multiple rooms. Replace traditionally designed gas furnace and AC/HP coil & outdoor unit systems. YMGI Heat Recovery VRF systems save money on installation and operation.

Model	Unit	VRFO-240VR-V3C(55)5
Capacity Range	Ton	20
Cooling Capacity	Btu/h	2 x 112,000 = 224,000
Heating Capacity	Btu/h	2 x 120,000 = 240,000
Air flow volume	CFM	2 x 8240
ESP	WC	2 x 0.33"
EER	Ducted	10.60
	Non-Ducted	11.00
IEER	Ducted	20.00
	Non-Ducted	20.00
SCHE	Ducted	21.00
	Non-Ducted	26.00
COP47	Ducted	3.20
	Non-Ducted	3.20
COP17	Ducted	2.05
	Non-Ducted	2.05
Power Supply	V/Ø/Hz	2 x 208~230/3/60
MCA	A	2 x 74
MOP/HVAC Circuit Breaker	A	2 x 100
Maximum No. if Connected IDU	-	2 x 20
R410A Refrigerant Factory Charge	lbs.	2 x 26.0
valves and connection method		2 x Brazing 1/2+1 1/8+7/8"
Sound Pressure / Power Level	dB(A)	63 / 73
Cooling Operation Ambient Temp. Range	° F	23° ~ 126°
Heating Operation Ambient Temp. Range	° F	-4° ~75°
Base Pan Heater	-	YES

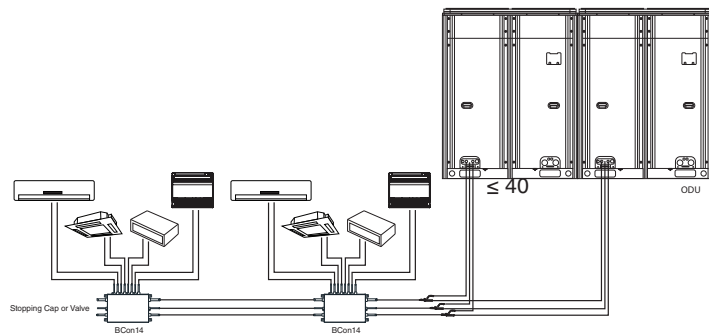


OUTDOOR UNIT

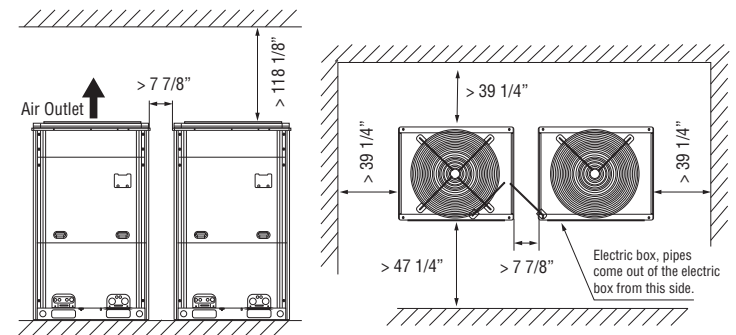
Dimensions (inches)	
	inches
A	52 3/4"
B	30 1/8"
C	63 1/4"
D	28 3/4"
E	39 1/4"



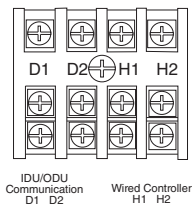
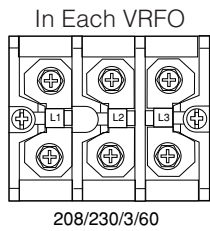
SYSTEM LAYOUT



CLEARANCES



TERMINAL BLOCKS



FEATURES

- 208-230/3/60 power input
- Quiet and efficient heating & cooling.
- Wide working ambient temperature ranges
- Compact footprint fits inside an elevator
- Compact outdoor unit with top discharge
- ODU ships pre-charged with environmentally friendly R410A refrigerant.
- DC Inverter technology
- All DC Inverter high quality compressors
- Sensorless DC Inverter fan motor
- Durable powder coated cabinet
- Brazed refrigerant line connections
- Built to ETL/UL/CSA/AHRI standards
- Easy installation and maintenance

**YMGI Group**  
601 Arrow Ln, O'Fallon, Missouri 63366  
Phone: 1-866-833-3138  
Fax: 1-866-377-3355  
ymgigroup.com

Sales Representative or Distributor: