



**Submittal Data Sheet: VRFO-168VP-V2C(55)5
(1 x VRFO-96VP-V2C(55)5 + 1 x VRFO-72VP-V2C(55)5)**

OUTDOOR UNIT

Standard VRF
Heat Pump -4 °F



VRFO-168HP-V2C(55)5
1 x VRFO-96VP-V2C(55)5 + 1 VRFO-72VP-V2C(55)5

ACCESSORIES

- COPPER/WIRE/ACC.SET
- LINESET COVERS
- WIND BAFFLE
- DISCHARGE HOOD

Connection Pipes		
Outer Diameter GasPipe	inches	1 1/8
Outer Diameter Liquid Pipe	inches	5/8
Modular		2
Max. Equivalent Connection Pipe Length	ft.	541.25
Max. Height ODU at upper side	ft.	164
Max. Height ODU at lower side	ft.	295.25

Dimensions & Weight Outdoor Unit		
Dimensions of Unit (W x H x D)	inches	36 5/8 x 63 1/4 x 30 1/8 52 3/4 x 63 1/4 x 30 1/8
Net Weight	lbs	1 x 496, 1 x 793

Job Name:		Tag #:	
Location		Date:	
General Contractor:		Mechanical Contractor:	
Sales Representative:		Sales Engineer:	
Submitted by:		Drawing #:	
Reference		PO #:	

A FLEXIBLE AND AFFORDABLE VRF SYSTEM

YMGI's VRF Heat Pump systems are designed to deliver comfort year round. Effective in a wide range of outdoor ambient temperatures (as low as -4° F), the YMGI VRF Heat Pump systems can meet all your heating and cooling needs, with no need for a supplemental heating system. A YMGI VRF system can replace traditionally designed gas furnace and AC/HP coil & outdoor unit systems. VRF Heat Pump systems save money on installation and operation.

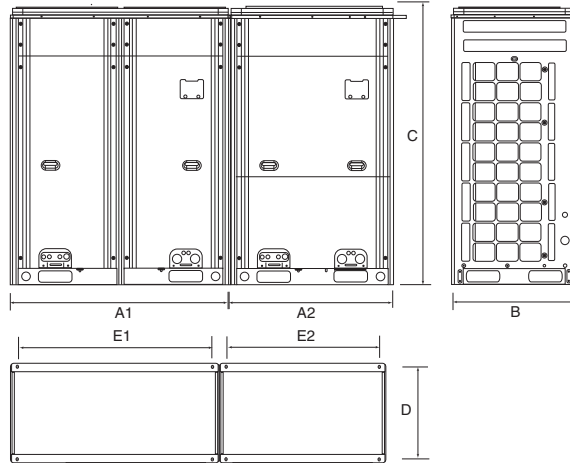
Model	Unit	VRFO-168VP-V2C(55)5
Cooling Capacity	Btu/h	1 x 69,000 + 1 x 91,000=160,000
Heating Capacity	Btu/h	1 x 77,000 + 1 x 99,000=176,000
Air flow volume	CFM	1 x 6700, 1 x 8240
ESP	WC	2 x 0.33"
Heating Capacities at Different OD Ambient Temperatures	47 ° F	100% / 1 x 81,000 +1 x 99,000
	17 ° F	100% / 1 x 81,000 +1 x 99,000
	-4 ° F	100% / 1 x 81,000 +1 x 99,000
	-22 ° F	80% / 1 x 64,800 +1 x 79,200
EER Ducted / Non-Ducted		10.90 / 12.00
IEER Ducted / Non-Ducted		21.50 / 24.50
COP 47 Ducted / Non-Ducted		3.33 / 3.86
COP 17 Ducted / Non-Ducted		2.28 / 2.43
Sound Pressure/ Power Level	dB	61/72
Power Supply	V/Ø/Hz	2 x 208~230/3/60
MCA	A	2 x 45
MOP/HVAC Circuit Breaker	A	2 x 70
Connection Method and Valve Sizes	-	Brazing 5/8+1 1/8"
R410A Refrigerant Factory Charge	oz	1 x 236, 1 x 345
Compressor Manufacturer	-	Hitachi
Compressor Type	-	Inverter Scroll Hermetic
Compressor Quantity	No.	2 x 2
Motor Type	-	Permanent Magnet Synchronous Motor
Fan Quantity/Type	-	2 x Axial + 1 Axial
Capacity Adjustment Range	%~%	12%~120%
Maximum No. of drive IDU	units	1 x 16 + 1 x 23
IDU Capacity Total	% ODU	50-150% zoning
Condenser Fin Color	-	Gold
Cooling Operation Ambient Temperature Range	° F	23° ~ 126°
Heating Operation Ambient Temperature Range	° F	-4° ~75°
Base Pan Heater	-	YES



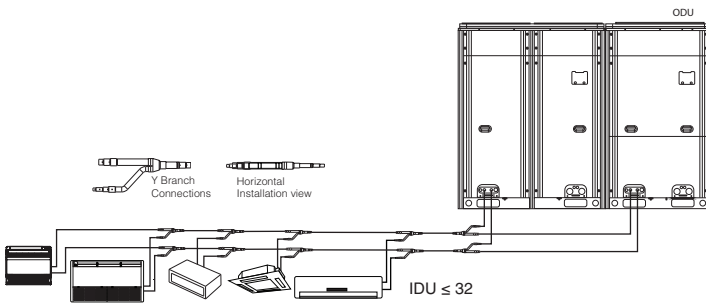
Submittal Data Sheet: VRFO-168VP-V2C(55)5 (1 x VRFO-96VP-V2C(55)5 + 1 x VRFO-72VP-V2C(55)5)

OUTDOOR UNIT

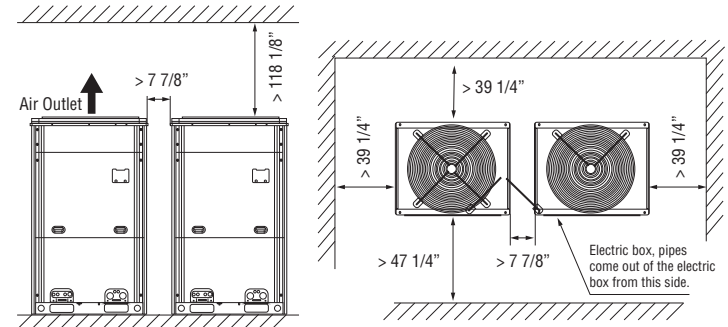
Dimensions	
	inches
A1	52 3/4"
A2	36 5/8"
B	30 1/8"
C	63 1/4"
D	28 3/4"
E1	39 1/4"
E2	31 1/8"



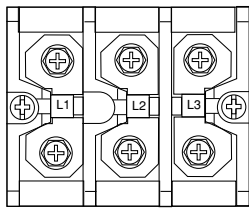
SYSTEM LAYOUT



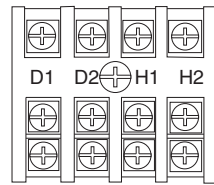
CLEARANCES



TERMINAL BLOCKS In Each VRFO



208/230/3/60



IDU/ODU Communication D1 D2
Wired Controller H1 H2

		Modular VRF Systems	
		Allowable value	
		m	f
Total length (actual length) of fitting pipe		≤1000	3280-3/4
Length of farthest fitting pipe	Actual length	≤165	541 1/4
	Equivalent length	≤190	623 1/4
From the 1st branch to the farthest indoor pipe		≤40	131 1/4
Height difference between ODU and IDU	ODU at upper side	≤40	131 1/4
	ODU at lower side	≤90	295 1/4
Height difference between IDUs		≤30	98 1/2

FEATURES

- 208-230/3/60 power input
- Heats at 80% capacity down to -4° F
- Quiet and efficient heating & cooling.
- Compact outdoor unit with top discharge
- ODU ships pre-charged with environmentally friendly R410A refrigerant.
- DC Inverter technology
- All DC Inverter high quality compressors
- Sensorless DC fan motor
- Durable powder coated cabinet
- Brazed refrigerant line connections
- Built to ETL/UL/CSA/AHRI standards
- Easy installation and maintenance

YMG I Group

601 Arrow Ln, O'Fallon, Missouri 63366
Phone: 1-866-833-3138
Fax: 1-866-377-3355
ymgigroup.com

Sales Representative or Distributor: