



## Submittal Data Sheet: VRFO-120VP-V2C(55)5

### OUTDOOR UNIT

VRF Heat Pump



**VRFO-120VP-V2C(55)5**

### ACCESSORIES

- COPPER/WIRE/ACC.SET
- LINESET COVERS
- WIND BAFFLE
- DISCHARGE HOOD

Connection Pipes		
Outer Diameter GasPipe	inches	1 1/8
Outer Diameter Liquid Pipe	inches	1/2
Modular		up to 3
Max. Equivalent Connection Pipe Length	ft.	541.25
Max. Height ODU at upper side	ft.	164
Max. Height ODU at lower side	ft.	295.25

Dimensions & Weight Outdoor Unit		
Dimensions of Unit (W x H x D)	inches	52 3/4 x 63 1/4 x 30 1/8
Net Weight	lbs	793

Job Name:		Tag #:	
Location		Date:	
General Contractor:		Mechanical Contractor:	
Sales Representative:		Sales Engineer:	
Submitted by:		Drawing #:	
Reference		PO #:	

#### A FLEXIBLE AND AFFORDABLE VRF SYSTEM

YMGI's VRF Heat Pump systems are designed to deliver comfort year round. Effective in a wide range of outdoor ambient temperatures (as low as -4° F), the YMGI VRF Heat Pump systems can meet all your heating and cooling needs, with no need for a supplemental heating system. A YMGI VRF system can replace traditionally designed gas furnace and AC/HP coil & outdoor unit systems. VRF Heat Pump systems save money on installation and operation.

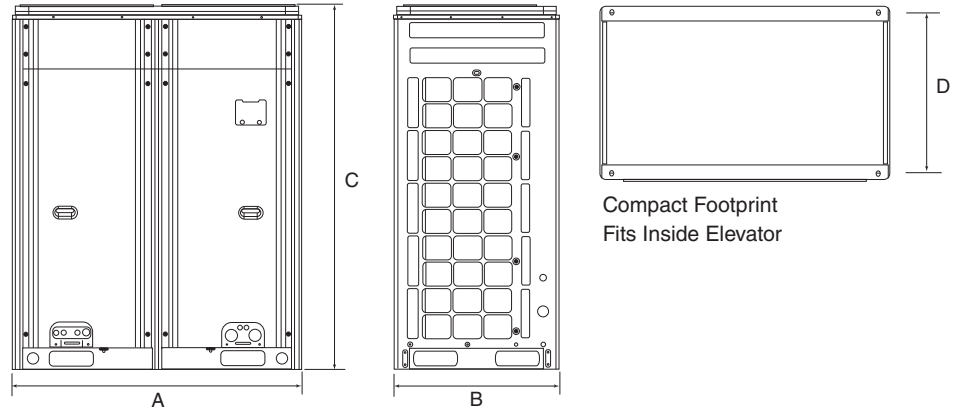
Model	Unit	VRFO-120VP-V2C(55)5
Cooling Capacity	Btu/h	114,000
Heating Capacity	Btu/h	129,000
Air flow volume	CFM	8240
ESP	WC	0.33"
Heating Capacities at Different OD Ambient Temperatures	47 ° F	100% / 129,000
	17 ° F	100% / 129,000
	-4 ° F	100% / 108,000
EER Ducted / Mixed / Non-Ducted		11.20 / 12.20 / 13.20
IEER Ducted / Mixed / Non-Ducted		20.00 / 23.30 / 26.60
COP 47 Ducted / Mixed / Non-Ducted		3.40 / 3.78 / 4.15
COP 17 Ducted / Mixed / Non-Ducted		2.38 / 2.44 / 2.50
Sound Pressure/ Power Level	dB	61/72
Power Supply	V/Ø/Hz	208~230/3/60
MCA	A	45
MOP/HVAC Circuit Breaker	A	70
Connection Method and Valve Sizes	-	Brazing 1/2+1 1/8"
R410A Refrigerant Factory Charge	oz	345
Compressor Manufacturer	-	Hitachi
Compressor Type	-	Inverter Scroll Hermetic
Compressor Quantity	No.	2
Motor Type	-	Permanent Magnet Synchronous Motor
Fan Quantity/Type	-	2 Axial
Capacity Adjustment Range	%~%	12%~120%
Maximum No. of drive IDU	units	23
IDU Capacity Total	% ODU	50-150% zoning
Condenser Fin Color	-	Gold
Cooling Operation Ambient Temperature Range	° F	23° ~ 126°
Heating Operation Ambient Temperature Range	° F	-4° ~75°
Base Pan Heater	-	YES



# Submittal Data Sheet: VRFO-120VP-V2C(55)5

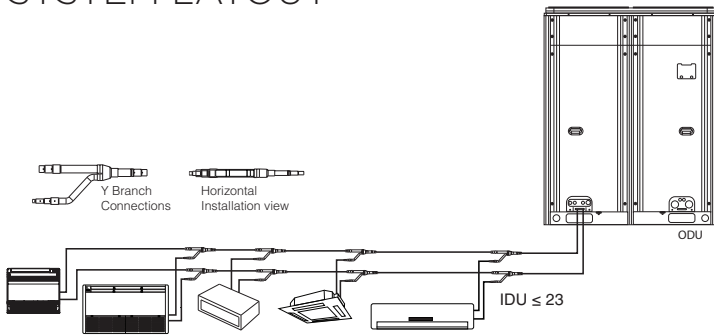
## OUTDOOR UNIT

Dimensions	
	inches
A	52 3/4"
B	30 1/8"
C	63 1/4"
D	28 7/8"
E	47 1/2"

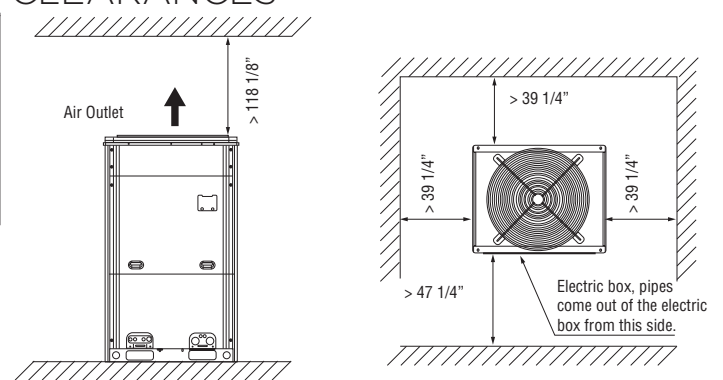


Compact Footprint  
Fits Inside Elevator

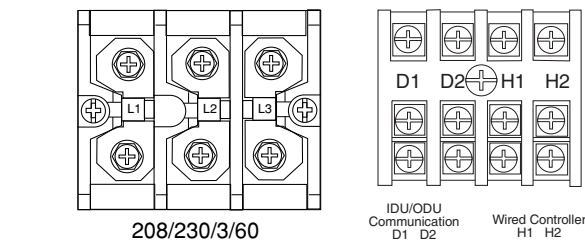
## SYSTEM LAYOUT



## CLEARANCES



## TERMINAL BLOCKS



		Modular VRF Systems	
		Allowable value	
		m	f
<b>Total length (actual length) of fitting pipe</b>		≤1000	3280-3/4
Length of farthest fitting pipe	Actual length	≤165	541 1/4
	Equivalent length	≤190	623 1/4
From the 1st branch to the farthest indoor pipe		≤40	131 1/4
Height difference between ODU and IDU	ODU at upper side	≤40	131 1/4
	ODU at lower side	≤90	295 1/4
Height difference between IDUs		≤30	98 1/2

## FEATURES

- 208-230/3/60 power input
- Heats at 80% capacity down to -4° F
- Quiet and efficient heating & cooling.
- Compact outdoor unit with top discharge
- ODU ships pre-charged with environmentally friendly R410A refrigerant.

- DC Inverter technology
- All DC Inverter high quality compressors
- Sensorless DC fan motor
- Durable powder coated cabinet
- Brazed refrigerant line connections
- Built to ETL/UL/CSA/AHRI standards
- Easy installation and maintenance

## YMGI Group

601 Arrow Ln, O'Fallon, Missouri 63366  
 Phone: 1-866-833-3138  
 Fax: 1-866-377-3355  
 ymgigroup.com

Sales Representative or Distributor: