



**Submittal Data Sheet: VRFO-72VP-V2C(55)5**

**OUTDOOR UNIT**

VRF Heat Pump



**VRFO-72VP-V2C(55)5**

**ACCESSORIES**

- COPPER/WIRE/ACC.SET
- LINESET COVERS
- WIND BAFFLE
- DISCHARGE HOOD

| Connection Pipes                       |        |         |
|--|--------|---------|
| Outer Diameter Gas Pipe                | inches | 3/4     |
| Outer Diameter Liquid Pipe             | inches | 3/8     |
| Modular                                |        | up to 3 |
| Max. Equivalent Connection Pipe Length | ft.    | 540     |
| Max. Height ODU at upper side          | ft.    | 164     |
| Max. Height ODU at lower side          | ft.    | 295.25  |

| Dimensions & Weight Outdoor Unit |        |                          |
|----------------------------------|--------|--------------------------|
| Dimensions of Unit (W x H x D)   | inches | 36 5/8 x 63 1/4 x 30 1/8 |
| Net Weight                       | lbs    | 496                      |

|                       |  |                        |  |
|-----------------------|--|------------------------|--|
| Job Name:             |  | Tag #:                 |  |
| Location              |  | Date:                  |  |
| General Contractor:   |  | Mechanical Contractor: |  |
| Sales Representative: |  | Sales Engineer:        |  |
| Submitted by:         |  | Drawing #:             |  |
| Reference             |  | PO #:                  |  |

**A FLEXIBLE AND AFFORDABLE VRF SYSTEM**

YMGI's VRF Heat Pump systems are designed to deliver comfort year round. Effective in a wide range of outdoor ambient temperatures (as low as -4° F), the YMGI VRF Heat Pump systems can meet all your heating and cooling needs, with no need for a supplemental heating system. A YMGI VRF system can replace traditionally designed gas furnace and AC/HP coil & outdoor unit systems. VRF Heat Pump systems save money on installation and operation.

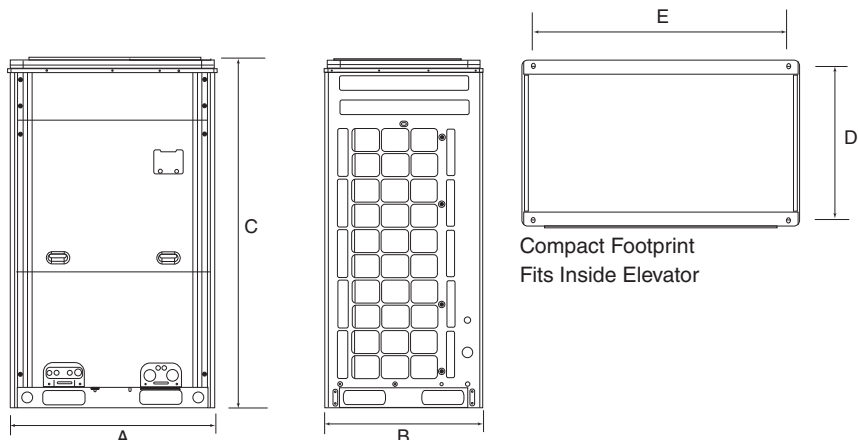
| Model   | Unit   | VRFO-72VP-V2C(55)5                 |
|---|--------|------------------------------------|
| Cooling Capacity  | Btu/h  | 69,000                             |
| Heating Capacity  | Btu/h  | 77,000                             |
| Air flow volume   | CFM    | 6700                               |
| ESP   | WC     | 0.33"                              |
| Heating Capacities at Different OD Ambient Temperatures | 47 ° F | 100% /81,000                       |
|   | 17 ° F | 100% / 81,000                      |
|   | -4 ° F | 100% / 81,000                      |
| EER Ducted / Mixed / Non-Ducted                         |        | 11.10 / 12.40 / 13.70              |
| IEER Ducted / Mixed / Non-Ducted                        |        | 21.50 / 24.80 / 28.10              |
| COP 47 Ducted / Mixed / Non-Ducted                      |        | 3.40 / 3.81 / 4.22                 |
| COP 17 Ducted / Mixed / Non-Ducted                      |        | 2.40 / 2.46 / 2.51                 |
| Sound Pressure/ Power Level                             | dB     | 61/71                              |
| Power Supply  | V/Ø/Hz | 208~230/3/60                       |
| MCA   | A      | 40                                 |
| MOP/HVAC Circuit Breaker                                | A      | 60                                 |
| Connection Method and Valve Sizes                       | -      | Brazing 3/8+3/4"                   |
| R410A Refrigerant Factory Charge                        | oz     | 236                                |
| Compressor Manufacturer                                 | -      | Hitachi                            |
| Compressor Type   | -      | Inverter Scroll Hermetic           |
| Compressor Quantity                                     | No.    | 1                                  |
| Motor Type  | -      | Permanent Magnet Synchronous Motor |
| Fan Quantity/Type                                       | -      | 1 Axial                            |
| Capacity Adjustment Range                               | %~%    | 12%~120%                           |
| Maximum No. of drive IDU                                | units  | 16                                 |
| IDU Capacity Total                                      | % ODU  | 50-150% zoning                     |
| Condenser Fin Color                                     | -      | Gold                               |
| Cooling Operation Ambient Temperature Range             | ° F    | 23° ~ 126°                         |
| Heating Operation Ambient Temperature Range             | ° F    | -4° ~75°                           |
| Base Pan Heater   | -      | YES                                |



# Submittal Data Sheet: VRFO-72VP-V2C(55)5

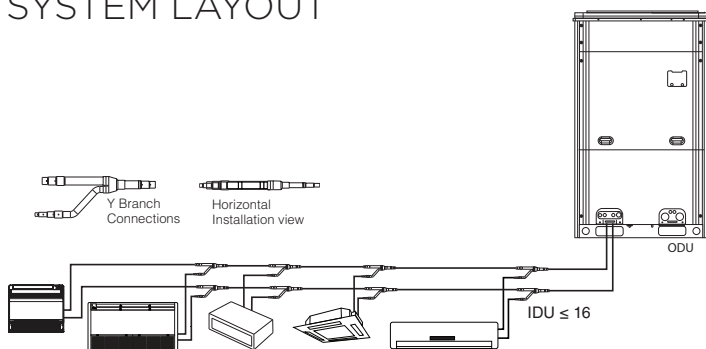
## OUTDOOR UNIT

| Dimensions |         |
|------------|---------|
|            | inches  |
| A          | 38 5/8" |
| B          | 30 1/8" |
| C          | 63 1/4" |
| D          | 28 3/4" |
| E          | 31 1/8" |

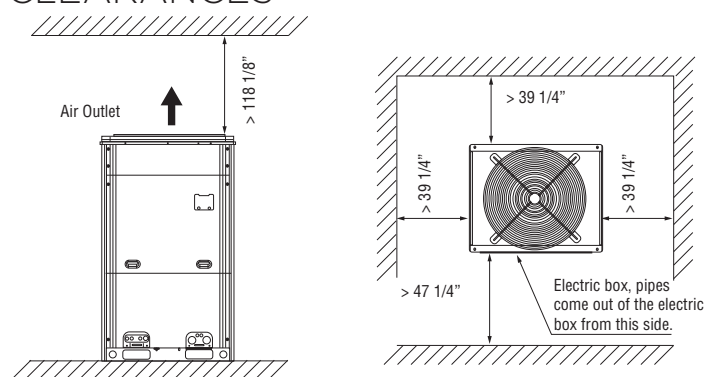


Compact Footprint  
Fits Inside Elevator

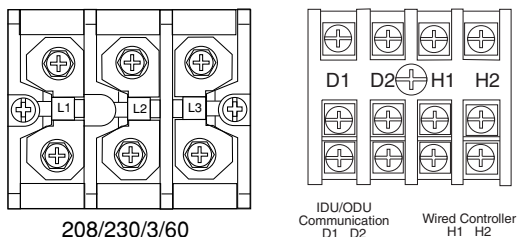
## SYSTEM LAYOUT



## CLEARANCES



## TERMINAL BLOCKS



| Total length (actual length) of fitting pipe    |                   |
|---|-------------------|
| Length of farthest fitting pipe                 | Actual length     |
|   | Equivalent length |
| From the 1st branch to the farthest indoor pipe |                   |
| Height difference between ODU and IDU           | ODU at upper side |
|   | ODU at lower side |
| Height difference between IDUs                  |                   |

| Modular VRF Systems                                       |       |          |
|---|-------|----------|
| Allowable value   |       |          |
|   | m     | f        |
| Length of farthest fitting pipe                           | ≤1000 | 3280-3/4 |
| Length of farthest fitting pipe (Actual length)           | ≤165  | 541 1/4  |
| Length of farthest fitting pipe (Equivalent length)       | ≤190  | 623 1/4  |
| From the 1st branch to the farthest indoor pipe           | ≤40   | 131 1/4  |
| Height difference between ODU and IDU (ODU at upper side) | ≤40   | 131 1/4  |
| Height difference between ODU and IDU (ODU at lower side) | ≤90   | 295 1/4  |
| Height difference between IDUs                            | ≤30   | 98 1/2   |

## FEATURES

- 208-230/3/60 power input
- Heats at 80% capacity down to -4° F
- Quiet and efficient heating & cooling.
- Wide working ambient temperature ranges
- Compact outdoor unit with top discharge
- ODU ships pre-charged with environmentally friendly R410A refrigerant.
- DC Inverter technology
- All DC Inverter high quality compressors
- Sensorless DC fan motor
- Durable powder coated cabinet
- Brazed refrigerant line connections
- Built to ETL/UL/CSA/AHRI standards
- Easy installation and maintenance

### YMGI Group

601 Arrow Ln, O'Fallon, Missouri 63366  
 Phone: 1-866-833-3138  
 Fax: 1-866-377-3355  
 ymgigroup.com

Sales Representative or Distributor: