



**Submittal Data Sheet: VRFO-216VP-V2D(55)5  
( 3 x VRFO-72VP-V2D(55)5 )**

**OUTDOOR UNIT**

Standard VRF  
Heat Pump -4 °F



**VRFO-216VP-V2D(55)5**  
3 x VRFO-72VP-V2D(55)5

**ACCESSORIES**

- COPPER/WIRE/ACC.SET
- LINESET COVERS
- WIND BAFFLE
- DISCHARGE HOOD

Connection Pipes		
Outer Diameter GasPipe	inches	1 x 7/8, 1 x 1 1/8
Outer Diameter Liquid Pipe	inches	1 x 3/8, 1 x 1/2
Modular		3
Max. Equivalent Connection Pipe Length	ft.	540
Max. Height ODU at upper side	ft.	164
Max. Height ODU at lower side	ft.	295.25

Dimensions & Weight Outdoor Units		
Dimensions of Unit (W x H x D)	inches	3 - 36 5/8 x 63 1/4 x 30 1/8
Net Weight	lbs	3 x 496

Job Name:		Tag #:	
Location		Date:	
General Contractor:		Mechanical Contractor:	
Sales Representative:		Sales Engineer:	
Submitted by:		Drawing #:	
Reference		PO #:	

**A VRF SYSTEM THAT STANDS ALONE**

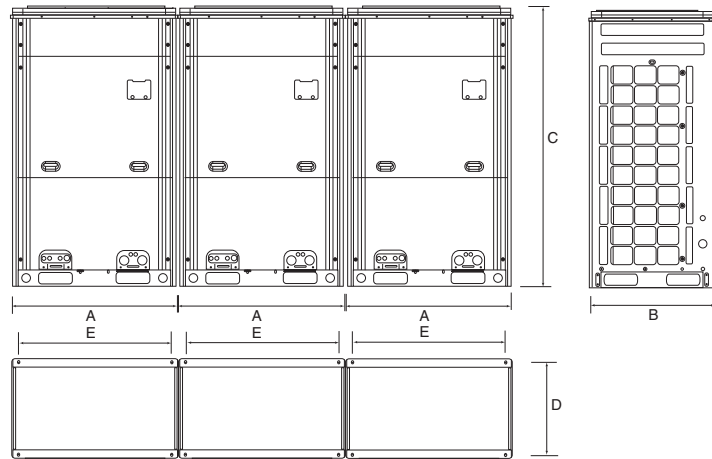
YMGI's UltraHeating VRF systems are designed to deliver comfort year round. Effective in a wide range of outdoor ambient temperatures (as low as -22° F), the YMGI UltraHeating VRF systems can meet all your heating and cooling needs, with no need for a supplemental heating system. A YMGI VRF system can replace traditionally designed gas furnace and AC/HP coil & outdoor unit systems., and save money on installation and operation.

Model	Unit	VRFO-216VP-V2D(55)5
Cooling Capacity	Btu/h	3 x 69,000 = 207,000
Heating Capacity	Btu/h	3 x 77,000 = 231,000
Air flow volume	CFM	3 x 6700
ESP	WC	3 x 0.33"
Heating Capacities at Different OD Ambient Temperatures	47 ° F	100% / 3 x 81,000
	17 ° F	100% / 3 x 81,000
	-4 ° F	100% / 3 x 81,000
	-22 ° F	80% / 3 x 64,800
EER Ducted / Non-Ducted		10.80 / 11.00
IEER Ducted / Non-Ducted		21.60 / 24.70
COP 47 Ducted / Non-Ducted		3.25 / 3.52
COP 17 Ducted / Non-Ducted		2.23 / 2.25
Sound Pressure/ Power Level	dB	61/71
Power Supply	V/Ø/Hz	3 x 440V-460/3/60
MCA	A	3 x 45
MOP/HVAC Circuit Breaker	A	3 x 70
Connection Method and Valve Sizes	-	Brazing (3/8+7/8") (1/2+1 1/8")
R410A Refrigerant Factory Charge	oz	3 x 236
Compressor Manufacturer	-	Hitachi
Compressor Type	-	Inverter Scroll Hermetic
Compressor Quantity	No.	3 x 1
Motor Type	-	Permanent Magnet Synchronous Motor
Fan Quantity/Type	-	3 x Axial
Capacity Adjustment Range	%~%	12%~120%
Maximum No. of drive IDU	units	3 x 16
IDU Capacity Total	% ODU	50-150% zoning
Condenser Fin Color	-	Gold
Cooling Operation Ambient Temperature Range	° F	23° ~ 126°
Heating Operation Ambient Temperature Range	° F	-4° ~75°
Base Pan Heater	-	YES

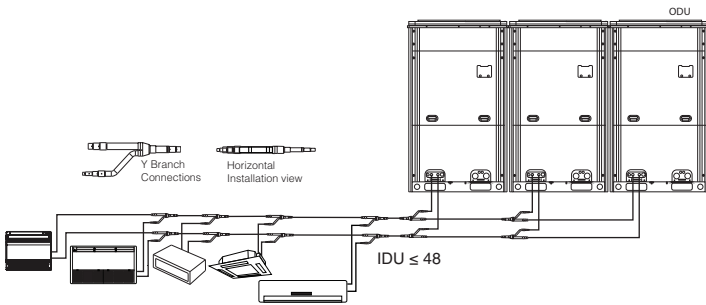


OUTDOOR UNIT

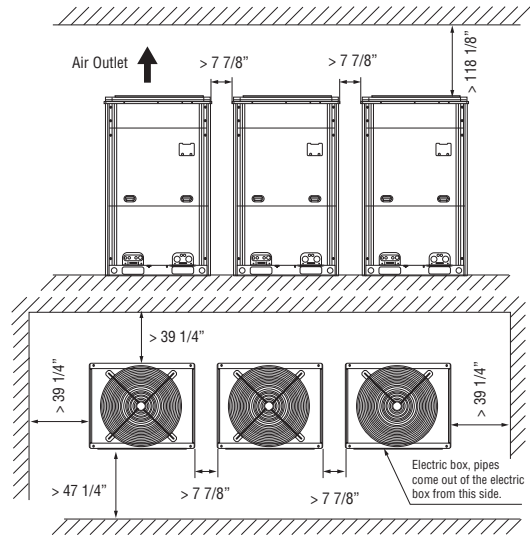
Dimensions	
	inches
A	52 3/4"
B	30 1/8"
C	63 1/4"
D	28 3/4"
E	39 1/4"



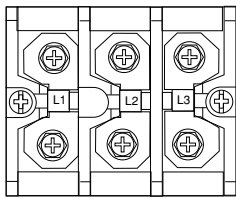
SYSTEM LAYOUT



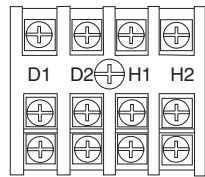
CLEARANCES



TERMINAL BLOCKS  
In Each VRFO



208/230/3/60



IDU/ODU Communication D1 D2  
Wired Controller H1 H2

		Modular VRF Systems	
		Allowable value	
		m	f
Total length (actual length) of fitting pipe		≤1000	3280-3/4
Length of farthest fitting pipe	Actual length	≤165	541 1/4
	Equivalent length	≤190	623 1/4
From the 1st branch to the farthest indoor pipe		≤40	131 1/4
Height difference between ODU and IDU	ODU at upper side	≤40	131 1/4
	ODU at lower side	≤90	295 1/4
Height difference between IDUs		≤30	98 1/2

FEATURES

- 208-230/3/60 power input
- Heats at 80% capacity down to -4° F
- Quiet and efficient heating & cooling.
- Compact outdoor unit with top discharge
- ODU ships pre-charged with environmentally friendly R410A refrigerant.

- DC Inverter technology
- All DC Inverter high quality compressors
- Sensorless DC fan motor
- Durable powder coated cabinet
- Brazed refrigerant line connections
- Built to ETL/UL/CSA/AHRI standards
- Easy installation and maintenance

YMGI Group

601 Arrow Ln, O'Fallon, Missouri 63366  
Phone: 1-866-833-3138  
Fax: 1-866-377-3355  
ymgigroup.com

Sales Representative or Distributor: