



**Submittal Data Sheet: VRFO-264VP-V2D(55)5
(2 x VRFO-96VP-V2D(55)5 + 1 x VRFO-72VP-V2D(55)5)**

OUTDOOR UNIT

Standard VRF
Heat Pump -4 °F



VRFO-264VP-V2B(55)5
2 x VRFO-96VP-V2D(55)5 + 1 VRFO-72VP-V2D(55)5

ACCESSORIES

- COPPER/WIRE/ACC.SET
- LINESET COVERS
- WIND BAFFLE
- DISCHARGE HOOD

Connection Pipes		
Outer Diameter GasPipe	inches	2 x 1 1/8
Outer Diameter Liquid Pipe	inches	2 x 1/2
Modular		3
Max. Equivalent Connection Pipe Length	ft.	540
Max. Height ODU at upper side	ft.	164
Max. Height ODU at lower side	ft.	295.25

Dimensions & Weight Outdoor Units		
Dimensions of Unit (W x H x D)	inches	1 - 36 5/8 x 63 1/4 x 30 1/8 2 - 52 3/4 x 63 1/4 x 30 1/8
Net Weight	lbs	1 x 496, 2 x 793

Job Name:		Tag #:	
Location		Date:	
General Contractor:		Mechanical Contractor:	
Sales Representative:		Sales Engineer:	
Submitted by:		Drawing #:	
Reference		PO #:	

A FLEXIBLE AND AFFORDABLE VRF SYSTEM

YMGI's VRF Heat Pump systems are designed to deliver comfort year round. Effective in a wide range of outdoor ambient temperatures (as low as -4° F), the YMGI VRF Heat Pump systems can meet all your heating and cooling needs, with no need for a supplemental heating system. A YMGI VRF system can replace traditionally designed gas furnace and AC/HP coil & outdoor unit systems. VRF Heat Pump systems save money on installation and operation.

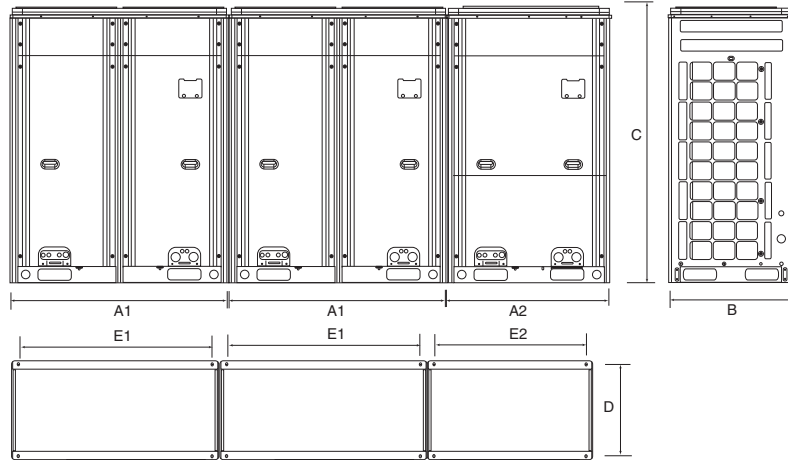
Model	Unit	VRFO-264VP-V2D(55)5
Cooling Capacity	Btu/h	1 x 69,000 + 2 x 91,000=251,000
Heating Capacity	Btu/h	1 x 77,000 + 2 x 103,000=283,000
Air flow volume	CFM	1 x 6700, 2 x 8240
ESP	WC	3 x 0.33"
Heating Capacities at Different OD Ambient Temperatures	47 ° F	100% / 1 x 81,000 + 2 x 108,000
	17 ° F	100% / 1 x 81,000 + 2 x 108,000
	-4 ° F	100% / 1 x 81,000 + 2 x 108,000
	-22 ° F	80% / 1 x 64,800 + 2 x 86,400
EER Ducted / Non-Ducted		10.50 / 10.50
IEER Ducted / Non-Ducted		20.50 / 20.50
COP 47 Ducted / Non-Ducted		3.30 / 3.35
COP 17 Ducted / Non-Ducted		2.20 / 2.20
Sound Pressure/ Power Level	dB	61/72
Power Supply	V/Ø/Hz	3 x 440V-460/3/60
MCA	A	3 x 45
MOP/HVAC Circuit Breaker	A	3 x 70
Connection Method and Valve Sizes	-	2xBrazing 1/2+1 1/8"
R410A Refrigerant Factory Charge	oz	1 x 236, 2 x 345
Compressor Manufacturer	-	Hitachi
Compressor Type	-	Inverter Scroll Hermetic
Compressor Quantity	No.	2 x 2 + 1 x 2
Motor Type	-	Permanent Magnet Synchronous Motor
Fan Quantity/Type	-	2 x Axial + 1 Axial
Capacity Adjustment Range	%~%	12%~120%
Maximum No. of drive IDU	units	1 x 16 + 2 x 23
IDU Capacity Total	% ODU	50-150% zoning
Condenser Fin Color	-	Gold
Cooling Operation Ambient Temperature Range	° F	23° ~ 126°
Heating Operation Ambient Temperature Range	° F	-4° ~75°
Base Pan Heater	-	YES



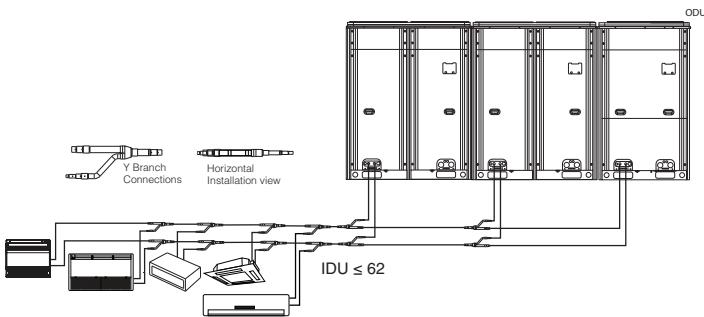
Submittal Data Sheet: VRFO-264VP-V2D(55)5 (2 x VRFO-96VP-V2D(55)5 + 1 x VRFO-72VP-V2D(55)5)

OUTDOOR UNIT

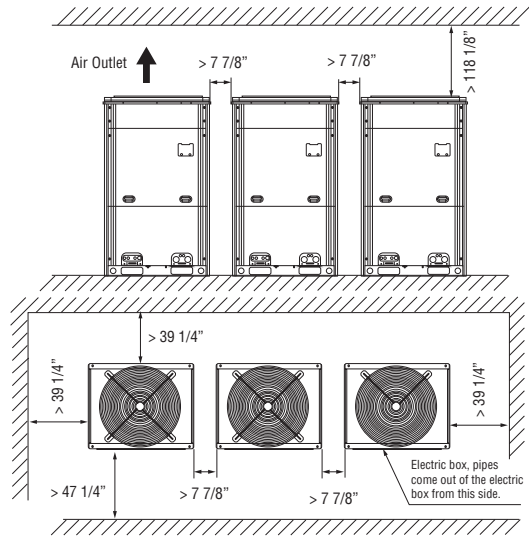
Dimensions	
	inches
A1	52 3/4"
A2	36 5/8"
B	30 1/8"
C	63 1/4"
D	28 3/4"
E1	39 1/4"
E2	31 1/8"



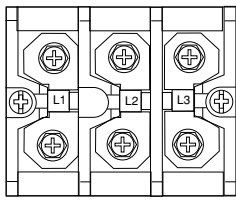
SYSTEM LAYOUT



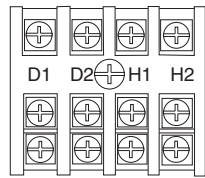
CLEARANCES



TERMINAL BLOCKS In Each VRFO



208/230/3/60



IDU/ODU Communication D1 D2
Wired Controller H1 H2

Total length (actual length) of fitting pipe	
Length of farthest fitting pipe	Actual length
	Equivalent length
From the 1st branch to the farthest indoor pipe	
Height difference between ODU and IDU	ODU at upper side
	ODU at lower side
Height difference between IDUs	

Modular VRF Systems		
Allowable value		
	m	f
	≤1000	3280-3/4
	≤165	541 1/4
	≤190	623 1/4
	≤40	131 1/4
	≤40	131 1/4
	≤90	295 1/4
	≤30	98 1/2

FEATURES

- 208-230/3/60 power input
- Heats at 80% capacity down to -4° F
- Quiet and efficient heating & cooling.
- Compact outdoor unit with top discharge
- ODU ships pre-charged with environmentally friendly R410A refrigerant.

- DC Inverter technology
- All DC Inverter high quality compressors
- Sensorless DC fan motor
- Durable powder coated cabinet
- Brazed refrigerant line connections
- Built to ETL/UL/CSA/AHRI standards
- Easy installation and maintenance

YMGI Group

601 Arrow Ln, O'Fallon, Missouri 63366
Phone: 1-866-833-3138
Fax: 1-866-377-3355
ymgigroup.com

Sales Representative or Distributor: