



Submittal Data Sheet: VRFO-96VP-V2D(55)5

OUTDOOR UNIT

VRF Heat Pump



VRFO-96VP-V2D(55)5

ACCESSORIES

- COPPER/WIRE/ACC.SET
- LINESET COVERS
- WIND BAFFLE
- DISCHARGE HOOD

| Connection Pipes | | |
|--|--------|---------|
| Outer Diameter GasPipe | inches | 7/8 |
| Outer Diameter Liquid Pipe | inches | 3/8 |
| Modular | | up to 3 |
| Max. Equivalent Connection Pipe Length | ft. | 541.25 |
| Max. Height ODU at upper side | ft. | 164 |
| Max. Height ODU at lower side | ft. | 295.25 |

| Dimensions & Weight Outdoor Unit | | |
|----------------------------------|--------|--------------------------|
| Dimensions of Unit (W x H x D) | inches | 52 3/4 x 63 1/4 x 30 1/8 |
| Net Weight | lbs | 793 |

| | | | |
|-----------------------|--|------------------------|--|
| Job Name: | | Tag #: | |
| Location | | Date: | |
| General Contractor: | | Mechanical Contractor: | |
| Sales Representative: | | Sales Engineer: | |
| Submitted by: | | Drawing #: | |
| Reference | | PO #: | |

A FLEXIBLE AND AFFORDABLE VRF SYSTEM

YMGI's VRF Heat Pump systems are designed to deliver comfort year round. Effective in a wide range of outdoor ambient temperatures (as low as -4° F), the YMGI VRF Heat Pump systems can meet all your heating and cooling needs, with no need for a supplemental heating system. A YMGI VRF system can replace traditionally designed gas furnace and AC/HP coil & outdoor unit systems. VRF Heat Pump systems save money on installation and operation.

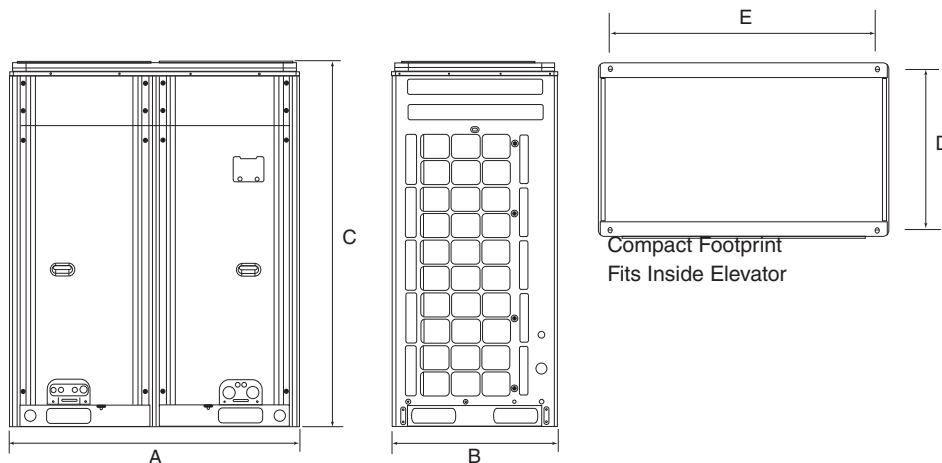
| Model | Unit | VRFO-96VP-V2D(55)5 |
|---|--------|------------------------------------|
| Cooling Capacity | Btu/h | 92,000 |
| Heating Capacity | Btu/h | 103,000 |
| Air flow volume | CFM | 8240 |
| ESP | WC | 0.33" |
| Heating Capacities at Different OD Ambient Temperatures | 47 ° F | 100% / 108,000 |
| | 17 ° F | 100% / 108,000 |
| | -4 ° F | 100% / 108,000 |
| EER Ducted / Mixed / Non-Ducted | | 11.20 / 12.20 / 13.20 |
| IEER Ducted / Mixed / Non-Ducted | | 20.00 / 23.30 / 26.60 |
| COP 47 Ducted / Mixed / Non-Ducted | | 3.40 / 3.78 / 4.15 |
| COP 17 Ducted / Mixed / Non-Ducted | | 2.38 / 2.44 / 2.50 |
| Sound Pressure/ Power Level | dB | 61/72 |
| Power Supply | V/Ø/Hz | 440V-460/3/60 |
| MCA | A | 45 |
| MOP/HVAC Circuit Breaker | A | 70 |
| Connection Method and Valve Sizes | - | Brazing 3/8+7/8" |
| R410A Refrigerant Factory Charge | oz | 345 |
| Compressor Manufacturer | - | Hitachi |
| Compressor Type | - | Inverter Scroll Hermetic |
| Compressor Quantity | No. | 2 |
| Motor Type | - | Permanent Magnet Synchronous Motor |
| Fan Quantity/Type | - | 2 Axial |
| Capacity Adjustment Range | %~% | 12%~120% |
| Maximum No. of drive IDU | units | 23 |
| IDU Capacity Total | % ODU | 50-150% zoning |
| Condenser Fin Color | - | Gold |
| Cooling Operation Ambient Temperature Range | ° F | 23° ~ 126° |
| Heating Operation Ambient Temperature Range | ° F | -4° ~75° |
| Base Pan Heater | - | YES |



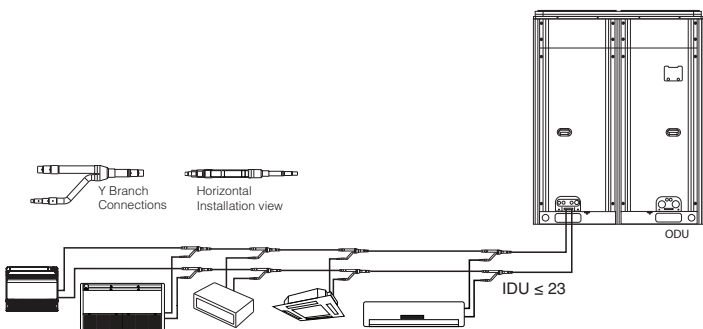
Submittal Data Sheet: VRFO-96VP-V2D(55)5

OUTDOOR UNIT

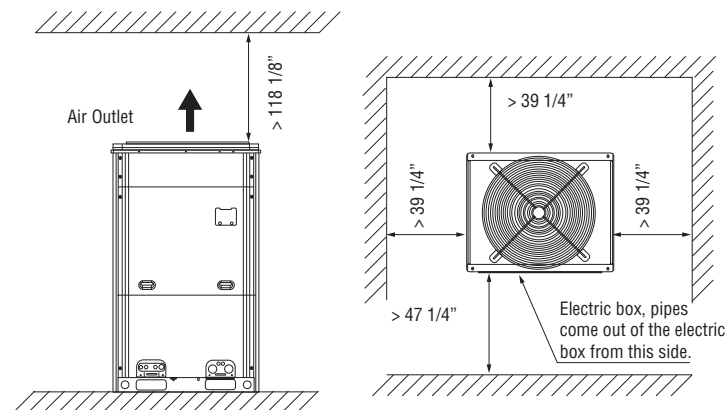
| Dimensions | |
|------------|---------|
| | inches |
| A | 52 3/4" |
| B | 30 1/8" |
| C | 63 1/4" |
| D | 28 7/8" |
| E | 47 1/2" |



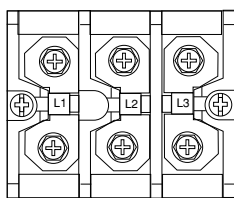
SYSTEM LAYOUT



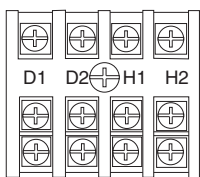
CLEARANCES



TERMINAL BLOCKS



208/230/3/60



IDU/ODU Communication
D1 D2 Wired Controller
H1 H2

| | | Modular VRF Systems | |
|---|-------------------|---------------------|----------|
| | | Allowable value | |
| | | m | f |
| Total length (actual length) of fitting pipe | | ≤1000 | 3280-3/4 |
| Length of farthest fitting pipe | Actual length | ≤165 | 541 1/4 |
| | Equivalent length | ≤190 | 623 1/4 |
| From the 1st branch to the farthest indoor pipe | | ≤40 | 131 1/4 |
| Height difference between ODU and IDU | ODU at upper side | ≤40 | 131 1/4 |
| | ODU at lower side | ≤90 | 295 1/4 |
| Height difference between IDUs | | ≤30 | 98 1/2 |

FEATURES

- 208-230/3/60 power input
- Heats at 80% capacity down to -4° F
- Quiet and efficient heating & cooling.
- Compact outdoor unit with top discharge
- ODU ships pre-charged with environmentally friendly R410A refrigerant.
- DC Inverter technology
- All DC Inverter high quality compressors
- Sensorless DC fan motor
- Durable powder coated cabinet
- Brazed refrigerant line connections
- Built to ETL/UL/CSA/AHRI standards
- Easy installation and maintenance

YMGI Group

601 Arrow Ln, O'Fallon, Missouri 63366
 Phone: 1-866-833-3138
 Fax: 1-866-377-3355
 ymgigroup.com

Sales Representative or Distributor: