



Solar Series

(56) DC-AC Mini Split Solar PV without Battery Bank 09-36K Btu/h

- Connects to 3 or 4 to 5 Panels (\geq Total 870W)
- Runs on Solar & AC
- 9k, 12k, 18k, 24k, 30k & 36k Btu/h Cooling & Heating Capacities
- Direct Solar Panel Hookup
- Batteries Not Required (are optional)

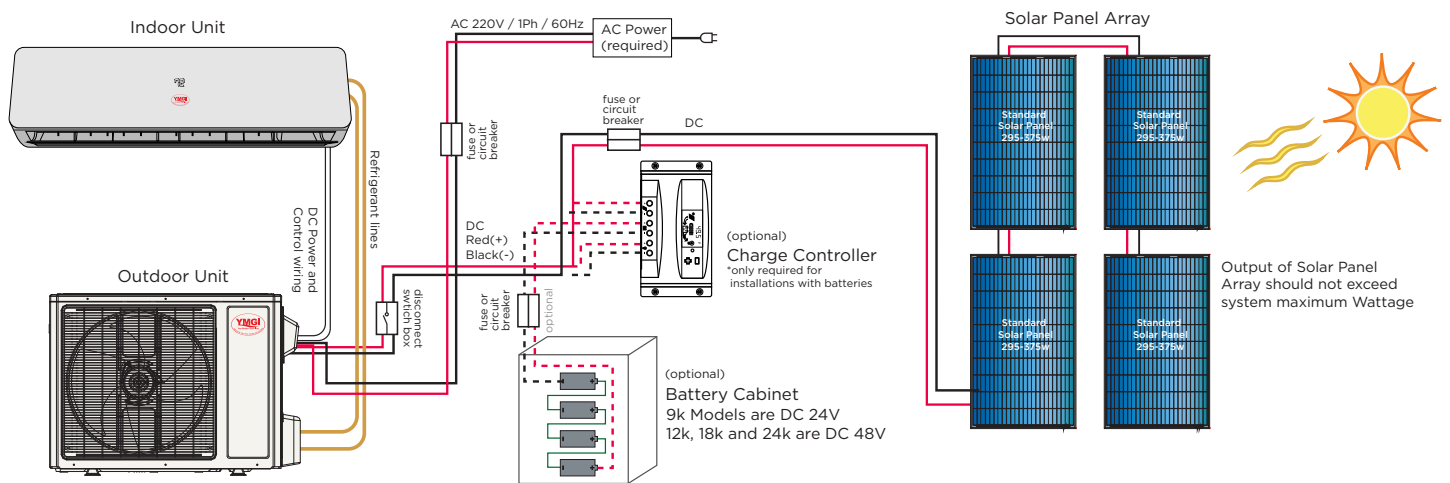


Solar Assisted Heating and Cooling

When the sun is shining, that's when you need your air conditioner the most. The (56) can be installed where AC electrical power is available, but the customer wants to utilize solar energy during the day to lower cooling and heating costs, without worrying about unit usage when it's cloudy or dark. With cooling capacities of 9k, 12k, 18k, 24k, 30k, and 36k these single zone systems require 208-230 volt, 1 phase, 60Hz municipal power supply. The (56) SOLAR can be wired directly to an array of solar panels to offset power consumption. Depending on your installation configuration, you can achieve a SEER rating of up to 35.

On sunny days the (56) Solar HP will draw power from up to five \geq 300W solar panels. Municipal power allows the system to run consistently when the weather is partly cloudy or overcast, and during night time operation.

No power is exported by the system, so no net metering agreement or special meter is required. The system can seamlessly utilize both power sources, with a bias towards using all available DC (solar) power.



YMGI Group

info@ymgigroup.com • ymgigroup.com

601 Arrow Ln, O'Fallon, MO 63366 • 866-833-3138 | 2883 Atlantic Ave., Brooklyn, NY 11207 • 917-868-4366



Great for Residential and Commercial

Heat or cool your home or office with reduced energy costs. Keep daytime heat rise or loss to a minimum, to help reduce evening heating and cooling costs. Attached to municipal power supply, the high efficiency system will save money while keeping you comfortable, even when the sun isn't shining. Designed to use less electricity than a conventional air conditioner or heat pump of the same capacity. With solar power, the Solar Series system can produce a SEER rating of up to 35.

Simple To Install

The Solar Series Heat Pump unit installs like a normal mini-split.

AC Power Supply 208-240V,50/60HZ for Non-Stop Guaranteed Cooling/Heating								
Max. Solar Panel Qty.	W/V	3x250W/36V	4x250W/36V	4x250W/36V	4x300W/36V	4x300W/36V	4x300W/36V	
Model No.-System		WMMS-09KS-V2B(56)	WMMS-12KS-V2B(56)	WMMS-18KS-V2B(56)	WMMS-24KS-V2B(56)	WMMS-30KS-V2B(56)	WMMS-36KS-V2B(56)	
Model No.-Indoor Unit		WMMS-09ES-V2B(56)	WMMS-12ES-V2B(56)	WMMS-18ES-V2B(56)	WMMS-24ES-V2B(56)	WMMS-30ES-V2B(56)	WMMS-36ES-V2B(56)	
Model No.-Outdoor Unit		WMMS-09CS-V2B(56)	WMMS-12CS-V2B(56)	WMMS-18CS-V2B(56)	WMMS-24CS-V2B(56)	WMMS-30CS-V2B(56)	WMMS-36CS-V2B(56)	
Nominal Ton-Cooling	Ton	0.75	1	1.5	2	2.5	3	
Performance								
Capacity Rating	Cooling	Btu/h	9000	12000	18000	24000	30000	36000
		W	2600	3500	5200	7200	9000	10000
	Heating	Btu/h	10000	13000	20000	27000	34000	40000
		W	2800	3700	5400	7900	10000	11000
Noise	Indoor	dB(A)	≤40	≤42	≤44	≤46	≤47	≤48
	Outdoor	dB(A)	≤50	≤52	≤55	≤58	≤59	≤60
Air Circulation	cfm	265	324	441	618	706	735	
Suitable Area	sq.ft.	108~161	129~269	215~376	269~484	301~538	322~592	
EER	W/W	5.2	4.7	4.5	4.4	4.3	4.3	
SEER	Btu/h/w	35	34	34	33	33	32	
COP	W/W	5.8	5.2	4.9	4.8	4.7	4.7	
SCOP	Btu/h/w	39	37	37	36	36	36	
HSPF	Btu/h/w	12	12	13	14	14	14	
Recommended Ambient Temperature Ranges	Cooling	15 to 104 °F	15 to 104 °F	15 to 104 °F	15 to 104 °F	15 to 104 °F	15 to 104 °F	
	Heat Pump	-4 °F to 60 °F	-4 °F to 60 °F	-4 °F to 60 °F	-4 °F to 60 °F	-4 °F to 60 °F	-4 °F to 60 °F	
Design pressure	PSI	550 / 340	550 / 340	550 / 340	550 / 340	550 / 340	550 / 340	
Refrigerant Oil		VG74	VG74	VG74	VG74	VG74	VG74	
Refrigerant		R410A	R410A	R410A	R410A	R410A	R410A	
Compressor		TOSHIBA (ROTARY)	TOSHIBA (ROTARY)	TOSHIBA (ROTARY)	TOSHIBA (ROTARY)	TOSHIBA (ROTARY)	TOSHIBA (ROTARY)	
Liquid side		1/4"	1/4"	1/4"	1/4"	1/4"	1/4"	
Gas side		3/8"	1/2"	1/2"	1/2"	5/8"	5/8"	
Power Consumption								
Rated Power Input	W	450	750	950	1250	1350	1450	
Rated Current	A	2.05	3.41	4.32	5.68	6.12	6.60	
Dimensions								
Indoor Unit	NET	in.	30 1/2" x 10 1/4" x 8 9/32"	30 1/2" x 10 1/4" x 8 9/32"	39" x 12 5/8" x 8 9/32"	39" x 12 5/8" x 8 9/32"	42 1/2" x 12 5/8" x 9 7/16"	42 1/2" x 12 5/8" x 9 7/16"
	Package	in.	33 1/16" x 12 13/16" x 10 7/16"	33 1/16" x 12 13/16" x 10 7/16"	42 1/8" x 15 9/16" x 11 7/32"	42 1/8" x 15 9/16" x 11 7/32"	45 9/32" x 16 1/2" x 12 5/8"	45 9/32" x 16 1/2" x 12 5/8"
Outdoor Unit	NET	in.	31 1/8" x 10 1/4" x 21 9/32"	31 1/8" x 10 1/4" x 21 9/32"	33 15/32" x 11 13/16" x 27 9/16"	33 15/32" x 11 13/16" x 27 9/16"	34 1/16" x 12 3/16" x 27 15/16"	34 1/16" x 12 3/16" x 27 15/16"
	Package	in.	35 13/16" x 14 9/16" x 24 1/32"	35 13/16" x 14 9/16" x 24 1/32"	37 7/16" x 15 3/4" x 29 9/16"	37 7/16" x 15 3/4" x 29 9/16"	40 3/8" x 15 9/16" x 31 1/8"	40 3/8" x 15 9/16" x 31 1/8"
Weight								
Indoor Unit	Net/Gross	lbs	24.25 / 28.66	28.66 / 33	37.5 / 41.88	41.88 / 48.5	48.5 / 50.7	48.5 / 50.7
Outdoor Unit	Net/Gross	lbs	83.8 / 88.2	99.2 / 105.8	105.8 / 121.25	123.5 / 136.7	125.7 / 149.9	127.9 / 143.3

All specifications subject to change without notice. Images are for reference only. See website full details on operation and requirements.

YMGI Group
 601 Arrow Ln, O'Fallon, Missouri 63366
 Phone: 1-866-833-3138
 Fax: 1-866-377-3355
 ymgigroup.com

Sales Representative or Distributor: