



(56) DC-AC Mini Split Solar PV with Battery Bank 09-36K Btu/h

- Runs on Solar DC & AC
- 9k, 12k, 18k, 24k, 30k & 36k Btu/h Cooling & Heating Capacities
- Direct Solar Panel Hookup
- Batteries Not Required (are optional)

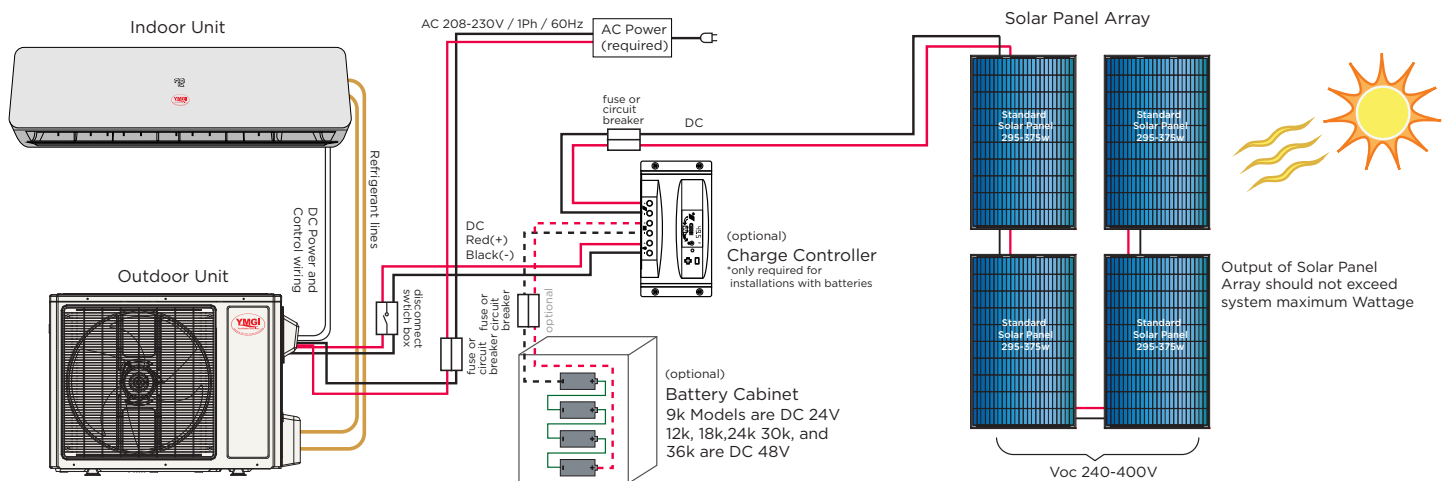


Solar Assisted Heating and Cooling

When the sun is shining, that's when you need your air conditioner the most. The (56) can be installed where AC electrical power is available, but the customer wants to utilize PV and a battery bank storage during the day to lower cooling and heating costs, without worrying about unit usage when it's cloudy or dark. With cooling capacities of 9k, 12k, 18k, 24k, 30k, and 36k these single zone systems require 208-230 volt, 1 phase, 60Hz municipal power supply. Municipal power allows the system to run consistently when the weather is overcast, or during night time operation.

You can install your (56) system to a charge controller and battery bank that can store extra solar power that is not being used cooling/heating system, and use it whenever PV generated DC power is less than what is needed to power the cooling/heating system. Depending on your installation configuration, you can achieve a SEER rating of up to 35.

No power is exported by the system, so no net metering agreement or special meter is required. The system can seamlessly utilize both power sources, with a bias towards using all available DC (solar) power. 1198 models require solar panel voltages of 50-400 VDC. Solar Panel voltages less than 50VDC will not offset municipal power usage. A transformer is available to allow usage of lower voltages.





Great for Residential and Commercial

Heat or cool your home or office with reduced energy costs. Keep daytime heat rise or loss to a minimum, to help reduce evening heating and cooling costs. Attached to municipal power supply, the high efficiency system will save money while keeping you comfortable, even when the sun isn't shining. Designed to use much less electricity than a conventional air conditioner or heat pump of the same capacity. With solar power, the Solar Series system can produce a SEER rating of up to 35.

Simple To Install

The Solar Series Heat Pump unit installs like a normal mini-split.

AC Power Supply 208-240V,50/60HZ for Non-Stop Guaranteed Cooling/Heating 1198 Series								
Max. Solar Panel Qty.	W/V		7x250W/40V	7x250W/40V	7x250W/40V	7x300W/40V	7x300W/40V	7x300W/40V
Voltage Between PV+ and PV-			250-400VDC	250-400VDC	250-400VDC	250-400VDC	250-400VDC	250-400VDC
Model No.-System			WMMS-09KS-V2B(56)	WMMS-12KS-V2B(56)	WMMS-18KS-V2B(56)	WMMS-24KS-V2B(56)	WMMS-30KS-V2B(56)	WMMS-36KS-V2B(56)
Model No.- Indoor Unit			WMMS-09ES-V2B(56)	WMMS-12ES-V2B(56)	WMMS-18ES-V2B(56)	WMMS-24ES-V2B(56)	WMMS-30ES-V2B(56)	WMMS-36ES-V2B(56)
Model No.- Outdoor Unit			WMMS-09CS-V2B(56)	WMMS-12CS-V2B(56)	WMMS-18CS-V2B(56)	WMMS-24CS-V2B(56)	WMMS-30CS-V2B(56)	WMMS-36CS-V2B(56)
Nominal Ton-Cooling	Ton		0.75	1	1.5	2	2.5	3
Performance								
Capacity Rating	Cooling	Btu/h	9000	12000	18000	24000	30000	36000
		W	2600	3500	5200	7200	9000	10000
	Heating	Btu/h	10000	13000	20000	27000	34000	40000
		W	2800	3700	5400	7900	10000	11000
Noise	Indoor	dB(A)	40	42	44	46	47	48
	Outdoor	dB(A)	50	52	55	58	59	60
Air Circulation		cfm	264.86	323.72	441.43	618	363.74	735.72
EER	W/W		up to 10.2	up to 9.7	up to 9.5	up to 9.4	up to 9.3	up to 9.3
SEER	Btu/h/w		up to 35	up to 34	up to up to 34	33	up to 33	up to 32
COP	W/W		5.8	5.2	4.9	4.8	4.7	4.7
HSPF	Btu/h/w		23	23	24	25	25	25
Operating Range	Indoor Unit		61-88°F	61-88°F	61-88°F	61-88°F	61-88°F	61-88°F
Outdoor Ambient	Cooling		23-132°F	23-132°F	23-132°F	23-132°F	23-132°F	23-132°F
	Heating		5-75°F	5-75°F	5-75°F	5-75°F	5-75°F	5-75°F
Design pressure	PSI		550 / 340	550 / 340	550 / 340	550 / 340	550 / 340	550 / 340
Refrigerant Oil			VG74	VG74	VG74	VG74	VG74	VG74
Refrigerant			R410A	R410A	R410A	R410A	R410A	R410A
Compressor			TOSHIBA (ROTARY)	TOSHIBA (ROTARY)	TOSHIBA (ROTARY)	TOSHIBA (ROTARY)	TOSHIBA (ROTARY)	TOSHIBA (ROTARY)
Liquid side	in		1/4"	1/4"	1/4"	1/4"	1/4"	1/4"
Gas side	in		3/8"	1/2"	1/2"	5/8"	5/8"	5/8"
DC Connection / Wire			MC4/AWG 10/12	MC4/AWG 10/12	MC4/AWG 10/12	MC4/AWG 10/12	MC4/AWG 10/12	MC4/AWG 10/12
Power Consumption								
Rated Power Input	W		450	750	950	1250	1550	1800
Rated Current	A		2.05	3.41	4.32	5.68	6.86	7.96
IDU Power Supply			310VDC	310VDC	310VDC	310VDC	310VDC	310VDC
IDU Current / Watts			0.05A/15.5W	0.06A/18.6W	0.09A/27.9W	0.12A/37.2W		
Dimensions								
Indoor Unit (WxHxD)	NET	in.	30 1/2" x 10 1/4" x 8 9/32"	30 1/2" x 10 1/4" x 8 9/32"	39" x 12 5/8" x 8 9/32"	39" x 12 5/8" x 8 9/32"	42 1/2" x 12 5/8" x 9 7/16"	42 1/2" x 12 5/8" x 9 7/16"
	Shipping	in.	33 1/16" x 12 13/16" x 10 7/16"	33 1/16" x 12 13/16" x 10 7/16"	42 1/8" x 15 9/16" x 11 7/32"	42 1/8" x 15 9/16" x 11 7/32"	45 9/32" x 16 1/2" x 12 5/8"	45 9/32" x 16 1/2" x 12 5/8"
Outdoor Unit (WxHxD)	NET	in.	31 1/8" x 21 9/32" x 10 1/4"	31 1/8" x 21 9/32" x 10 1/4"	33 15/32" x 27 9/16" x 11 13/16"	33 15/32" x 27 9/16" x 11 13/16"	34 1/16" x 27 15/16" x 12 3/16"	34 1/16" x 27 15/16" x 12 3/16"
	Shipping	in.	35 13/16" x 24 1/32" x 14 9/16"	35 13/16" x 24 1/32" x 14 9/16"	37 7/16" x 29 9/16" x 15 3/4"	37 7/16" x 29 9/16" x 15 3/4"	40 3/8" x 31 1/8" x 15 9/16"	40 3/8" x 31 1/8" x 15 9/16"
Weight								
Indoor Unit	Net/Gross	lbs.	24.25 / 28.66	28.66 / 33	37.5 / 41.88	41.88 / 48.5	48.5 / 50.7	48.5 / 50.7
Outdoor Unit	Net/Gross	lbs.	83.8 / 88.2	99.2 / 105.8	105.8 / 121.25	123.5 / 136.7	125.7 / 149.9	127.9 / 143.3

All specifications subject to change without notice. Images are for reference only. See website full details on operation and requirements.

YMGI Group
 601 Arrow Ln, O'Fallon, Missouri 63366
 Phone: 1-866-833-3138
 Fax: 1-866-377-3355
 ymgigroup.com

Sales Representative or Distributor: