



## Submittal Data Sheet: WMMS-12KS-V2B(56) M6

### INDOOR UNIT



WMMS-12ES-V2B(56)

### OUTDOOR UNIT



WMMS-12CS-V2B(56)

### ACCESSORIES

- ADVANCED HEALTHY KIT  
HEPA/Enzyme/Cold Catalyst Filter  
Anion Generator
- THERMOSTAT
- MOUNTING BRACKETS
- FOOT RISERS
- COPPER/WIRE/ACC.SET
- LINESET COVERS
- WINTER WIND BAFFLE
- BRIDGE CONTROLLER

Connection Pipes		
Outer Diameter Liquid Pipe	inches	1/4
Outer Diameter Gas Pipe	inches	3/8
Max Distance ID Above ODU	feet	35
Max Distance ID Below ODU	feet	45
Max Distance Length	feet	70

Dimensions & Weight Indoor Unit		
Dimensions-Net W x H x D	inches	36.0 x 14.0 x 10.0
Net / Gross Weight	lbs.	24.2 / 30.8

Dimensions & Weight Outdoor Unit		
Dimensions-Net W x H x D	inches	33.4 x 21.3 x 12.6
Net / Gross Weight	lbs.	88.1 / 96.9
Safety Certification	ETL (C & US)	
Performance Certification	AHRI	

Dimensions & Weight Solar Panel		
Dimension (W x H x D)	inches	64.6 x 39.1 x 1.6
Net /Gross Weight	lbs	37.0 / 52.9

Job Name:		Tag #:	
Location		Date:	
General Contractor:		Mechanical Contractor:	
Sales Representative:		Sales Engineer:	
Submitted by:		Drawing #:	
Reference		PO #:	

YMGI's ductless 56 Series offers a quiet and efficient heating and cooling solution for any single room application with minimal impact to the environment. 56 Series units have a single zone mini split wall mounted unit and wall mount evaporator. The 56 Series can be wired directly to an array of solar panels (up to 5) to offset power consumption. The 56 Series create environmentally friendly comfortable living and working spaces. Includes U-Touch remote control.

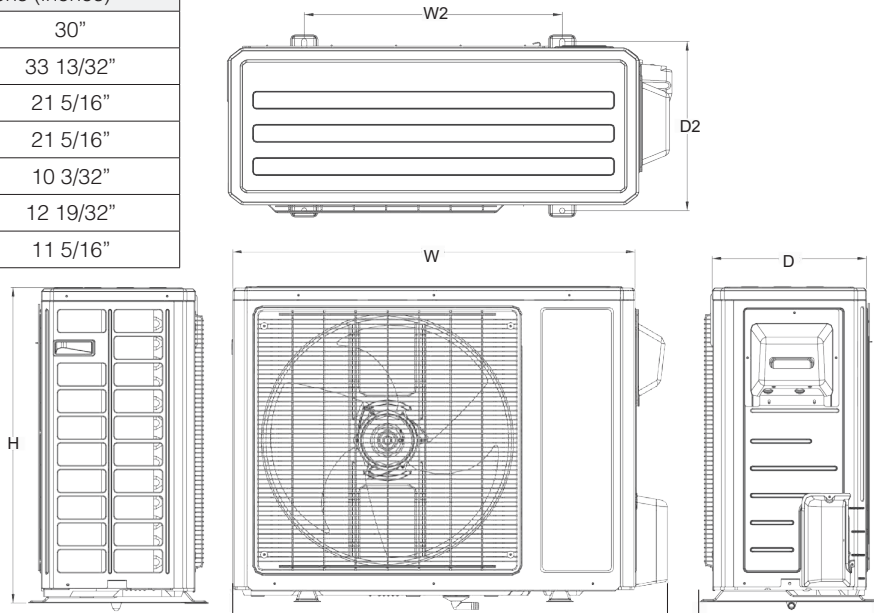
		COOLING	HEATING
<b>System Model</b>		WMMS-12KS-V2B(56)	
Power Source		208-230 / 1 / 60	
Cooling	Btu/h(L/M/H)	4500 / 12000 / 14000	
Heating	Btu/h(L/M/H)	3250 / 13000 / 14500	
MCA	Amp	9.6	
Frequency (High / Medium / Low)	Hz	80 / 57 / 15	
Power Input (High / Medium / Low)	W	1450 / 1000 / 120	
Rated Current (High / Medium)	A	7.0 / 5.2	
SEER / HSPF	Btu/h.w	UP to 32	
EER/COP	Btu/h.w	15.2	
Dehumidifying Volume	Pints/Hr.	2.5	
<b>Outdoor Unit (ODU)</b>		Model: WMMS-12CS-V2B(56)	
Compressor Type		Twin Rotary DC	
L.R.A.	A	33	
Compressor RLA	A	4.59	
Compressor Power Input	W	800	
Overload Protector		1NT11L-3979	
Throttling Method		Electronic Expansion Valve	
HVAC Circuit Breaker	A	20	
Starting Method		Transducer starting	
Recommended Working Ambient Temp Range	°F	15°F ≤ T ≤ 115°F     5°F ≤ T ≤ 86°F	
Condenser Coil Type		Aluminum fin-copper tube	
Fan Motor Speed (rpm) (H/L)		900 / 680     900±20	
Output of Fan Motor	W	40	
Fan Motor RLA	A	0.17	
Fan Motor Capacitor	uF	(DC)	
Air Flow Volume of Outdoor Unit	CFM	1120	
Defrosting Type		Auto defrost	
Isolation		I	
Moisture Protection		IP24	
MAX. Operating Pressure for Discharge Side	PSIG	551	
MAX. Operating Pressure for Suction Side	PSIG	174	
Sound Pressure Level (H/M/L)	dBA	≤55	
Sound Power Level dB (H/M/L)	dBA	≤65	
<b>Indoor Unit (IDU)</b>		Model: WMMS-12ES-V2B(56)	
Fan Motor Speed (SH/H/M/L)	RPM	1300 / 1060 / 920 / 740     1320 / 1200 / 1100 / 960	
Air Flow Volume (SH/H/M/L)	CFM	300 / 277 / 253 / 218	
Output of Fan Motor	w	20	
Fan Motor RLA	A	0.38 / 0.20	
Evaporator Coil	Type	Aluminum fin-copper tube	
Output of Swing Motor	W	2.4	
Fuse	A	PCB 3.15A	
Sound Pressure Level (SH/H/M/L)	dBA	40 / 36 / 32 / 26	
Sound Power Level (SH/H/M/L)	dBA	50 / 46 / 42 / 36	
<b>Solar Panel</b>		Model: WMMS-12ES-V2B(56)	
<b>Municipal Power Consumption, With No Solar Panels Installed</b>			
Power Supply	V/Ph/Hz	208-230/1/60	
Power Input	W(L/S/H)	120/1000/1450     220/1200/1500	
<b>Municipal Power Consumption, with Solar Panel Installed / tested at STC Solar Irradiance of 1000 W/m2</b>			
Power Input	W (L/S/H)	30 / 200 / 450     30 / 300 / 500	
<b>Accepted Solar Panel - Power Data Ranges (All Panel of Same Model &amp; Type)</b>			
Open Circuit VoltageVoc (All PV Panels in Series)	V	22~165	
Short Circuit Current Isc (Per Panel)	A	5~9	
Nominal Power Output (STC Condition) Pmax (Per Panel)	W	200 + (to 400)	
Power Output Tolerances (Per Panel)	W	-0 / +3 to +5	
Allowed PV Panel	W	Mono-crystalline or Poly-silicon	
Allowed PV Panel Qty. in Series	Pieces	1 to 5 (up to 1000 W)	
<b>Recommended PV Panel Qty.</b>			
Southern CA-FL / Northern CA, NC / OR-NY / WA-NE		1-3 / 2-4 / 3-5 / 4-5	



# Submittal Data Sheet: WMMS-12KS-V2B(56) M6

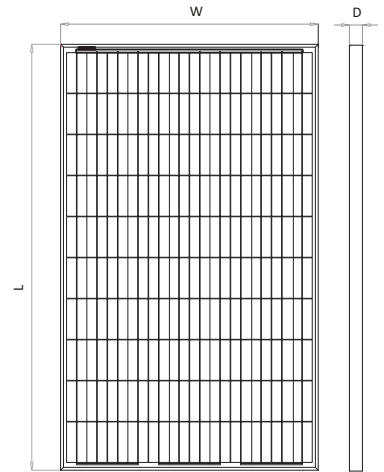
## OUTDOOR UNIT

Dimensions (inches)	
W	30"
W1	33 13/32"
W2	21 5/16"
H	21 5/16"
D	10 3/32"
D1	12 19/32"
D2	11 5/16"



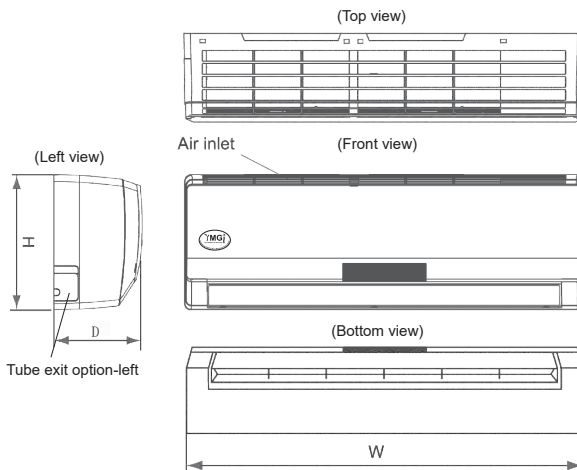
## SOLAR PANEL

Dimensions (inches)	
L	64 19/32"
W	39 3/32"
D	1 19/32"

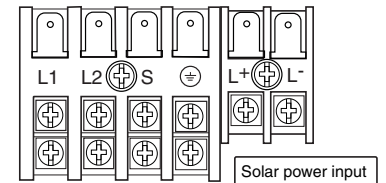


## INDOOR UNIT

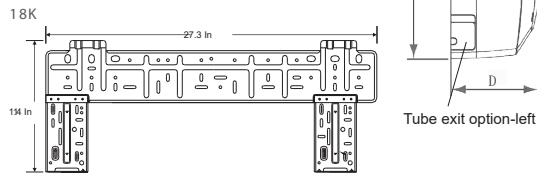
Dimensions (inches)	
W	33 5/16"
H	10 13/16"
D	7 3/32"



## TERMINAL BLOCK



## MOUNTING PLATE



## FEATURES

- Minimized municipal power usage. As low as 30W.
- PV panel DC power, supplemented by municipal power. (Municipal electricity is required for stable power source.)
- Advanced temperature, comfort and safety control
- Can be integrated to work with existing solar panels
- R410A refrigerant and constructed from environment friendly materials.
- Solar panel installations eligible for Federal tax credit and/or State and/or utility company's rebate/incentive programs
- Quiet and efficient heating & cooling
- LED display shows set temperature & operating modes
- Motorized louver system quietly distributes air evenly
- "U-TOUCH" Remote Control
- DC Inverter technology
- Wide working ambient temperature ranges
- Stylish system design
- Compact outdoor unit with side discharge
- Outdoor unit ships pre-charged.
- High quality compressors
- Durable powder coated cabinet
- Default flare brass connection valves
- Knock-outs for refrigerant pipes and wiring
- Built to ETL/UL/CSA/ARI standards
- Easy installation and maintenance

**YMGI Group**  
 601 Arrow Ln, O'Fallon, Missouri 63366  
 Phone: 1-866-833-3138  
 Fax: 1-866-377-3355  
 ymgigroup.com

Sales Representative or Distributor: