



Submittal Data Sheet: WMMS-18K-V2B(57)3 M6

INDOOR UNIT



WMMS-18E-V2B(57)3

OUTDOOR UNIT



WMMS-18C-V2B(57)3

ACCESSORIES

- THERMOSTAT
- MOUNTING BRACKETS
- FOOT RISERS
- COPPER/WIRE/ACC.SET
- LINESET COVERS
- WINTER WIND BAFFLE
- BRIDGE CONTROLLER

System Model Number		WMMS-18K-V2B(57)3
Connection Pipes		
Length without Adjusting Refrigerant	ft.	25
Additional Refrigerant Charge	oz/ft.	0.23
Outer Diameter Liquid Pipe	in	1/4
Outer Diameter Gas Pipe	in	1/2
Max. Allowed ID-OD Elevation Difference	ft.	M6: 33
Max. Allowed ID-OD Distance/Length	ft.	M6: 82

Dimensions & Weight Indoor Unit		
Dimension of Unit (W x H x D)	in	M6: 34.1 x 12.0 x 8.5
Net /Gross Weight	lb	M6: 27.0 / 35.3

Dimensions & Weight Outdoor Unit		
Dimensions of Unit (W x H x D)	in	M6: 37.6 x 15.6 x 27.6 M1: 33.4 x 11.6 x 23.8
Net / Gross Weight	in	M6: 106 / 117

Job Name:		Tag #:	
Location		Date:	
General Contractor:		Mechanical Contractor:	
Sales Representative:		Sales Engineer:	
Submitted by:		Drawing #:	
Reference		PO #:	

YMGI's ductless SOLO single zone mini split wall mounted unit uses the most popular evaporator style, offering a quiet and efficient heating and cooling solution or any single room application. The SOLO 57 features a simplified display that shows mode and temperature and a motorized louver system evenly distributes air throughout the space. The SOLO 57's ODU is designed to allow ground installation, or mounting in discreet locations such as a wall, under a deck or on a balcony.

System Model Number	WMMS-18K-V2B(57)3	
Power Supply	V/Ph/Hz	208-230/1/60
	Connection	Circuit Breaker-Disconnect Switch-Outdoor-Indoor Unit
Standard / Min. / Max. Cooling Capacities	Btu/h	18000 / 4,500 / 21,000
Standard / Min. / Max. Heating Capacities	Btu/h	19200 / 4,000 / 23,000
Standard / Min. / Max. Cooling Power Input	W	1620 / 200 / 2,400
Standard / Min. / Max. Heating Power Input	W	2,600 / 300 / 2,600
Cooling / Heating Current	Amp.	7.85 / 7.10-11.77 / 10.65
Rated Power Input	W	2600
Min. Current (MCA)	Amp.	14.3
Max. Over Current Protection	Amp.	20
EER / COP / SEER / HSPF	Btu/h.W	11.1 / 8.0 / 16.0 / 8.0
Air Flow Volume-Indoor Unit	CFM	471 / 400 / 330 / 271

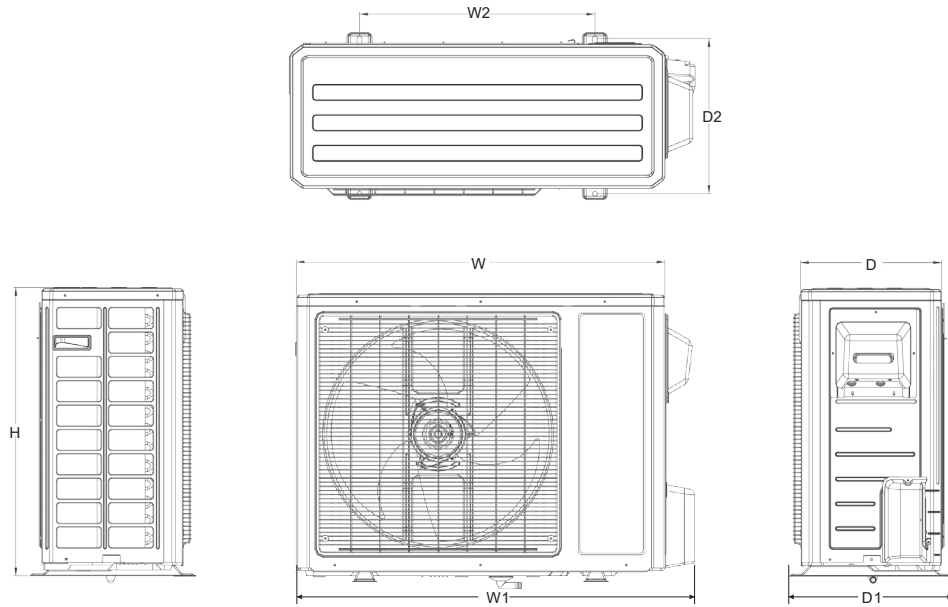
Outdoor Unit (ODU)		
Outdoor Unit Model		WMMS-18C-V2B(57)3
Compressor Oil		FV50S
Compressor Type		Rotary
Compressor LRA	Amp.	27.00
Compressor RLA	Amp.	10.86
HVAC Type Circuit Breaker	Amp.	30
Compressor Power Input	W	2500
Compressor Overload Protector		1NT11L-6578
Fan Type		Axial-flow
Fan Motor Speed	RPM	690
Fan Motor Power Output	W	60
Fan Motor RLA Amp.	Amp.	0.62
Fan Motor Capacitor	µF	3.5
Condenser Form		Aluminum Fin-Copper Tube
Condenser Pipe Diameter	Inch	ø 9/32
Max. Pressure for the Discharge Side	PSIG	623.5
Max. Pressure for the Suction Side	PSIG	362.5
Cooling Operation Outdoor Ambient Temperature Ranges	°F	55 ~ 118
Heating Operation Outdoor Ambient Temperature Ranges	°F	5 ~ 75
Throttling Method		Capillary
DefrostingMethod		Automatic Defrosting
Isolation / Moisture Protection		1 / IP24
Sound Pressure / Power Level	dB (A)	56 / 66
R410A Refrigerant Factory Charge	oz	45.86

Indoor Unit (IDU)		
Indoor Unit Model		WMMS-18E-V2B(57)3
Fan Type		Cross-flow
Cooling Speed SH/H/M/L	RPM	1400 / 1150 / 1000 / 850
Heating Speed SH/H/M/L	RPM	1450 / 1250 / 1100 / 950
Fan Motor Power Output	W	20
Fan Motor RLA	Amp.	0.32
Fan Motor Capacitor	µF	1.5
Evaporator Type		Aluminum Fin-copper Tube
Swing Motor Power Output	W	2
Fuse Location-Size	Amp.	PCB 3.15 Transformer 0.2
Set Temperature Range	°F	60.8~86
Sound Pressure Level	dB (A)	48 / 43 / 38 / 34
Sound Power Level	dB (A)	58 / 53 / 48 / 43



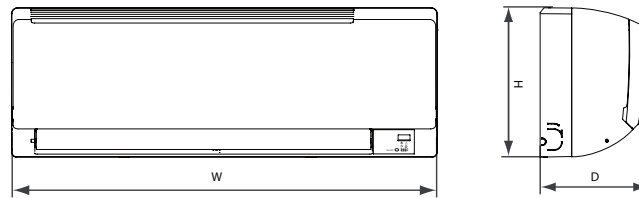
OUTDOOR UNIT

Dimensions (inches)	
	M6
W	35"
W1	37 29/32"
W2	22"
H	27 19/32"
D	13 13/32"
D1	15 19/32"
D2	14 5/16"

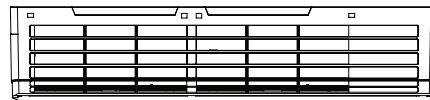
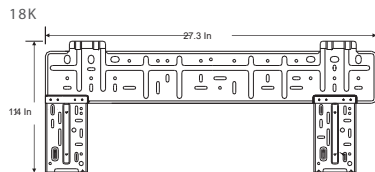


INDOOR UNIT

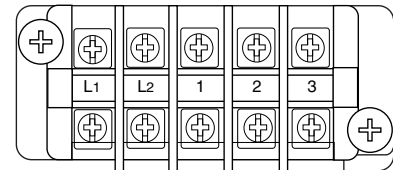
Dimensions (inches)	
	M6
W	34 3/32"
H	12"
D	8 1/4"



MOUNTING PLATE



TERMINAL BLOCK



FEATURES

- 208-230/1/60 power input
- Quiet and efficient heating & cooling.
- LED display shows set temperature & operating modes.
- Motorized louver system quietly distributes air evenly
- "U-TOUCH" Remote Control.
- DC Inverter technology
- Wide working ambient temperature ranges
- Stylish design
- Compact outdoor unit with side discharge
- Outdoor unit ships pre-charged.
- World-class quality compressors
- Durable powder coated cabinet
- Default flare brass connection valves
- Knock-outs for refrigerant pipes and wiring
- Built to ETL/UL/CSA/ARI standards
- Easy installation and maintenance

YMGI Group
 601 Arrow Ln, O'Fallon, Missouri 63366
 Phone: 1-866-833-3138
 Fax: 1-866-377-3355
 ymgigroup.com

Sales Representative or Distributor: