



Submittal Data Sheet: FRMS-10B Models

MAKEUP AIR ROOF SUPPLY FANS



FRMS-10B Models

Makeup Air Roof Supply Fan Features:

- Full molded, galvanized steel
- Centrifugal impeller for high efficiency and low noise
- Compact design, easy to install
- Designed for direct connection
- ISO 9001:2000 controllable standard

| | | | |
|---------------|--|------------|--|
| Job Name: | | Tag #: | |
| Location | | Date: | |
| Engineer: | | Approval: | |
| Submitted to: | | Unit #: | |
| Submitted by: | | Drawing #: | |
| Reference | | PO #: | |

YMGI Roof Supply Fan units are designed to provide efficient and reliable operation for commercial and extractive industries. Our products are manufactured with state of the art laser cutting, forming, latheing and welding equipment to ensure quality construction. Our quality control testing ensures trouble free operation. Our Roof Supply Fan units ventilation equipment include industry leading design features using the latest technologies available.

FRMS Series

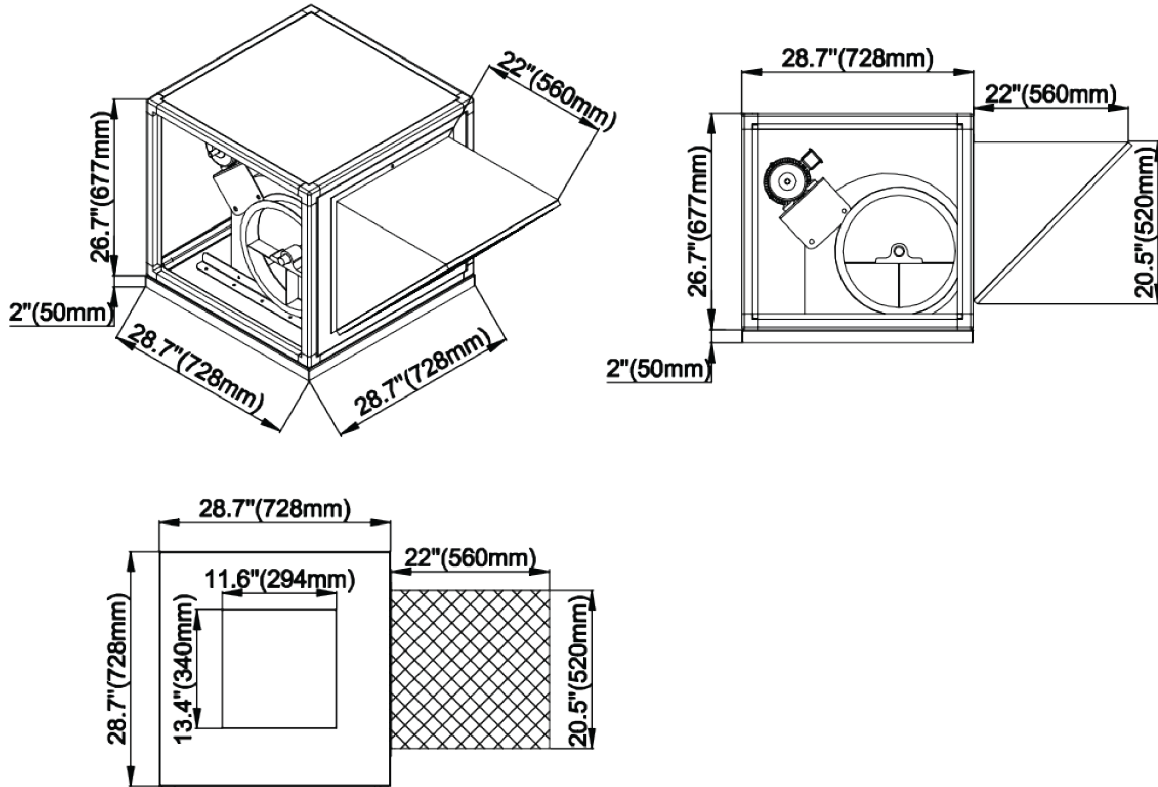
- Made of carbon steel with a double-inlet wheel, laser cut for precision construction.
- Galvanized steel drive cavity cover can be opened without tools for convenient cleaning and maintenance.
- Different motor mounts and transmissions require different motor brackets.
- The impeller is made using laser cutting and die cast molding.
- Carbon steel, stainless steel and aluminum alloy impeller are available.
- Impeller balance test grades are in strict accordance with the G4.0 ISO1940.

| Model | Power | AC motor 1Ø | AC motor 3Ø |
|---------------|--------|-------------|-------------|
| FRMS-10B-X0XX | 0.33HP | 220V/60Hz | 460V/60Hz |
| | 0.33HP | 120V/60Hz | 230V/60Hz |
| | 0.50HP | 220V/60Hz | 460V/60Hz |
| | 0.50HP | 120V/60Hz | 230V/60Hz |
| | 0.75HP | 220V/60Hz | 460V/60Hz |
| | 0.75HP | 120V/60Hz | 230V/60Hz |
| | 1HP | 220V/60Hz | 460V/60Hz |
| | 1HP | 120V/60Hz | 230V/60Hz |

| CFM | Static Pressure in Inches W.C. | | | | | | | | | | | | | | | | | | | |
|------|--------------------------------|------|------|------|-------|------|------|------|-------|------|------|------|------|------|-------|------|------|------|------|------|
| | 0.125 | | 0.25 | | 0.375 | | 0.5 | | 0.625 | | 0.75 | | 1 | | 1.125 | | 1.25 | | 1.5 | |
| | RPM | RPM | RPM | RPM | RPM | RPM | RPM | RPM | RPM | RPM | RPM | RPM | RPM | RPM | RPM | RPM | RPM | RPM | RPM | RPM |
| | Sone | BHP | Sone | BHP | Sone | BHP | Sone | BHP | Sone | BHP | Sone | BHP | Sone | BHP | Sone | BHP | Sone | BHP | Sone | BHP |
| 800 | 422 | | 539 | | | | | | | | | | | | | | | | | |
| | 11.4 | 0.05 | 11.9 | 0.08 | | | | | | | | | | | | | | | | |
| 980 | 466 | | 569 | | 662 | | 745 | | | | | | | | | | | | | |
| | 10 | 0.07 | 11.7 | 0.11 | 11.3 | 0.14 | 10.5 | 0.17 | | | | | | | | | | | | |
| 1160 | 515 | | 606 | | 691 | | 770 | | 840 | | | | | | | | | | | |
| | 10.5 | 0.11 | 11.2 | 0.14 | 11.5 | 0.18 | 11.2 | 0.22 | 11.2 | 0.26 | | | | | | | | | | |
| 1340 | 565 | | 650 | | 726 | | 799 | | 868 | | 931 | | | | | | | | | |
| | 11.2 | 0.15 | 11 | 0.19 | 11.4 | 0.23 | 11.4 | 0.28 | 11.8 | 0.32 | 12.7 | 0.37 | | | | | | | | |
| 1520 | 622 | | 697 | | 767 | | 834 | | 898 | | 959 | | 1072 | | 1124 | | 1182 | | | |
| | 12 | 0.21 | 11.7 | 0.25 | 11.7 | 0.3 | 11.8 | 0.35 | 12.7 | 0.4 | 13.7 | 0.45 | 15.2 | 0.55 | 18.3 | 0.6 | 19.5 | 0.66 | | |
| 1700 | 678 | | 747 | | 811 | | 873 | | 933 | | 991 | | 1100 | | 1152 | | 1200 | | 1297 | |
| | 13.1 | 0.28 | 12.8 | 0.33 | 12.4 | 0.38 | 12.8 | 0.43 | 13.9 | 0.48 | 14.9 | 0.54 | 17.9 | 0.65 | 18.9 | 0.71 | 19.9 | 0.77 | 22 | 0.89 |
| 1880 | 735 | | 799 | | 860 | | 917 | | 972 | | 1026 | | 1130 | | 1179 | | 1228 | | 1318 | |
| | 14.2 | 0.37 | 14.1 | 0.42 | 13.7 | 0.48 | 14.5 | 0.53 | 15.4 | 0.59 | 16.4 | 0.65 | 18.6 | 0.77 | 19.5 | 0.83 | 20 | 0.9 | 23 | 1.02 |
| 2060 | 792 | | 854 | | 910 | | 964 | | 1016 | | 1065 | | 1164 | | 1211 | | 1256 | | | |
| | 15.5 | 0.47 | 15.7 | 0.53 | 15.9 | 0.59 | 16.5 | 0.65 | 17.3 | 0.71 | 18.2 | 0.77 | 20 | 0.9 | 21 | 0.97 | 21 | 1.04 | | |
| 2220 | 849 | | 910 | | 961 | | 1013 | | 1061 | | 1109 | | 1210 | | | | | | | |
| | 16.9 | 0.59 | 17.6 | 0.66 | 18.1 | 0.71 | 18.6 | 0.78 | 19.4 | 0.85 | 21 | 0.92 | 22 | 1.05 | | | | | | |
| 2390 | 908 | | 966 | | 1015 | | 1063 | | 1110 | | | | | | | | | | | |
| | 18.8 | 0.72 | 19.6 | 0.8 | 20 | 0.87 | 21 | 0.94 | 22 | 1.01 | | | | | | | | | | |
| 2570 | 967 | | 1022 | | 1070 | | | | | | | | | | | | | | | |
| | 21 | 0.88 | 22 | 0.97 | 23 | 1.04 | | | | | | | | | | | | | | |



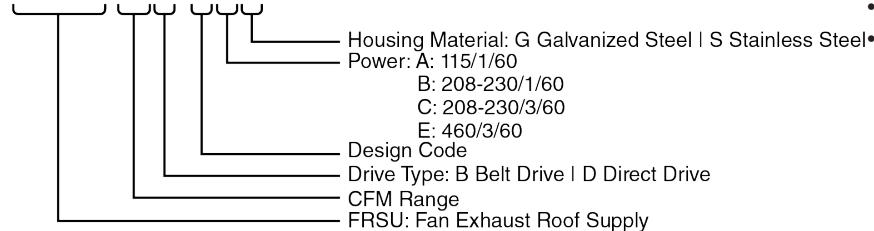
MAKEUP AIR ROOF SUPPLY FANS



YMGI Model Nomenclature

Model Number:

FRMS-10B-OBG



Applications include:

- Factory Supply
- Low noise Industry
- Restaurant Supply
- Agricultural

YMGI Group
 601 Arrow Ln, O'Fallon, Missouri 63366
 Phone: 1-866-833-3138
 Fax: 1-866-377-3355
 ymgigroup.com
 sales@ymgigroup.com

Sales Representative or Distributor: