



## Submittal Data Sheet: FRMS-12B Models

### MAKEUP AIR ROOF SUPPLY FANS



FRMS-12B Models

### Makeup Air Roof Supply Fan Features:

- Full molded, galvanized steel
- Centrifugal impeller for high efficiency and low noise
- Compact design, easy to install
- Designed for direct connection
- ISO 9001:2000 controllable standard

Job Name:		Tag #:	
Location		Date:	
Engineer:		Approval:	
Submitted to:		Unit #:	
Submitted by:		Drawing #:	
Reference		PO #:	

YMGI Roof Supply Fan units are designed to provide efficient and reliable operation for commercial and extractive industries. Our products are manufactured with state of the art laser cutting, forming, latheing and welding equipment to ensure quality construction. Our quality control testing ensures trouble free operation. Our Roof Supply Fan units ventilation equipment include industry leading design features using the latest technologies available.

### FRMS Series

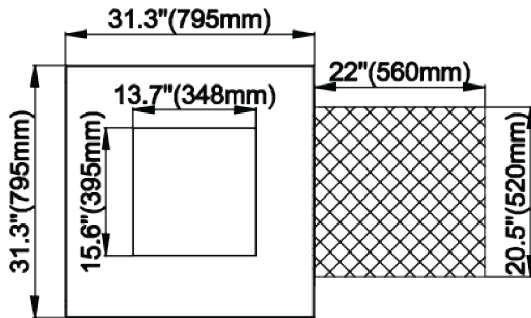
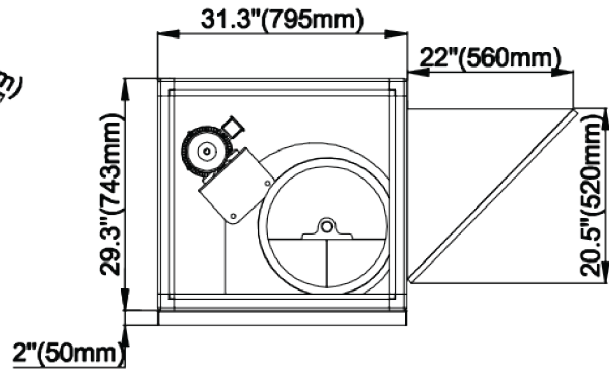
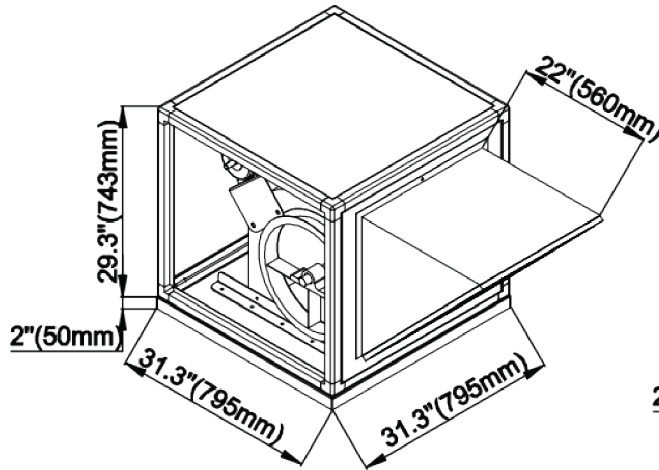
- Made of carbon steel with a double-inlet wheel, laser cut for precision construction.
- Galvanized steel drive cavity cover can be opened without tools for convenient cleaning and maintenance.
- Different motor mounts and transmissions require different motor brackets.
- The impeller is made using laser cutting and die cast molding.
- Carbon steel, stainless steel and aluminum alloy impeller are available.
- Impeller balance test grades are in strict accordance with the G4.0 ISO1940.

Model	Power	AC motor 1Ø	AC motor 3Ø
FRMS-12B-X0XX	0.33HP	220V/60Hz	460V/60Hz
	0.33HP	120V/60Hz	230V/60Hz
	0.50HP	220V/60Hz	460V/60Hz
	0.50HP	120V/60Hz	230V/60Hz
	0.75HP	220V/60Hz	460V/60Hz
	0.75HP	120V/60Hz	230V/60Hz
	1.0HP	220V/60Hz	460V/60Hz
	1.0HP	120V/60Hz	230V/60Hz
	1.5HP	220V/60Hz	460V/60Hz
	1.5HP	120V/60Hz	230V/60Hz

CFM	Static Pressure in Inches W.C.																			
	0.125		0.25		0.375		0.5		0.625		0.75		1		1.125		1.25		1.5	
	Sone	BHP	Sone	BHP	Sone	BHP	Sone	BHP	Sone	BHP	Sone	BHP	Sone	BHP	Sone	BHP	Sone	BHP	Sone	BHP
1200	380		483																	
	12.8	0.08	12.6	0.11																
1450	412		503		580															
	12.2	0.11	12.5	0.15	11.8	0.2														
1700	449		539		606		672													
	12.7	0.16	12.7	0.21	12.1	0.26	14	0.31												
1950	493		570		642		698		756		814									
	13.6	0.22	13.6	0.28	14.2	0.34	15.7	0.39	17.6	0.45	18.3	0.51								
2200	539		605		675		735		784		834									
	14.6	0.3	14.9	0.36	16.6	0.43	17.8	0.49	19.1	0.55	18.9	0.61								
2450	588		643		707		767		820		864		957		1003					
	15.7	0.4	17	0.46	18.8	0.53	19.7	0.61	19.8	0.68	19.6	0.74	20	0.89	21	0.97				
2700	637		688		743		800		855		901		980		1024		1067			
	17.7	0.52	19.9	0.58	21	0.66	21	0.74	21	0.82	21	0.9	22	1.04	23	1.12	25	1.21		
2950	687		733		780		833		887		937		1016		1052		1088		1169	
	20	0.66	21	0.73	23	0.8	22	0.89	22	0.99	22	1.08	24	1.23	25	1.31	26	1.39	31	1.58
3200	738		780		823		870		918		968		1053		1088					
	22	0.83	23	0.9	24	0.98	24	1.07	24	1.16	24	1.27	26	1.45	27	1.54				
3450	788		829		868		908		954		999									
	23	0.92	24	1.0	25	1.08	25	1.17	25	1.26	25	1.35	27	1.53	28	1.62				
3700	838		879		918		958		1004		1050		1135		1170		1205		1290	
	26	1.24	27	1.33	27	1.41	28	1.5												



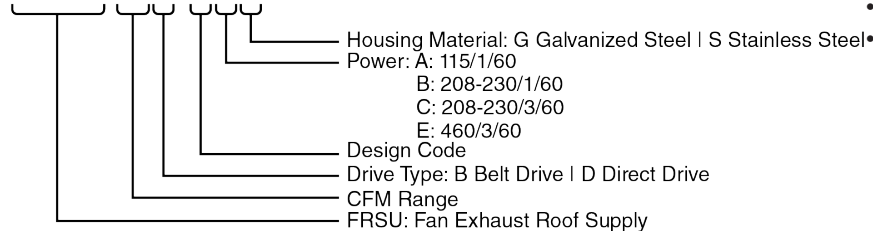
MAKEUP AIR ROOF SUPPLY FANS



**YMGI Model Nomenclature**

**Model Number:**

FRMS-10B-OBG



**Applications include:**

- Factory Supply
- Low noise Industry
- Restaurant Supply
- Agricultural

**YMGI Group**  
 601 Arrow Ln, O'Fallon, Missouri 63366  
 Phone: 1-866-833-3138  
 Fax: 1-866-377-3355  
 ymgigroup.com  
 sales@ymgigroup.com

Sales Representative or Distributor: