



Submittal Data Sheet: FRMS-15B Models

MAKEUP AIR ROOF SUPPLY FANS



FRMS-15B Models

Makeup Air Roof Supply Fan Features:

- Full molded, galvanized steel
- Centrifugal impeller for high efficiency and low noise
- Compact design, easy to install
- Designed for direct connection
- ISO 9001:2000 controllable standard

Job Name:		Tag #:	
Location		Date:	
Engineer:		Approval:	
Submitted to:		Unit #:	
Submitted by:		Drawing #:	
Reference		PO #:	

YMGI Roof Supply Fan units are designed to provide efficient and reliable operation for commercial and extractive industries. Our products are manufactured with state of the art laser cutting, forming, latheing and welding equipment to ensure quality construction. Our quality control testing ensures trouble free operation. Our Roof Supply Fan units ventilation equipment include industry leading design features using the latest technologies available.

FRMS Series

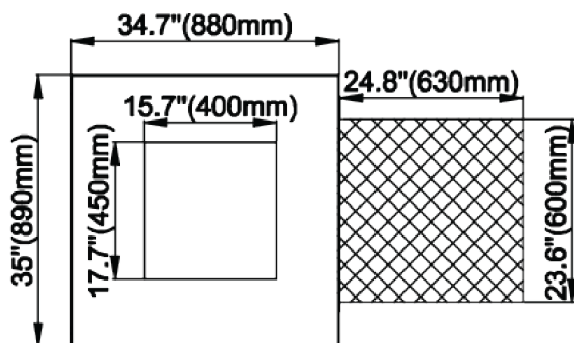
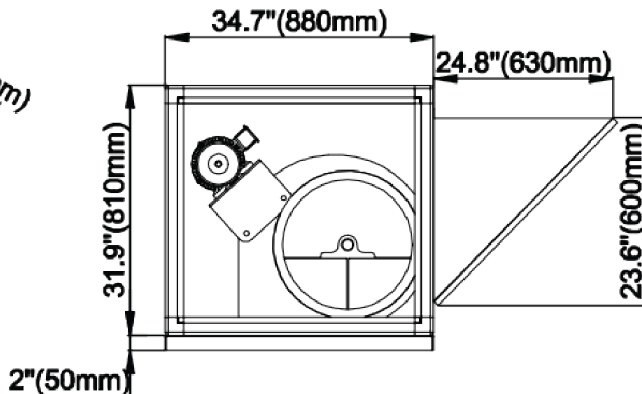
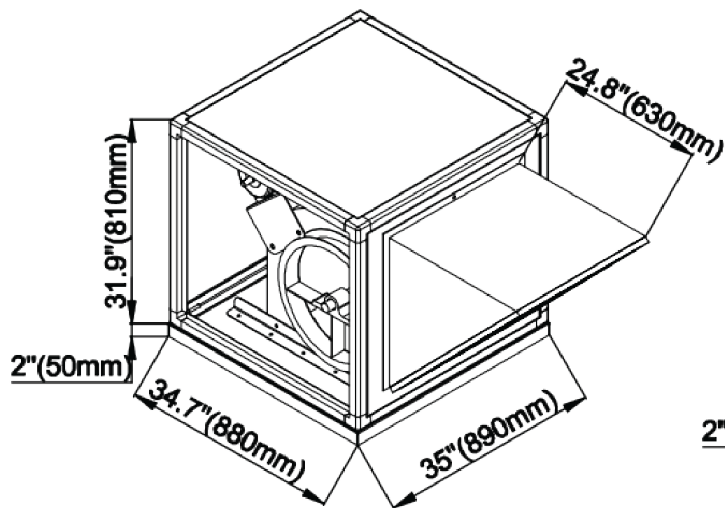
- Made of carbon steel with a double-inlet wheel, laser cut for precision construction.
- Galvanized steel drive cavity cover can be opened without tools for convenient cleaning and maintenance.
- Different motor mounts and transmissions require different motor brackets.
- The impeller is made using laser cutting and die cast molding.
- Carbon steel, stainless steel and aluminum alloy impeller are available.
- Impeller balance test grades are in strict accordance with the G4.0 ISO1940.

Model	Power	AC motor 1Ø	AC motor 3Ø
FRMS-15B-X0XX	0.50HP	220V/60Hz	460V/60Hz
	0.50HP	120V/60Hz	230V/60Hz
	0.75HP	220V/60Hz	460V/60Hz
	0.75HP	120V/60Hz	230V/60Hz
	1.0HP	220V/60Hz	460V/60Hz
	1.0HP	120V/60Hz	230V/60Hz
	1.5HP	220V/60Hz	460V/60Hz
	1.5HP	120V/60Hz	230V/60Hz
	2.0HP	220V/60Hz	460V/60Hz
	2.0HP	120V/60Hz	230V/60Hz

CFM	Static Pressure in Inches W.C.																			
	0.125		0.25		0.5		0.75		1		1.25		1.5		1.75		2		2.25	
	RPM		RPM		RPM		RPM		RPM		RPM		RPM		RPM		RPM		RPM	
1250	Sone	BHP	Sone	BHP	Sone	BHP	Sone	BHP	Sone	BHP	Sone	BHP	Sone	BHP	Sone	BHP	Sone	BHP	Sone	BHP
	306		397		536		644													
1600	7.5	0.07	8.9	0.12	9.7	0.23	12	0.34												
	341		420		555		662		753		834									
1950	6.3	0.12	9.2	0.17	10.3	0.29	13.3	0.43	15.5	0.58	16.7	0.73								
	377		453		576		681		771		851		924		990					
2300	6.8	0.18	9	0.24	11.1	0.38	14.1	0.53	15.8	0.7	17.1	0.87	18.3	1.05	19.6	1.23				
	422		488		600		702		790		869		942		1008		1070		1129	
2650	8.5	0.26	9.7	0.34	12.2	0.48	14.9	0.65	16.3	0.83	17.5	1.03	18.8	1.23	20	1.44	21	1.64	23	1.85
	469		524		632		724		811		888		960		1027		1088		1147	
3000	10.3	0.38	11.2	0.45	13.9	0.63	15.7	0.8	16.9	1	18	1.2	19.3	1.43	21	1.66	22	1.89	23	2.12
	518		564		666		753		833		910		979		1045					
3350	12.9	0.52	13.9	0.6	15.6	0.8	17.4	0.99	18.1	1.19	18.6	1.42	19.9	1.64	21	1.89				
	567		611		702		785		860		932		1001							
3700	16	0.7	16.5	0.79	17.9	1	19.1	1.21	19.9	1.43	21	1.66	21	1.91						
	617		659		738		820		892		958									
4050	19	0.91	18.6	1.02	20	1.23	21	1.48	22	1.71	23	1.95								
	667		707		775		856		925											
4400	22	1.17	21	1.29	22	1.5	23	1.78	24	2.04										
	719		755		820		892													
4750	23	1.47	23	1.6	24	1.84	25	2.12												
	770		805																	
	26	1.82	26	1.96																



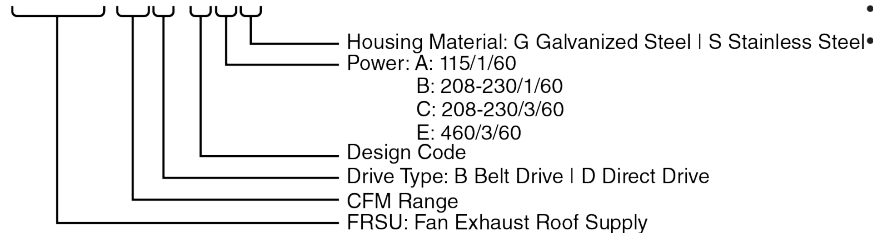
MAKEUP AIR ROOF SUPPLY FANS



YMGI Model Nomenclature

Model Number:

FRMS-10B-OBG



Applications include:

- Factory Supply
- Low noise Industry
- Restaurant Supply
- Agricultural

YMGI Group
 601 Arrow Ln, O'Fallon, Missouri 63366
 Phone: 1-866-833-3138
 Fax: 1-866-377-3355
 ymgigroup.com
 sales@ymgigroup.com

Sales Representative or Distributor: