



## Submittal Data Sheet: FRMS-18B Models

### MAKEUP AIR ROOF SUPPLY FANS



FRMS-10B Models

### Makeup Air Roof Supply Fan Features:

- Full molded, galvanized steel
- Centrifugal impeller for high efficiency and low noise
- Compact design, easy to install
- Designed for direct connection
- ISO 9001:2000 controllable standard

Job Name:		Tag #:	
Location		Date:	
Engineer:		Approval:	
Submitted to:		Unit #:	
Submitted by:		Drawing #:	
Reference		PO #:	

YMGI Roof Supply Fan units are designed to provide efficient and reliable operation for commercial and extractive industries. Our products are manufactured with state of the art laser cutting, forming, latheing and welding equipment to ensure quality construction. Our quality control testing ensures trouble free operation. Our Roof Supply Fan units ventilation equipment include industry leading design features using the latest technologies available.

### FRMS Series

- Made of carbon steel with a double-inlet wheel, laser cut for precision construction.
- Galvanized steel drive cavity cover can be opened without tools for convenient cleaning and maintenance.
- Different motor mounts and transmissions require different motor brackets.
- The impeller is made using laser cutting and die cast molding.
- Carbon steel, stainless steel and aluminum alloy impeller are available.
- Impeller balance test grades are in strict accordance with the G4.0 ISO1940.

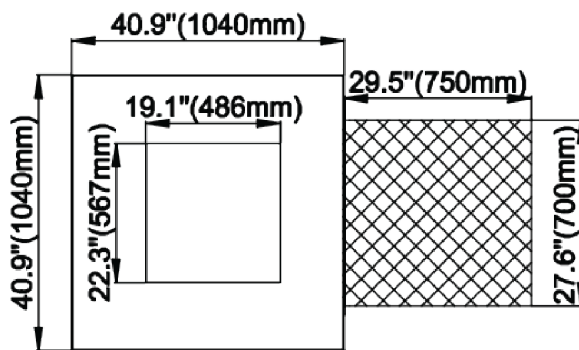
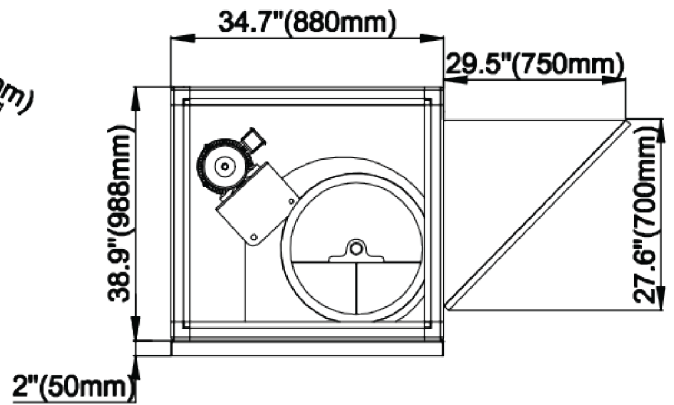
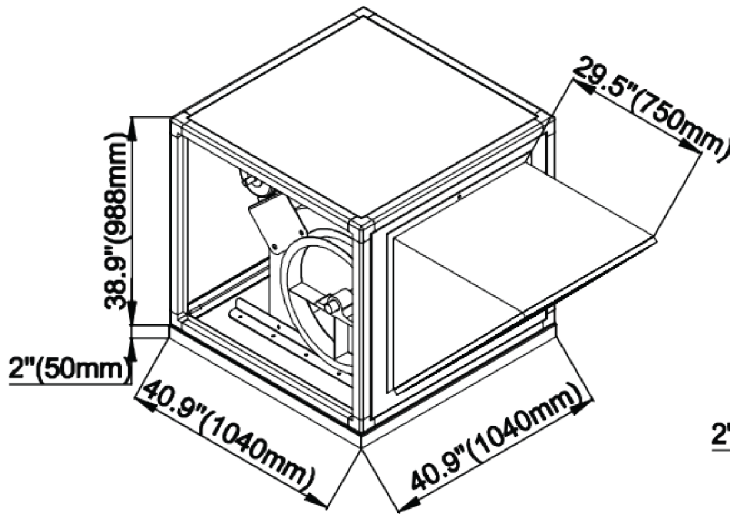
Model	Power	AC motor 1Ø	AC motor 3Ø
FRMS-18B-X0XX	1.0HP	220V/60Hz	460V/60Hz
	1.0HP	120V/60Hz	230V/60Hz
	1.5HP	220V/60Hz	460V/60Hz
	1.5HP	120V/60Hz	230V/60Hz
	2.0HP	220V/60Hz	460V/60Hz
	2.0HP	120V/60Hz	230V/60Hz
	3.0HP	None	460V/60Hz
	3.0HP		230V/60Hz
	5.0HP	None	460V/60Hz
	5.0HP		230V/60Hz

CFM	Static Pressure in Inches W.C.																				
	0.125		0.25		0.5		0.75		1		1.5		2		2.5		2.75		3		
	Sone	BHP	Sone	BHP	Sone	BHP	Sone	BHP	Sone	BHP	Sone	BHP	Sone	BHP	Sone	BHP	Sone	BHP	Sone	BHP	
2450	284		349		456		554														
	6.9	0.16	9.4	0.23	9.8	0.37	11.5	0.57													
3050	324		380		478		562		644												
	8.3	0.26	8.6	0.34	10.8	0.51	12.2	0.7	15.8	0.93											
3650	366		416		506		584		654		790										
	10.3	0.41	10.1	0.5	11.9	0.7	13.3	0.91	17	1.12	24	1.67									
4250	409		456		537		611		678		797		914								
	12.5	0.6	12	0.71	13.1	0.93	14.6	1.16	19.1	1.41	23	1.93	24	2.59							
4850	456		498		572		641		703		818		922		1024		1071		1117		
	14.8	0.85	14.5	0.98	15.6	1.23	17.5	1.48	21	1.75	23	2.32	24	2.93	24	3.69	25	4.07	25	4.46	
5450	504		540		610		674		733		841		939		1032		1079		1124		
	17.2	1.17	17.2	1.31	19.1	1.59	22	1.87	23	2.16	23	2.77	24	3.42	25	4.12	25	4.54	26	4.86	
6050	553		584		651		709		765		868		963		1049		1090				
	20	1.57	20	1.7	22	2.03	24	2.34	26	2.64	25	3.31	25	4.01	26	4.73	26	5.08			
6650	603		630		692		747		800		898		988								
	24	2.05	24	2.19	24	2.52	27	2.88	28	3.23	28	3.93	29	4.65							
7250	652		678		734		787		836		929										
	27	2.61	27	2.78	27	3.15	31	3.53	30	3.89	30	4.63									
7850	701		727		777		829		875												
	30	3.27	30	3.46	31	3.84	32	4.26	33	4.66											
8450	750		776		821		870														
	33	4.04	34	4.26	35	4.64	36	5.1													



# Submittal Data Sheet: FRMS-18B Models

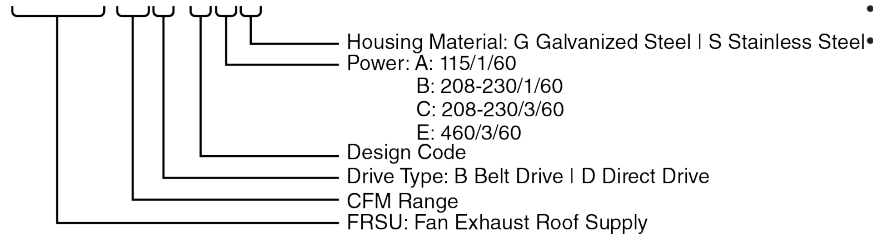
## MAKEUP AIR ROOF SUPPLY FANS



### YMGI Model Nomenclature

**Model Number:**

FRMS-10B-OBG



### Applications include:

- Factory Supply
- Low noise Industry
- Restaurant Supply
- Agricultural

**YMGI Group**  
 601 Arrow Ln, O'Fallon, Missouri 63366  
 Phone: 1-866-833-3138  
 Fax: 1-866-377-3355  
 ymgigroup.com  
 sales@ymgigroup.com

Sales Representative or Distributor: