



Submittal Data Sheet: FRUE-10B Models

UPBLAST ROOF FAN



FRUE-10B Models

Job Name:		Tag #:	
Location		Date:	
Engineer:		Approval:	
Submitted to:		Unit #:	
Submitted by:		Drawing #:	
Reference		PO #:	

YMGI Upblast Roof Fans offer the latest features, and are designed to provide efficient and reliable operation for commercial industries. State-of-the-art manufacturing techniques include laser cut, extruded, and die cast parts, precision welding, and strict quality control testing to ensure years of trouble free use.

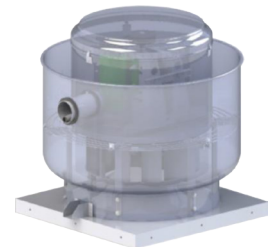
FRUE-10B Series

Made from laser cut aluminum alloy to ensure precision fit. The aluminum alloy base allows for easy installation. Galvanized steel driver cover can be opened without tools, for easy cleaning and maintenance. Each model has a unique motor bracket design, based on the motor orientation, and transmission type.

Features:

- Designed for high temperature environments
- Aluminum Alloy components
- Most advanced blower motor cooling in it's class.
- Direct Drive and Belt Drive models
- Anti-explosion type is available
- ISO 9001:2018 controllable standard
- UL 762 test grant

Different environments require different impeller materials. We offer carbon steel, stainless steel and aluminum alloy impellers. Impellers are built using laser cut and die cast parts. The impeller surface has an industrial strength coating for durability. Impeller balance test grades are in strict accordance with the G4.0 ISO1940. This series, roof blowers use an aluminum alloy wheel.



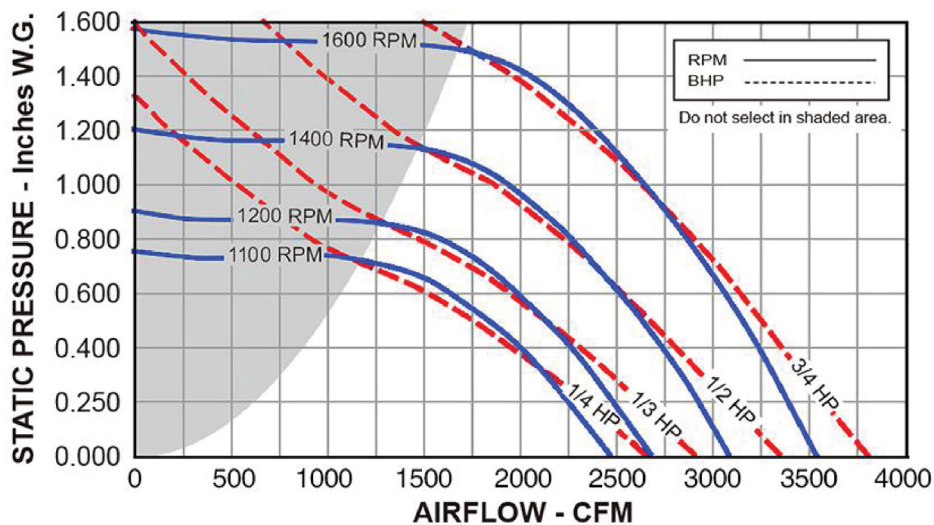
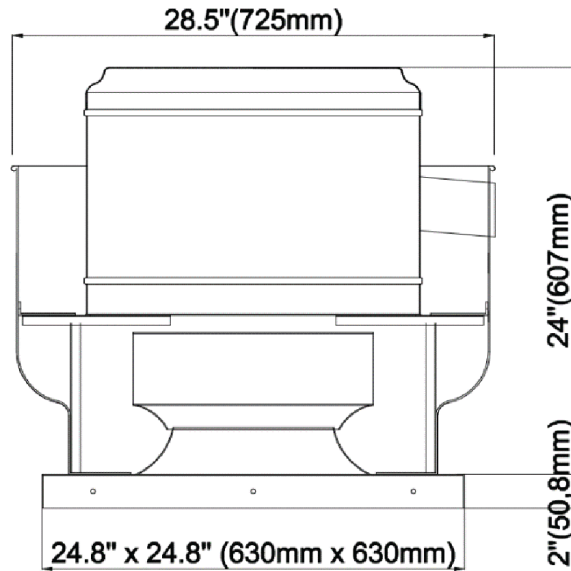
Model	AC motor 1Ø	AC motor 3Ø	HP	Fan Speed
FRUE-10B-0AA	220V/50Hz or 60Hz	380V/50Hz or 60Hz	0.33HP	1050RPM
	120V/60Hz	230V/50Hz or 60Hz	0.33HP	
FRUE-10B-0BA	220V/50Hz or 60Hz	380V/50Hz or 60Hz	0.50HP	1250RPM
	120V/60Hz	230V/50Hz or 60Hz	0.50HP	
FRUE-10B-0CA	220V/50Hz or 60Hz	380V/50Hz or 60Hz	0.75HP	1400RPM
	120V/60Hz	230V/50Hz or 60Hz	0.75HP	
FRUE-10B-0DA	220V/50Hz or 60Hz	380V/50Hz or 60Hz	1HP	1720RPM
	120V/60Hz	230V/50Hz or 60Hz	1HP	

CFM	Static Pressure in Inches W.G.									
	0		0.25		0.5		0.75		1	
	RPM		RPM		RPM		RPM		RPM	
	Sone	BHP	Sone	BHP	Sone	BHP	Sone	BHP	Sone	BHP
1125					860	0.14				
1375					970	0.18	11	0.26	12.6	0.36
1625			970	0.15	11	0.24	12.2	0.33	14.5	0.43
1875	900		1093		1100		1200			
	8.3	0.13	10.9	0.21	14	0.31	15.2	0.41		
2125	1000		1150		1240					
	11.6	0.2	14.4	0.29	15.2	0.39				
2375	1140		1200		1350					
	14.6	0.28	16.9	0.39	18.1	0.5				
2625	1300									
	18.4	0.4								



Submittal Data Sheet: FRUE-10B Models

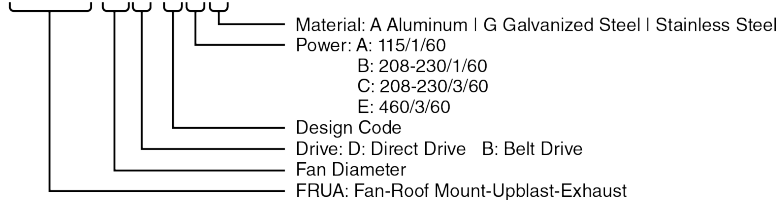
UPBLAST ROOF FAN



YMGI Model Nomenclature

Model Number:

FRUE-10D-OAA



Applications:

- Factory Exhaust
- Low noise Industry
- Restaurant Grease Exhaust
- Agricultural area

YMGI Group

601 Arrow Ln, O'Fallon, Missouri 63366
 Phone: 1-866-833-3138
 Fax: 1-866-377-3355
 ymgigroup.com
 sales@ymgigroup.com

Sales Representative or Distributor: