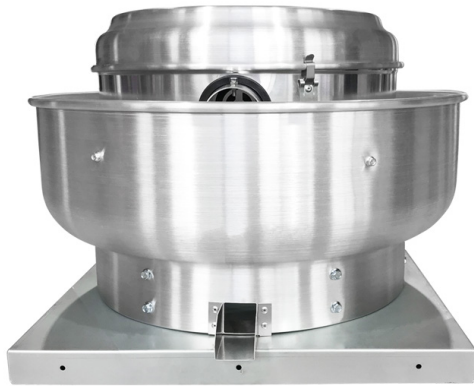




## Submittal Data Sheet: FRUE-10D Models

### UPBLAST ROOF FAN

Job Name:		Tag #:	
Location		Date:	
Engineer:		Approval:	
Submitted to:		Unit #:	
Submitted by:		Drawing #:	
Reference		PO #:	



**FRUE-10D Models**

### Features:

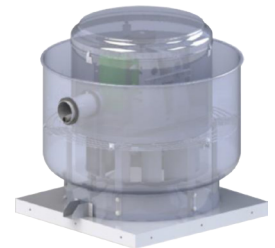
- Designed for high temperature environments
- Aluminum Alloy components
- Most advanced blower motor cooling in it's class.
- Direct Drive and Belt Drive models
- Anti-explosion type is available
- ISO 9001:2018 controllable standard
- UL 762 test grant

YMGI Upblast Roof Fans offer the latest features, and are designed to provide efficient and reliable operation for commercial industries. State-of-the-art manufacturing techniques include laser cut, extruded, and die cast parts, precision welding, and strict quality control testing to ensure years of trouble free use.

### FRUE-10D Series

Made from laser cut aluminum alloy to ensure precision fit. The aluminum alloy base allows for easy installation. Galvanized steel driver cover can be opened without tools, for easy cleaning and maintenance. Each model has a unique motor bracket design, based on the motor orientation, and transmission type.

Different environments require different impeller materials. We offer carbon steel, stainless steel and aluminum alloy impellers. Impellers are built using laser cut and die cast parts. The impeller surface has an industrial strength coating for durability. Impeller balance test grades are in strict accordance with the G4.0 ISO1940. This series, roof blowers use an aluminum alloy wheel.

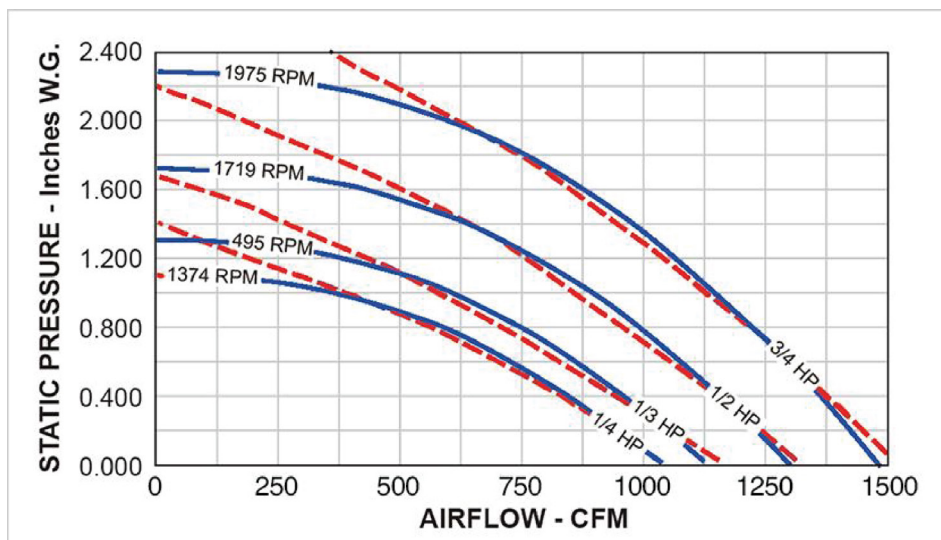
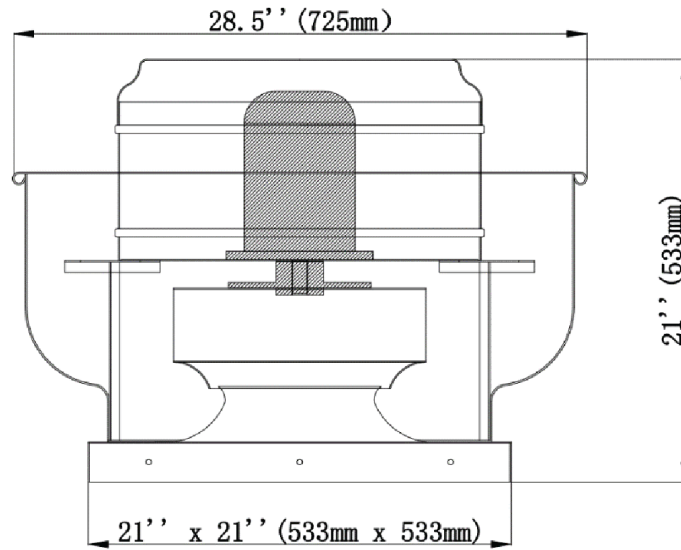


Model	AC motor 1Ø	AC motor 3Ø	HP	Fan Speed
<b>FRUE-10D-0AA</b> <b>FRUE-10D-0BA</b> <b>FRUE-10D-0CA</b>	220V/60Hz	None	0.33HP	1720rpm
	120V/60Hz	None	0.33HP	

CFM	Static Pressure in Inches W.G.							
	0		0.25		0.5		0.75	
	RPM		RPM		RPM		RPM	
	Sone	BHP	Sone	BHP	Sone	BHP	Sone	BHP
788					1400		1470	
					11.4	0.3	11.9	0.34
988			1410		1535		1755	
			12.1	0.27	13.2	0.36	15.5	0.5
1050	1440		1495		1630			
	13	0.28	13.3	0.33	14.3	0.42		
1200	1535		1688					
	14.3	0.34	15.3	0.45				
1338	1720							
	16.6	0.48						



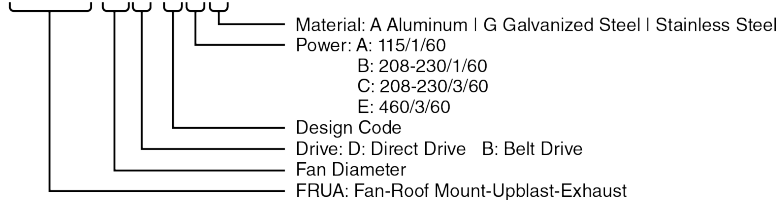
UPBLAST ROOF FAN



**YMGI Model Nomenclature**

Model Number:

FRUE-10D-OAA



**Applications:**

- Factory Exhaust
- Low noise Industry
- Restaurant Grease Exhaust
- Agricultural area

**YMGI Group**  
 601 Arrow Ln, O'Fallon, Missouri 63366  
 Phone: 1-866-833-3138  
 Fax: 1-866-377-3355  
 ymgigroup.com  
 sales@ymgigroup.com

Sales Representative or Distributor: