



Submittal Data Sheet: FRUE-14B Models

UPBLAST ROOF FAN



FRUE-14B Models

Features:

- Designed for high temperature environments
- Aluminum Alloy components
- Most advanced blower motor cooling in it's class.
- Direct Drive and Belt Drive models
- Anti-explosion type is available
- ISO 9001:2018 controllable standard
- UL 762 test grant

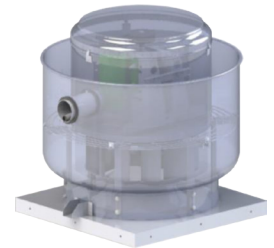
Job Name:		Tag #:	
Location		Date:	
Engineer:		Approval:	
Submitted to:		Unit #:	
Submitted by:		Drawing #:	
Reference		PO #:	

YMGI Upblast Roof Fans offer the latest features, and are designed to provide efficient and reliable operation for commercial industries. State-of-the-art manufacturing techniques include laser cut, extruded, and die cast parts, precision welding, and strict quality control testing to ensure years of trouble free use.

FRUE-14B Series

Made from laser cut aluminum alloy to ensure precision fit. The aluminum alloy base allows for easy installation. Galvanized steel driver cover can be opened without tools, for easy cleaning and maintenance. Each model has a unique motor bracket design, based on the motor orientation, and transmission type.

Different environments require different impeller materials. We offer carbon steel, stainless steel and aluminum alloy impellers. Impellers are built using laser cut and die cast parts. The impeller surface has an industrial strength coating for durability. Impeller balance test grades are in strict accordance with the G4.0 ISO1940. This series, roof blowers use an aluminum alloy wheel.

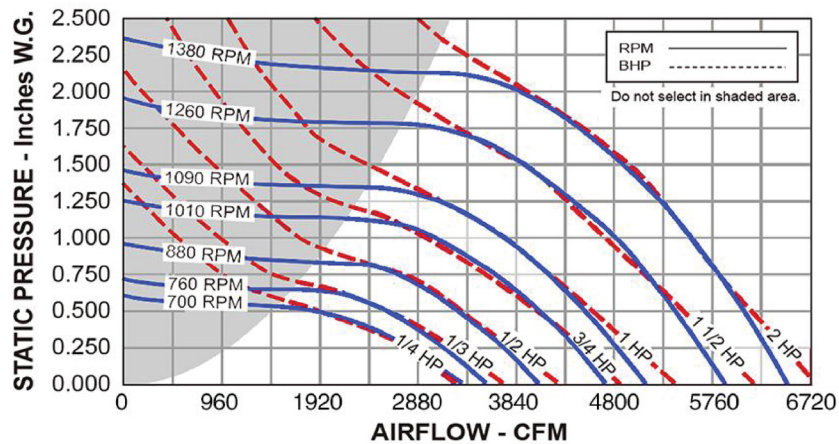
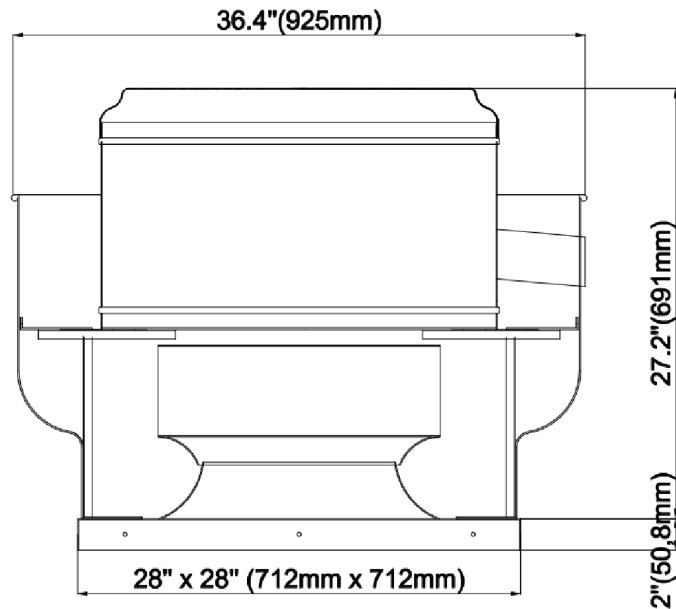


Model	AC motor 1Ø		AC motor 3Ø		HP		Fan Speed	
	220V/50Hz or 60Hz	120V/60Hz	460V/50Hz or 60Hz	230V/50Hz or 60Hz	0.33HP	0.33HP	850 RPM	
FRUE-14B-0AA FRUE-14B-0BA FRUE-14B-0CA FRUE-14B-0EA	220V/50Hz or 60Hz	120V/60Hz	460V/50Hz or 60Hz	230V/50Hz or 60Hz	0.50HP	0.50HP	1000 RPM	
	220V/50Hz or 60Hz	120V/60Hz	460V/50Hz or 60Hz	230V/50Hz or 60Hz	0.75HP	0.75HP	1130 RPM	
	220V/50Hz or 60Hz	120V/60Hz	460V/50Hz or 60Hz	230V/50Hz or 60Hz	1.0HP	1.0HP	1400 RPM	
	220V/50Hz or 60Hz	120V/60Hz	460V/50Hz or 60Hz	230V/50Hz or 60Hz	1.5HP	1.5HP	1620 RPM	

CFM	Static Pressure in Inches W.G.																		
	0.000 RPM		0.250 RPM		0.500 RPM		0.750 RPM		1.000 RPM		1.250 RPM		1.500 RPM		1.750 RPM		2.000 RPM		
	Sone	BHP	Sone	BHP	Sone	BHP	Sone	BHP	Sone	BHP	Sone	BHP	Sone	BHP	Sone	BHP	Sone	BHP	
1375							8.2	0.23											
1625							9.20	0.25	12	0.36									
1875							8.8	0.28	12.4	0.39	14.5	0.51	15.2	0.64					
2125					8.3	0.23	9.6	0.32	12.6	0.43	14.7	0.55	15.3	0.69	16.3	0.83	17.6	0.99	
2375					8.64	0.27	10.8	0.37	12.5	0.49	14.8	0.61	15.4	0.74	16.5	0.89	17.6	1.05	
2625				8.12	0.22	10.2	0.32	13.2	0.43	13.6	0.55	14.9	0.67	15.6	0.81	16.7	0.96	17.8	1.11
2875				9.01	0.27	12.6	0.38	14	0.5	15.9	0.62	15.8	0.75	16	0.89	17.1	1.04	18.2	1.2
3125	8.78	0.23	9.73	0.33	10.66	0.45	15.4	0.57	17.5	0.7	17.3	0.84	17.1	0.98	17.5	1.13	18.6	1.29	
3375	9.58	0.29	10.45	0.4	11.32	0.52	17.5	0.66	18.6	0.79	19.6	0.94	18.8	1.09	18.7	1.24	19.3	1.4	
3625	10.38	0.36	11.18	0.48	12.00	0.61	18.7	0.75	19.7	0.89	21	1.04	22	1.2	21	1.36			
3875	11.18	0.44	11.93	0.57	12.69	0.71	20	0.85	21	1.01	22	1.16	23	1.33	24	1.49			
4125	11.97	0.54	12.68	0.67	13.39	0.82	22	0.97	22	1.13	23	1.3	24	1.47					
4375	12.77	0.65	13.43	0.79	14.11	0.94	23	1.1	24	1.27	25	1.44							
4625	13.57	0.77	14.19	0.91	14.83	1.07	25	1.24	25	1.42									
4875	14.36	0.9	14.96	1.06	15.56	1.22	27	1.4											



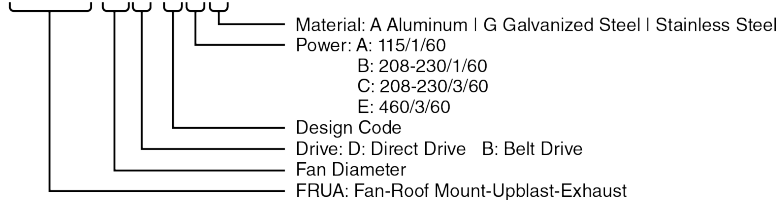
UPBLAST ROOF FAN



YMGI Model Nomenclature

Model Number:

FRUE-10D-OAA



Applications:

- Factory Exhaust
- Low noise Industry
- Restaurant Grease Exhaust
- Agricultural area

YMGI Group
 601 Arrow Ln, O'Fallon, Missouri 63366
 Phone: 1-866-833-3138
 Fax: 1-866-377-3355
 ymgigroup.com
 sales@ymgigroup.com

Sales Representative or Distributor: