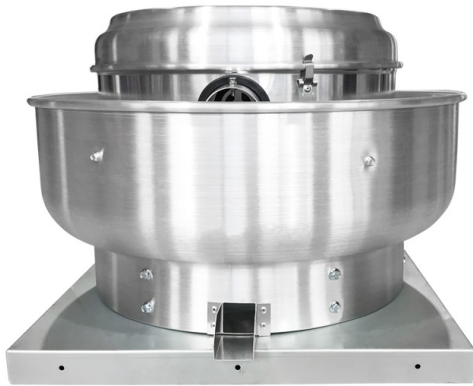




Submittal Data Sheet: FRUE-14D Models

UPBLAST ROOF FAN



FRUE-14D Models

Features:

- Designed for high temperature environments
- Aluminum Alloy components
- Most advanced blower motor cooling in it's class.
- Direct Drive and Belt Drive models
- Anti-explosion type is available
- ISO 9001:2018 controllable standard
- UL 762 test grant

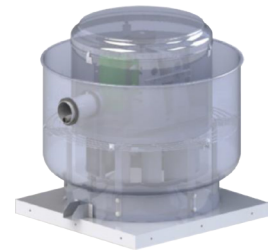
Job Name:		Tag #:	
Location		Date:	
Engineer:		Approval:	
Submitted to:		Unit #:	
Submitted by:		Drawing #:	
Reference		PO #:	

YMGI Upblast Roof Fans offer the latest features, and are designed to provide efficient and reliable operation for commercial industries. State-of-the-art manufacturing techniques include laser cut, extruded, and die cast parts, precision welding, and strict quality control testing to ensure years of trouble free use.

FRUE-14D Series

Made from laser cut aluminum alloy to ensure precision fit. The aluminum alloy base allows for easy installation. Galvanized steel driver cover can be opened without tools, for easy cleaning and maintenance. Each model has a unique motor bracket design, based on the motor orientation, and transmission type.

Different environments require different impeller materials. We offer carbon steel, stainless steel and aluminum alloy impellers. Impellers are built using laser cut and die cast parts. The impeller surface has an industrial strength coating for durability. Impeller balance test grades are in strict accordance with the G4.0 ISO1940. This series, roof blowers use an aluminum alloy wheel.

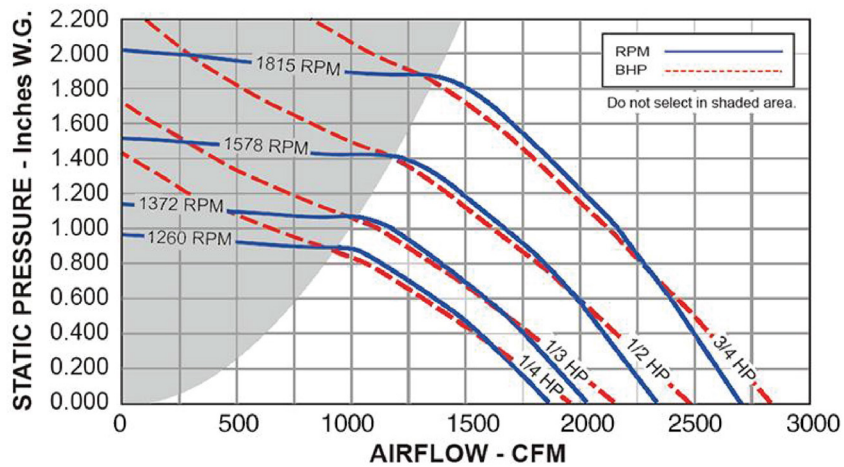
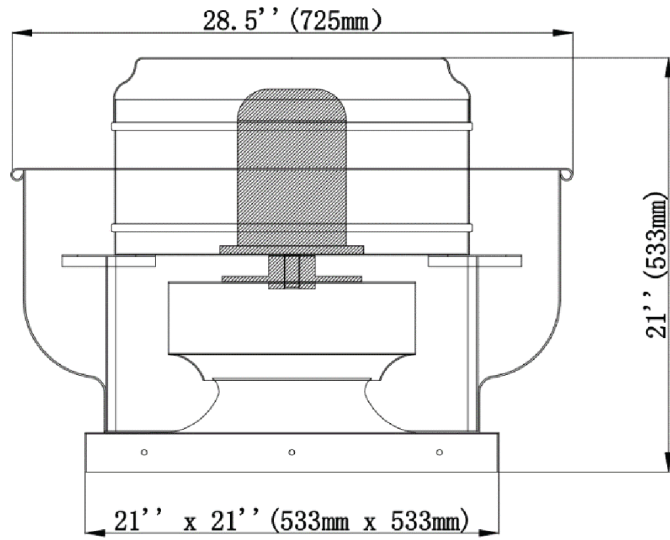


Model	AC motor 1Ø	AC motor 3Ø	HP	Fan Speed
FRUE-14D-0AA FRUE-14D-0BA FRUE-14D-0CA	220V/60Hz	380V/60Hz	0.5HP	1720 rpm
	120V/60Hz	230V/60Hz	0.5HP	

CFM	Static Pressure in Inches W.G.											
	0		0.25		0.5		0.75		1		1.25	
	RPM		RPM		RPM		RPM		RPM		RPM	
	Sone	BHP	Sone	BHP	Sone	BHP	Sone	BHP	Sone	BHP	Sone	BHP
1125	1100											
					9.9	0.18			13.3	0.32	14.2	0.45
1874	1372											
	13.5	0.25	14.2	0.31	15.3	0.4	15.8	0.51	15.8	0.6	16.7	0.72
2158	1454											
	15.9	0.39	16.8	0.43	17.8	0.68	17.4	0.65				
2425	1610											
	16.5	0.5	18.3	0.59								
2563	1736											
	18.6	0.71										



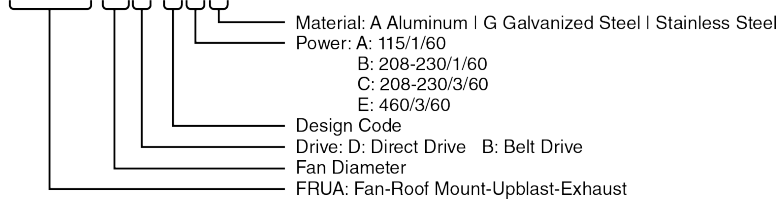
UPBLAST ROOF FAN



YMGI Model Nomenclature

Model Number:

FRUE-10D-OAA



Applications:

- Factory Exhaust
- Low noise Industry
- Restaurant Grease Exhaust
- Agricultural area

YMGI Group

601 Arrow Ln, O'Fallon, Missouri 63366
 Phone: 1-866-833-3138
 Fax: 1-866-377-3355
 ymgigroup.com
 sales@ymgigroup.com

Sales Representative or Distributor: